

AL-F7

Product Manual

English

Instructions

For safety, please do not leave the product in excessive heat or expose to moist conditions.

WARNING: Avoid storing the fixture where there are corrosive chemicals.

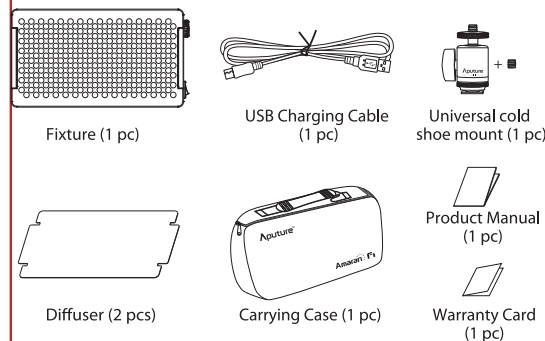
Please have the product checked by an authorized service or agent if your product has a problem. Disassembling this unit will void all warranties.

The product is certificated by RoHS and CE. Please operate the product in full compliance with the operation standards. Please note that this warranty does not apply to repairs arising from malfunction, although you may request such repairs.

The instructions and information in this manual are based on thorough, controlled company testing procedures. Product design is subject to change without notice.

Packing list

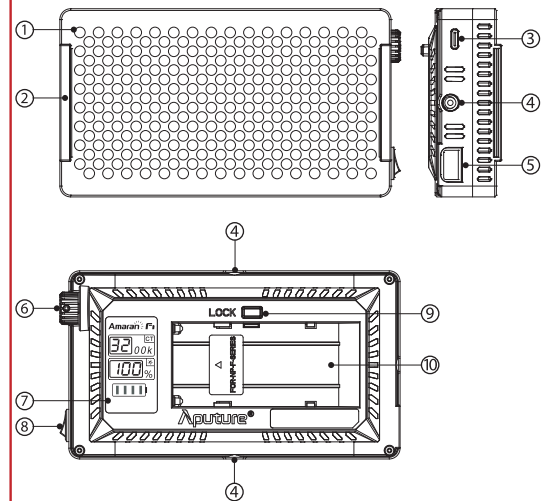
Package includes the following items:



-1-

Nomenclature

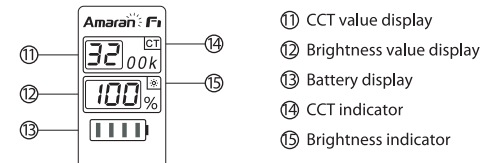
1. Fixture



- ① LED beads
- ② Diffuser snap joints
- ③ USB Type-C charging port
- ④ 1/4 fixed screw hole
- ⑤ D-TAP port
- ⑥ CCT/Brightness adjustment knob
- ⑦ Display window
- ⑧ Power switch
- ⑨ Battery latch
- ⑩ Lithium Battery Slot

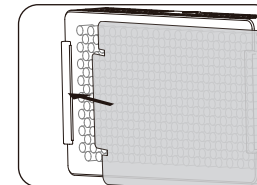
-2-

2. Display window

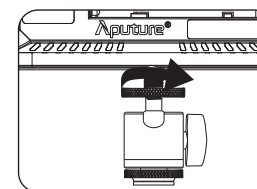


Installation

1. Install the diffuser on the fixture.



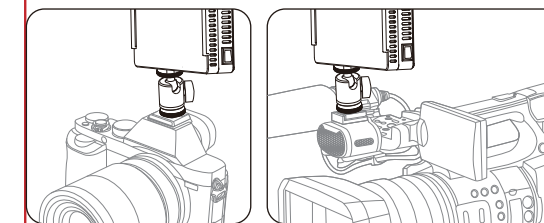
2. Place the fixture on the universal cold shoe mount, then screw clockwise.



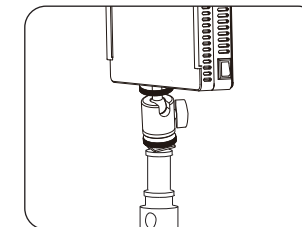
-3-

3. Diagram

1). Install the fixture onto the cold shoe.



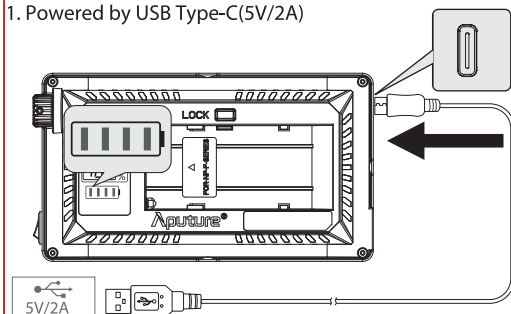
2). Use the thumbscrew to install the lamp with 1/4 screw into light stand's screw mount.



-4-

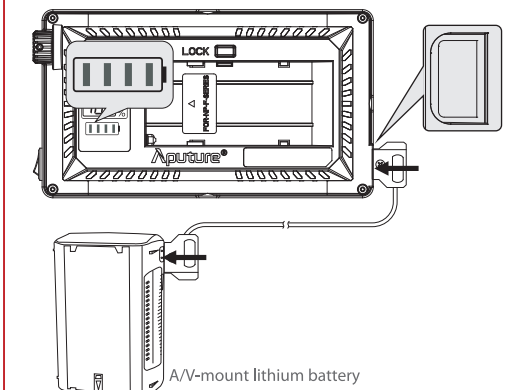
Power supply

1. Powered by USB Type-C(5V/2A)



* USB Type-C power supply, input power: 9W.

2. Powered by D-TAP

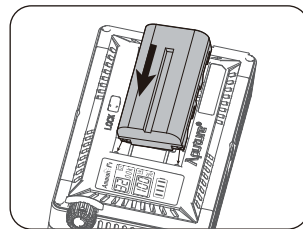


* D-TAP input voltage: 12V-16.8V.

-5-

3. Powered by Lithium battery

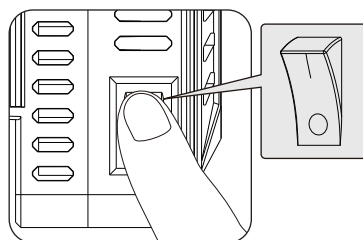
Place the battering into the battery port as shown.



* Usable batteries include: Sony NP-F Series: NP-F550/F570/F770/F960/F970.

Operations

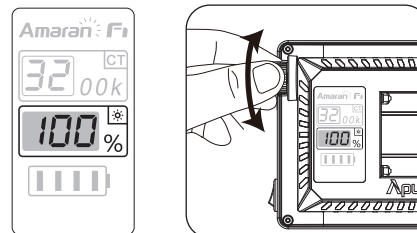
1. Power ON/OFF



-6-

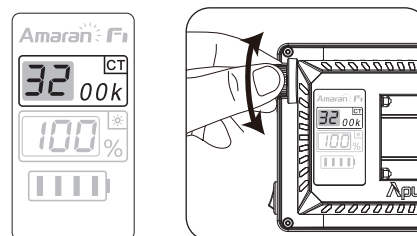
2. Adjust the Brightness

- 1). Short press the knob to select brightness adjustment when the corresponding display indicator is on.
- 2). Rotate the knob to adjust brightness.



3. Adjust the Color temperature

- 1). Short press the knob to select CCT adjustment when the corresponding display indicator is on.
- 2). Rotate the knob to adjust CCT from 3200K-9500K.



-7-

4. Battery capacity Display

- 1). Battery indicators fully lights on when using USB Type-C or D-TAP.



2). Battery symbol will display remaining capacity in real-time.

- a). Full lithium battery capacity, 4 BATTERY capacity indicators lights on;
- b). Lithium battery capacity 75%, 3 BATTERY capacity indicators lights on;
- c). Lithium battery capacity 50%, 2 BATTERY capacity indicators lights on;
- d). Lithium battery capacity 25%, 1 BATTERY capacity indicator lights on;
- e). Lithium battery capacity less than 5%, 1 BATTERY indicator blinks.

*Red indicator blinks

*For maximum battery life (>3 hours), we recommend the Sony NP-F970 battery.

3). When multi-power supply is working at the same time, the priority of multi-power supply is, D-TAP prior to Sony NP-F Series, and Sony NP-F Series prior to USB Type-C.

-8-

Specifications

| | | | | | | |
|-------------------|--------------------|-----------|----------------|----------|---------|---------|
| Color Temperature | 3200K-9500K | | | | | |
| CRI | >95 | | | | | |
| TLCI | >95 | | | | | |
| Illuminance | Distance | 0.3 m | 0.5 m | 1 m | 2 m | 3 m |
| | Brightness | ≥14000LUX | ≥5500LUX | ≥1500LUX | ≥400LUX | ≥180LUX |
| Glow angle | 45° | | Number of LEDs | | 256 | |
| Voltage | DC 5-18V | | | | | |
| Power | 15W | | | | | |
| Dimension | 158.0*87.0*34.0 mm | | | | | |

-9-