

DT 109

Headset with dynamic Microphone



FEATURES

- Highly sensitive headphone and microphone transducers
- Excellent ambient noise attenuation
- Capable of handling very high SPL
- Rugged construction
- Excellent comfort for long-term wearing
- Modular construction for easy servicing

APPLICATIONS

For many years, the DT 109 has been the standard headphone /microphone combination for live, remote broadcasting, studio, film, TV and language laboratory application. Rugged, field-servicable construction. The headphone transducers feature extended frequency response. Adjustable, noise-cancelling microphone provides clear, audible speech transmission.

VERSIONS

DT 109	Headset, 200/50 Ω , grey	Order # 101.877
DT 109	same as above, but black	Order # 402.974
DT 109	Headset, 200/400 Ω , grey	Order # 101.885
DT 109	same as above, but black	Order # 402.982

OPTIONAL ACCESSORIES

K 109.00	Bare-ended straight cable, 1.5 m long	Order # 101.907
K 109.00	Bare-ended straight cable, 3 m long	Order # 127.949
K 109.28	Straight cable with 4-pin XLR-socket, 3 m long	Order # 220.132
K 109.38	Straight cable with 5-pin XLR-plug, 1.5 m long	Order # 406.538
K 109.40	Straight cable with 3-pin XLR-plug and 1/4" jack (6.35 mm), 1.5 m long	Order # 449.121
K 109.42	Straight cable with 4-pin XLR-plug, 1.5 m long	Order # 446.548
WK 109.00	Bare-ended coiled cable, 3 m long	Order # 198.900

TECHNICAL SPECIFICATIONS

Headphone

Transducer type	Dynamic
Operating principle	Closed
Frequency response	30 - 20,000 Hz
Nominal impedance	400 Ω \pm 10% per cartridge*
Nominal SPL at 1 kHz	94 dB
T.H.D.	< 1%
Power handling capacity	1000 mW \triangleq 124 dB
Ambient noise attenuation	approx. 20 dBA
Sound coupling to the ear	Circumaural
Headband pressure	approx. 4.5 N
Weight (without cable)	390 g

Microphone

Transducer type	Dynamic
Operating principle	Pressure gradient
Frequency response	40 - 12,000 Hz
Polar pattern	Hypercardioid
Output voltage	approx. 2.5 mV at a distance of 5 cm
Nominal impedance	200 Ω
Load impedance	\geq 1000 Ω

*more impedances available

SPARE PARTS

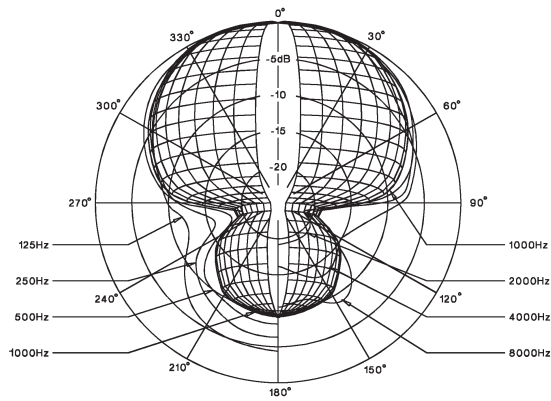
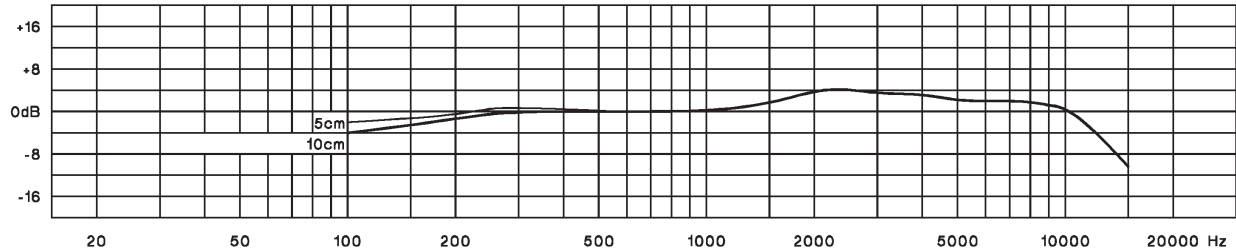
EDT 100 S	Ear pads, soft PVC, circumaural	Order # 907.003
EDT 100 P	Ear pads, plush, circumaural	Order # 945.576
EDT 100 T	Ear pads, cotton jersey, circumaural	Order # 945.584
BN 59-18/A	Headband pad	Order # 108.715
BN 56-79/A	Pop shield (5 pcs.)	Order # 108.677

DT 109

FREQUENCY RESPONSE & POLAR PATTERN

This frequency response curve (measuring tolerance ± 2.5 dB) and polar pattern correspond to a typical production sample for this microphone.

Frequency response curve ± 2.5 dB 0 dB = 2.5 mV at a distance of 5 cm



WIRING DIAGRAM

