



# COMPACT-SERVO 18-80MM T4.4 EF

CN-E18-80MM T4.4 L IS KAS S



# INTRODUCING A NEW VIDEO SHOOTING STYLE FROM CANON

The COMPACT-SERVO 18–80mm T4.4 EF-mount lens<sup>†</sup> combines the benefits of compact size (3.68" W x 4.22" H x 7.18" L) and light weight (2.65 lbs.) for improved mobility, supporting diverse video shooting styles and opening the door to the world of imaging expression.

Designed to shoot video, this lens can be ideal for the cinematographer moving up from our EF lenses, combining the functionality of our EF lenses with the 4K optical performance, usability and video shooting features of our Cinema lenses. Acknowledging the need to control zoom, focus and iris/aperture, Canon has developed this zoom lens with full external servo control, and an optional ZSG-C10 grip designed exclusively for this lens makes it easier to operate the lens, helping to support a wider range of shooting styles such as shoulder mount ENG style.

The combination of the features and functionality of the COMPACT-SERVO 18–80mm T4.4 EF makes it an ideal choice for a wide range of professional video shooting environments including drama, documentary and other video productions.



## LENS DESIGN OPTIMIZED FOR VIDEO ACQUISITION

### Covers 18–80mm Focal Length with Servo Control Capability

The lens is equipped with an electronic zoom that delivers smooth, quiet and stable zooming from high speed to low speed across the entire 18–80mm zoom range. A conventional broadcast-use controller can be used to control the zoom when mounted to a tripod, expanding the possibilities of video shooting. Focus is maintained throughout the zoom range (parfocal), while the T-stop remains constant throughout entire focal length range.

### High-level 4K Optical Performance

Designed to fulfill contemporary 4K production standards, the lens provides superb optical performance with 4K support through the entire zoom range, from the center to the perimeter of the image. The lens also features the same color characteristics as our existing Cinema lenses.

### No-step Iris Mechanism for Motion Picture Shooting

Smooth, no-step iris operation can be controlled manually or electronically. The iris can be closed at the minimum aperture. The lens also features a 9-blade iris diaphragm to help create beautiful blur and soft shafts of light for cinematographic expression.



9 blades



6 blades

### Focus Breathing

Featuring zoom and focus mechanisms suitable for video shooting, the variance in angle of view during focusing is minimized.



# SERVO CAPABILITY IN A COMPACT, LIGHTWEIGHT DESIGN

## Newly Developed Servo Drive Unit

The newly developed servo drive unit allows you to control zoom, focus and iris over servo. The drive unit is also compatible with industry-standard lens controllers including Canon's standard broadcast lens controllers (ZSD-300D/FPD-400D). Power for the drive unit can be provided via the camera mount\*.

## Compact and Lightweight for Increased Mobility and Versatility

The compact, lightweight body (2.65 lbs.) with a front diameter of 3.31" (84mm) and a length of 7.18" (182.3mm) help make the lens suitable for single-user operation, without compromising powerful 4K optical performance by combining the functionality of our EF lenses with the video shooting features of our Cinema lenses.



## Supports a Wide Range of Accessories

The lens is compatible with cinema follow focus (gear module 0.8mm) and 15-mm Rods Support System. The optional ZSG-C10 grip designed exclusively for this lens adds additional flexibility for the ENG style "run-and-gun" video shooter.



Optional ZSG-C10 Grip



COMPACT-SERVO 18-80mm T4.4 EF with Optional ZSG-C10 Grip

# ENHANCED COMPATIBILITY WITH OUR CINEMA EOS DIGITAL CAMERAS

## Autofocus Function\*

The lens is equipped with an ultrasonic motor (USM) to support Dual Pixel CMOS AF (Auto-Focus) and the Dual Pixel Focus Guide. This contributes greatly to reliability and mobility during 4K shooting.

**Dual Pixel CMOS AF**

## Image Stabilization\*

Featuring optical-shift image stabilization, this lens provides strong IS from low to high frequencies to help enable stable shooting whether the camera is used handheld, on the shoulder or on a tripod.

## EF Communication Functions Ideal for Video Shooting\*

The lens supports various EF communication functions via the electronic contacts of the EF mount. Perform peripheral illumination correction and lateral chromatic aberration correction, and use the remote controller to adjust the focus, zoom and aperture via camera interface, and display lens metadata (focal length, F-number, T-number, model name) on the camera.

**EF**

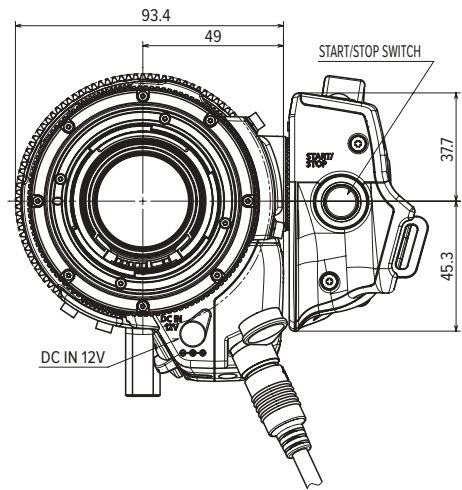
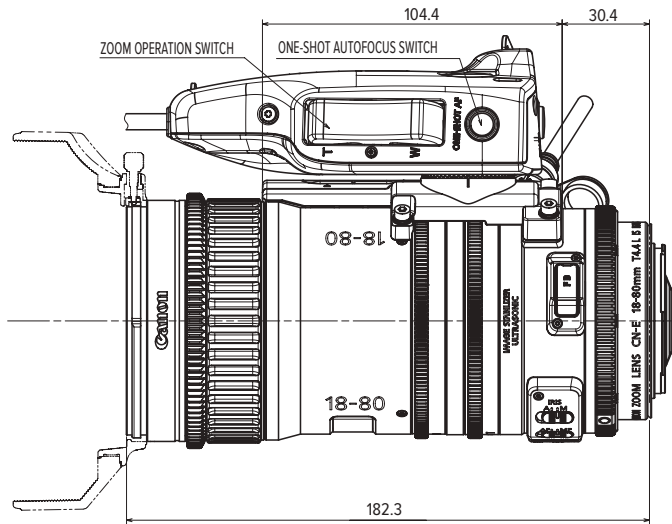
EF Mount Electronic Contact



\* These functions are enabled with compatible EF-mount camera models only, including Canon's Cinema EOS C300 Mark II and EOS C100 Mark II cameras.

## DIMENSIONS (COMPACT-SERVO 18-80mm T4.4 EF with Optional ZSG-C10 Grip)

unit: mm



## SPECIFICATIONS

Model Name	CN-E18-80mm T4.4 L IS KAS S	
Mount	EF	
Image Coverage	Super 35	
Image Circle	31.4mm	
Focal Length	18-80mm	
Zoom Ratio	4.4x	
Maximum Relative Aperture	T4.4 (F4) at 18-80mm	
Angular Field of View	Aspect Ratio 1.78:1 Dimensions 24.6 x 13.8mm	68.7° x 41.9° at 18mm 17.5° x 9.9° at 80mm
	Aspect Ratio 1.9:1 Dimensions 26.2 x 13.8mm	72.1° x 41.9° at 18mm 18.6° x 9.9° at 80mm

Minimum Object Distance from Image Sensor	0.5m (1.7 ft.)	
Object Dimensions at M.O.D.	Aspect Ratio 1.78:1 Dimensions 24.6 x 13.8mm	43.4 x 24.3cm at 18mm 9.5 x 5.3cm at 80mm
	Aspect Ratio 1.9:1 Dimensions 26.2 x 13.8mm	46.2 x 24.3cm at 18mm 10.1 x 5.3cm at 80mm
Front Diameter	ø84mm	
Filter Size	ø77mm	
Approx. Dimensions (W x H x L)	93.4 x 107.2 x 182.3mm	
Approx. Mass without ZSG-C10	1.2kg (2.65 lbs.)	

M.O.D. = Minimum Object Distance



[pro.usa.canon.com/support](http://pro.usa.canon.com/support)  
1-800-OK-CANON (1-800-652-2666)

\* As of April 13th, 2016, at time of printing, the COMPACT-SERVO 18-80mm T4.4 lens has not been authorized as required by the rules of the Federal Communications Commission. This device is not, and may not be offered for sale or lease, or sold or leased, until authorization is obtained.

© 2016 Canon U.S.A., Inc. All rights reserved. Not responsible for typographical errors. Specifications subject to change without notice. Products not shown to scale. Certain images and effects are simulated. Canon is a registered trademark of Canon Inc. in the United States and may also be a trademark or registered trademark in other countries. All other products and brand names may be registered trademarks, trademarks or service marks of their respective owners in the United States and/or other countries.

Canon U.S.A., Inc.  
One Canon Park  
Melville, NY 11747 U.S.A.

Canon Hollywood  
Professional Technology and Support Center  
6060 Sunset Boulevard  
Los Angeles, CA 90028 U.S.A.

For more info:  
[pro.usa.canon.com](http://pro.usa.canon.com)  
@CanonUSApro

0201W546 04/16  
PRINTED IN U.S.A.