


ENGLISH

 GENERAL SAFETY INFORMATION	4
Product Configuration	6
Names of Parts	7
F.B. (Back Focus) Adjustment	8
Available Accessories	10
Dimensions of Parts	12
Specifications	13
Appendix	
External view	apx. 2

The English version is the operation manual for counties other than Japan.

FCC REGULATIONS

This device complies with Part 15 of the FCC Rules. Operation is subject to the following two conditions: (1) This device may not cause harmful interference, and (2) this device must accept any interference received, including interference that may cause undesired operation.

Note: This equipment has been tested and found to comply with the limits for a Class B digital device, pursuant to Part 15 of the FCC Rules. These limits are designed to provide reasonable protection against harmful interference in a residential installation. This equipment generates, uses and can radiate radio frequency energy and, if not installed and used in accordance with the instructions, may cause harmful interference to radio communications. However, there is no guarantee that interference will not occur in a particular installation. If this equipment does cause harmful interference to radio or television reception, which can be determined by turning the equipment off and on, the user is encouraged to try to correct the interference by one or more of the following measures:

- Reorient or relocate the receiving antenna.
- Increase the separation between the equipment and receiver.
- Connect the equipment into an outlet on a circuit different from that to which the receiver is connected.
- Consult the dealer or an experienced radio/TV technician for help.

Do not make any changes or modifications to the equipment unless otherwise specified in the manual. If such changes or modifications should be made, you could be required to stop operation of the equipment.

Canadian Radio Interference Regulations

CAN ICES-3(B)/NMB-3(B)

European Union (and EEA) only.



This symbol indicates that this product is not to be disposed of with your household waste, according to the WEEE Directive (2002/96/EC) and your national law. This product should be handed over to a designated collection point, e.g., on an authorized one-for-one basis when you buy a new similar product or to an authorized collection site for recycling waste electrical and electronic equipment (EEE). Improper handling of this type of waste could have a possible negative impact on the environment and human health due to potentially hazardous substances that are generally associated with EEE. At

the same time, your cooperation in the correct disposal of this product will contribute to the effective usage of natural resources. For more information about where you can drop off your waste equipment for recycling, please contact your local city office, waste authority, approved WEEE scheme or your household waste disposal service.

Your cooperation in the correct disposal of this product will contribute to the effective usage of natural resources and will avoid incurring administrative sanctions according to art. 50 and following of Italian legislative decree 22/97.

For more information regarding return and recycling of WEEE products, please visit

www.canon-europe.com/environment.

(EEA: Norway, Iceland and Liechtenstein)

GENERAL SAFETY INFORMATION

The safety warnings and cautions provided on the product or in this operation manual must be observed.

Failure to observe these warnings and cautions provided to guard against hazards may result in injury or accident.

Read this operation manual carefully to familiarize yourself with its contents and ensure that you can operate the product properly.

Also, store this manual in a safe place where it can easily be referenced whenever required.

This operation manual uses the following symbols and terms to identify hazards to protect you and others by preventing the occurrence of accidents.

WARNING

This indicates a potentially hazardous situation which, if not heeded, may result in death or serious injury to you or others. Be sure to heed all warning notices to ensure safe operation at all times.

CAUTION

Indicates hazardous situations which, if not heeded, may result in minor or moderate injury to you or other persons, or damage to your property.

NOTE

Emphasizes essential information which, if not heeded, may render the product unworkable or cause it to function improperly.

Also, provides helpful information for operation.

HANDLING THE PRODUCT

WARNING

1. Do not stare at the sun or other source of high-intensity light through the lens. Doing so could injure your eyes.

CAUTION

1. Make sure all mountings are tightened securely. If any of these mountings becomes loose, the lens may fall, possibly causing injury.
2. Inspect all mountings periodically (about every 6 months to 1 year) to make sure they are securely tightened, and tighten any loose parts. Otherwise, the lens may fall, possibly causing injury.
3. If it becomes necessary to repair this product, or to perform any operations or adjustments not mentioned in this operation manual, contact Canon's representative or the dealer who originally supplied the lens.

NOTE

1. Protect the lens from strong impacts or shocks. Striking or dropping the lens may result in a malfunction.
2. Do not bring the lens, kept in a very cold ambient temperature, into a warm room, because the lens may fog on the inside or condensation may occur.

In these cases, the lens cannot be used until these problems clear.

If the lens must be used under such conditions, countermeasures are recommended.

MAINTENANCE AND INSPECTION

NOTE

1. Gently blow or brush away dust or dirt on the lens surface using a lens blower or a soft lens brush. Remove any fingerprints or other stains with a soft clean cotton cloth moistened with commercially available lens cleaning fluid or lens cleaning paper. Be careful not to rub dust across the lens, as the lens surface may be scratched.
2. A periodic inspection about once a year is recommended.
The inspection and maintenance interval depends on the operating conditions, the frequency of use, and the environment. If required, overhaul the lens.

STORAGE



CAUTION

1. Always attach the lens cap (or hood cap) and the dust cap before storing the lens. Storing the lens without these caps attached may present a fire hazard. (Very bright light, such as sunlight, may be focused by the lens and cause a fire.)

NOTE

1. If the lens becomes damp because of use in fog, mist, or drizzle, wipe off the moisture with a soft dry cloth and seal the lens together with an effective desiccant in a vinyl bag to remove moisture that has entered the interior.

TO THE CUSTOMER

1. Canon shall bear no responsibility for damage resulting from improper operation of this product by the customer.
2. Canon shall make no guarantees about the product quality, functions, or operation manual and its marketability and suitability for the customer's purpose. Moreover, Canon shall bear no responsibility for any damage, direct or incidental, that results from usage for the customer's purpose.
3. Canon shall make no guarantees about the results obtained using this product.
4. The product specifications, configuration, and appearance are subject to change without prior notice.
5. For further information on repairs, maintenance, or adjustments not mentioned in this operation manual, contact your Canon dealer or your Canon sales representative.
6. Note that Canon may be unable to undertake servicing or repair of a product if it is modified without consulting Canon or your Canon sales representative.

CANON INC.

30-2, Shimomaruko 3-chome, Ohta-ku, Tokyo 146-8501, Japan

Canon Europe Ltd

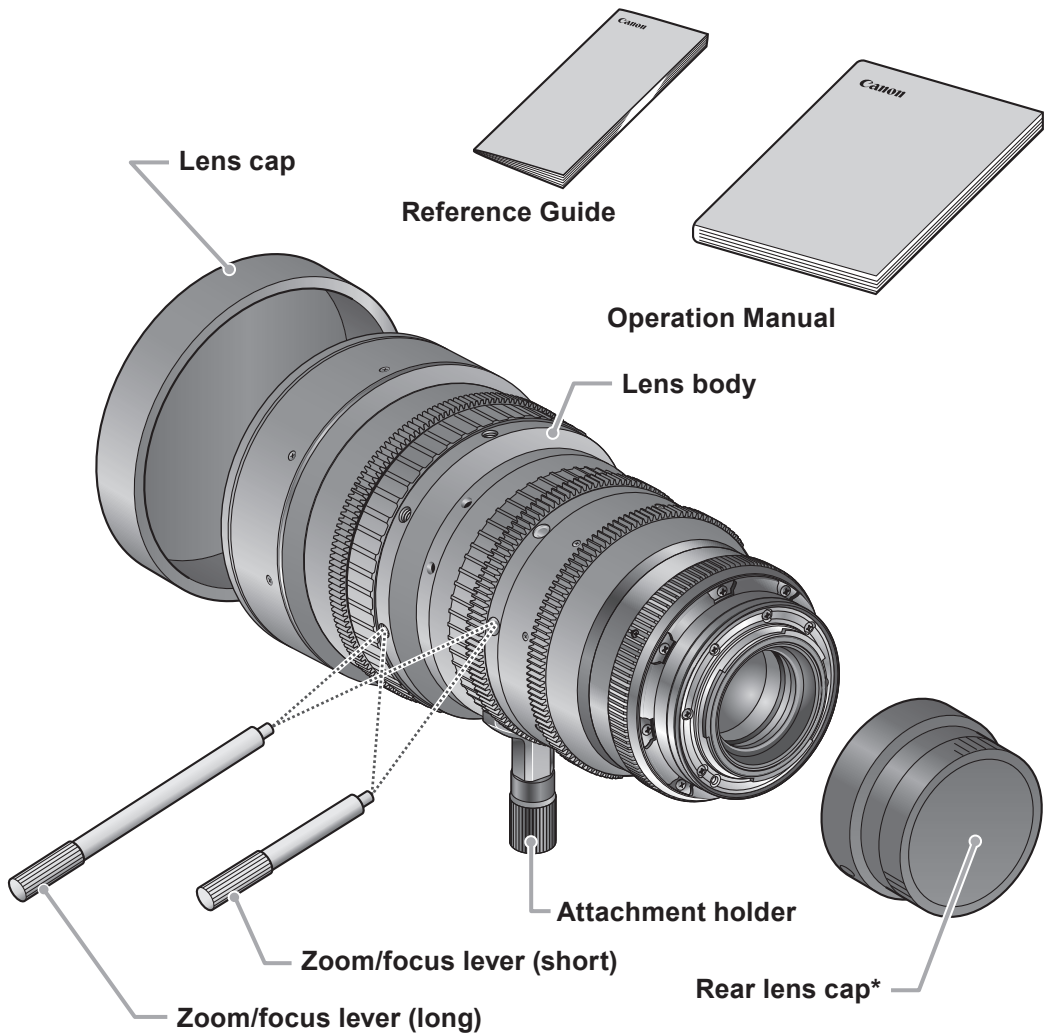
3 The Square, Stockley Park, Uxbridge, Middlesex, UB11 1ET UK

All rights reserved. No part of this operation manual may be reproduced or copied in any form or by any means without the written permission of Canon Inc.

Product Configuration

Two types of the CN-E30-105mm T2.8 L are available for the positive lock mount (S type) and the Canon EF mount (SP type). Figures in this manual are for the S type lens unless otherwise mentioned.

Lens body	1	Lens cap	1
Zoom/focus lever (short)	1	Rear lens cap	1
Zoom/focus lever (long)	1	Operation Manual	1
Attachment holder	1	Reference Guide	1



* The shape of the rear lens cap for the SP type differs from the figure above.

Names of Parts

Focus drive gear

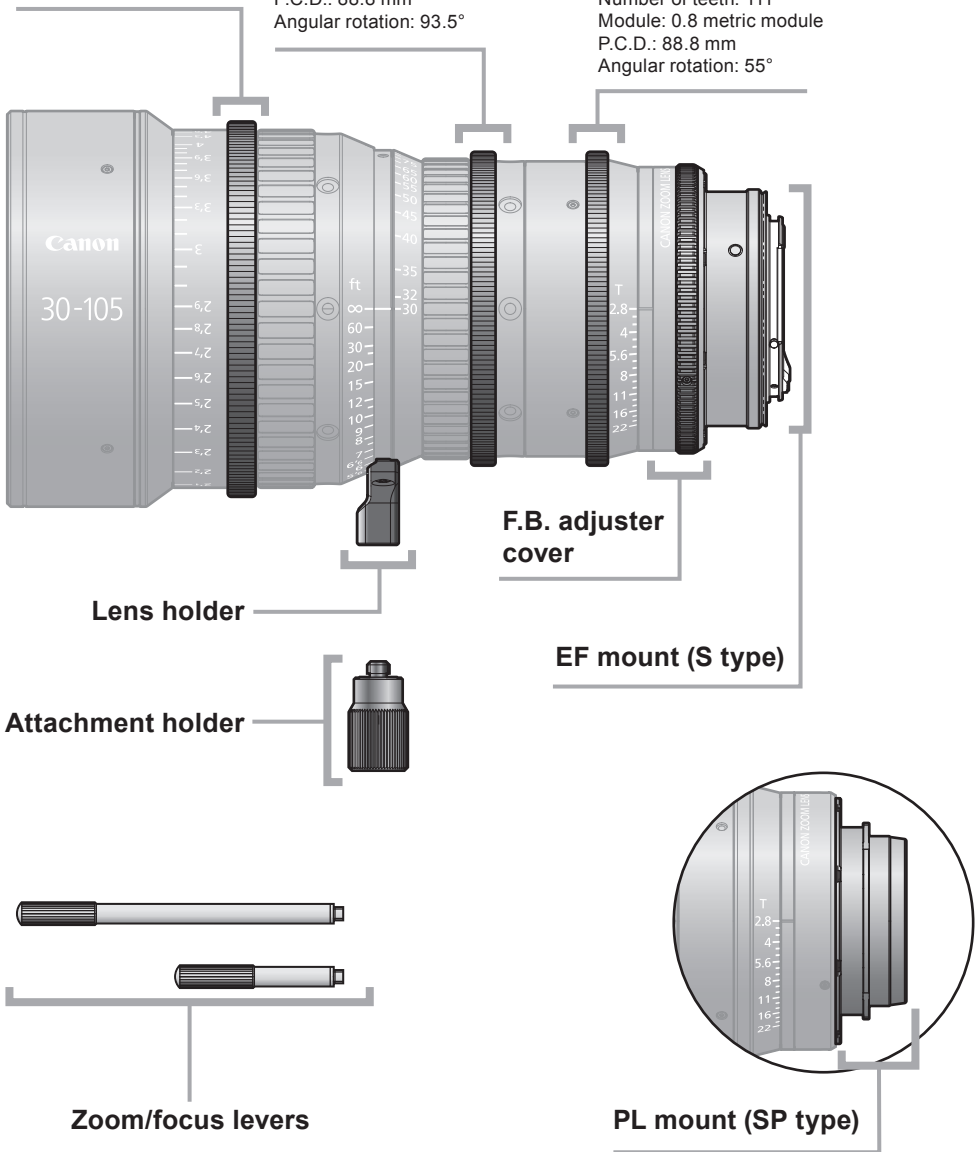
Number of teeth: 133
 Module: 0.8 metric module
 P.C.D.: 106.4 mm
 Angular rotation: 300°

Zoom drive gear

Number of teeth: 111
 Module: 0.8 metric module
 P.C.D.: 88.8 mm
 Angular rotation: 93.5°

Iris drive gear

Number of teeth: 111
 Module: 0.8 metric module
 P.C.D.: 88.8 mm
 Angular rotation: 55°



F.B. (Back Focus) Adjustment

F.B. (back focus) of this lens can be adjusted in the following procedures.

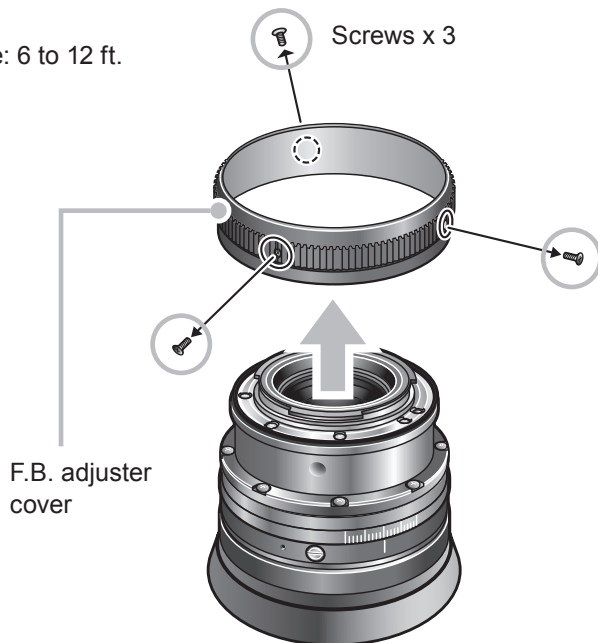
Before starting, select an object with sharp contrast at a distance* that facilitates the adjustment work.

* Recommended object distance range: 6 to 12 ft.

1

Remove three screws and remove the F.B. adjuster cover as in the right figure.

Note: Be sure to keep the screws for later reattachment.



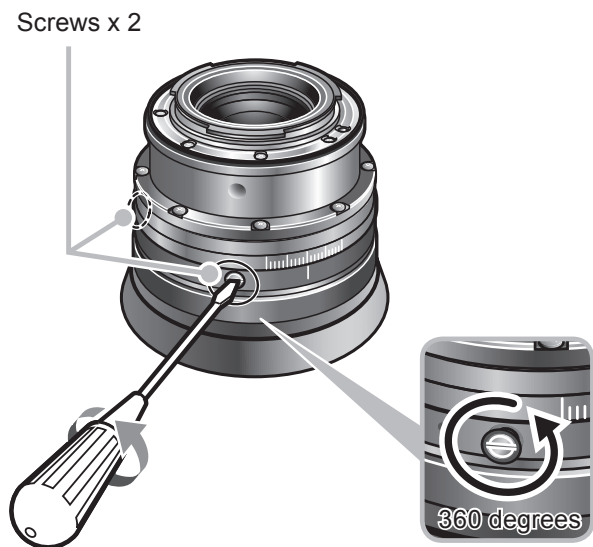
2

Mount the lens on the camera and turn two F.B. adjuster screws counterclockwise one revolution as in the right figure.

CAUTION

Be sure to securely mount the lens on the camera mount.

Note: Be sure not to remove the screws.



3

Turn the iris ring to set the iris to fully open (T2.8).

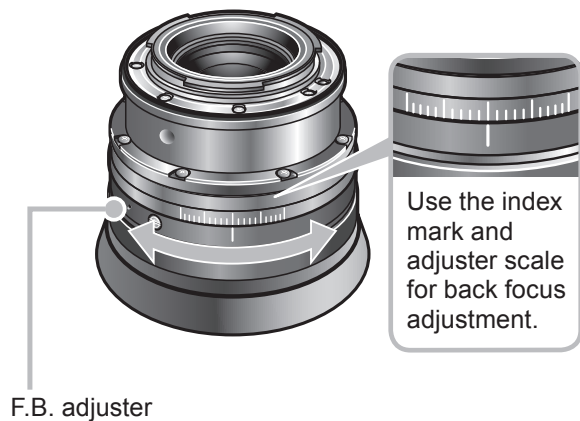
4

Turn the zoom ring to set the lens to the telephoto end, then turn the focus ring to bring the object into focus.

5

Turn the zoom ring to set the lens to the wide angle end, then turn the F.B. adjuster to bring the object into focus.

Note: Be sure not to move the focus ring at this time.



6

Repeat steps 4 and 5 two or three times.

7

Secure the F.B. adjuster and reattach the F.B. adjuster cover following the reverse procedure.

Available accessories

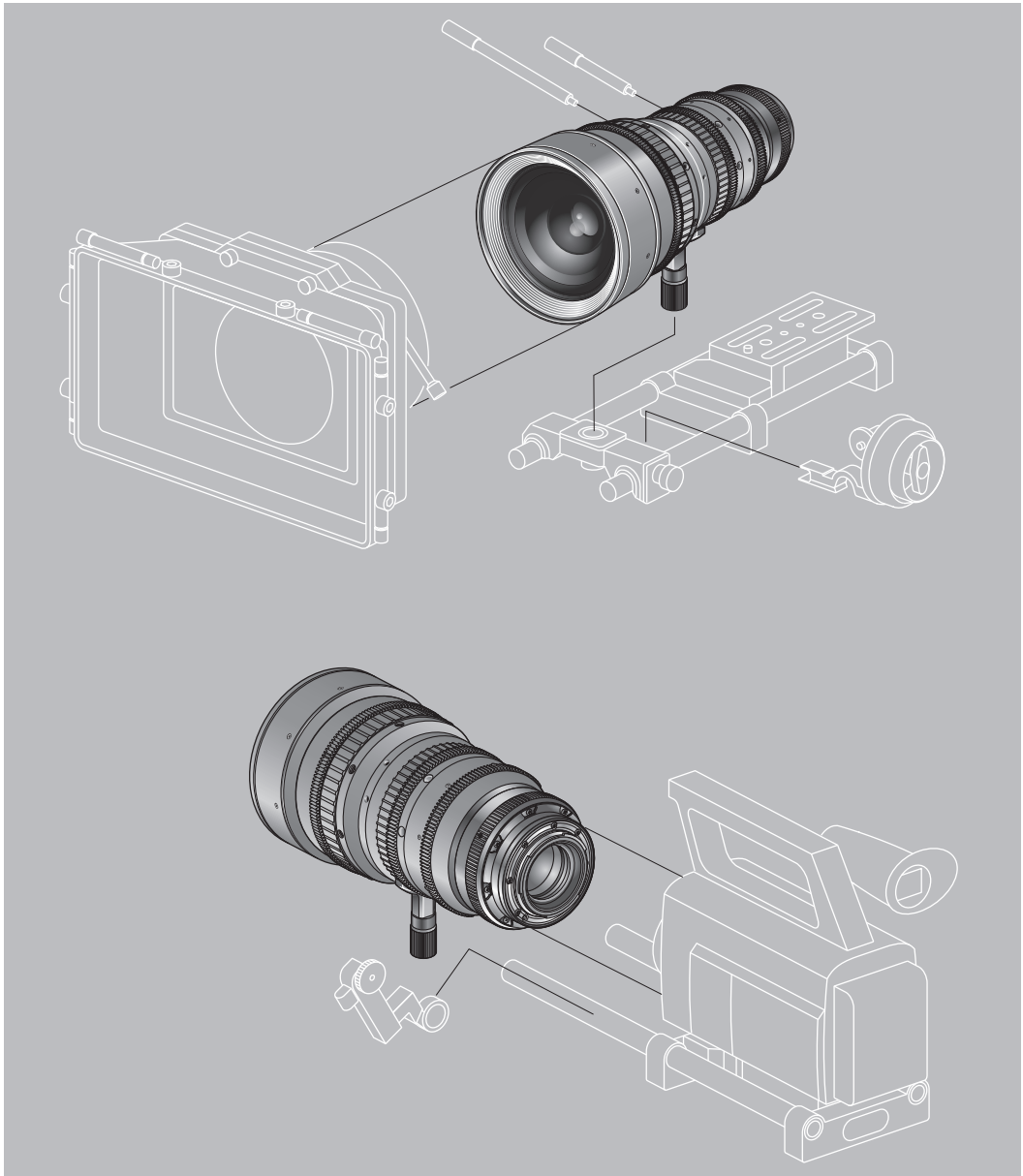
A variety of professional camera accessories are available using $\Phi 15$ mm and $\Phi 19$ mm rod adaptors.

(When using a $\Phi 19$ rod, attach the supplied attachment holder to the lens holder.)



CAUTION

Be sure to use the lens holder when mounting the lens on a camera. Be sure to avoid applying excessive weight to the lens mount when the lens is mounted on a lens support.





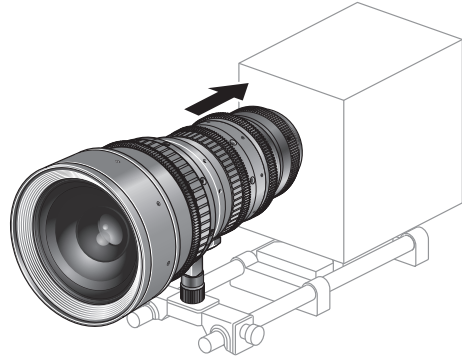
CAUTION

Mount the S type (EF mount) lens to the camera by following the steps below.

1

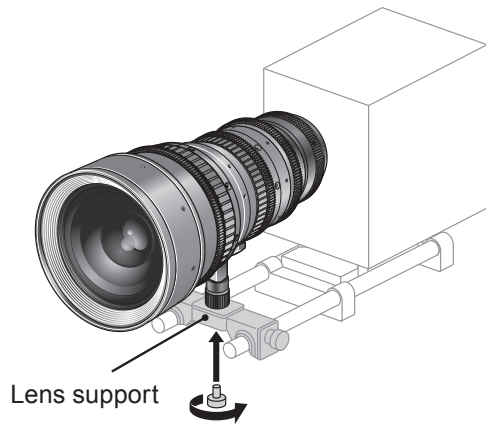
Attach the lens to the camera tightly so that both mounting surfaces are in complete contact.

Refer to the operation manual for the respective camera for the detailed information.



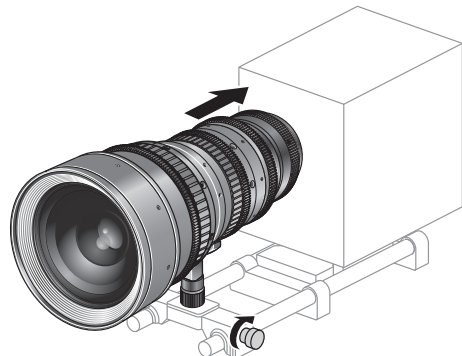
2

Secure the attachment holder on the lens support using the clamping screw supplied with the lens support.



3

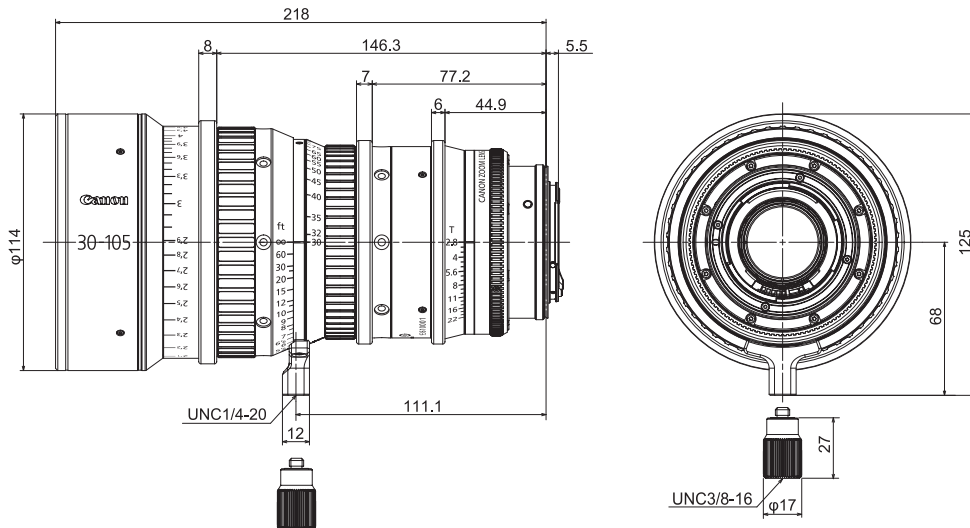
Push the lens toward the camera until both mounting surfaces are in complete contact and clamp the lens support to the rods.



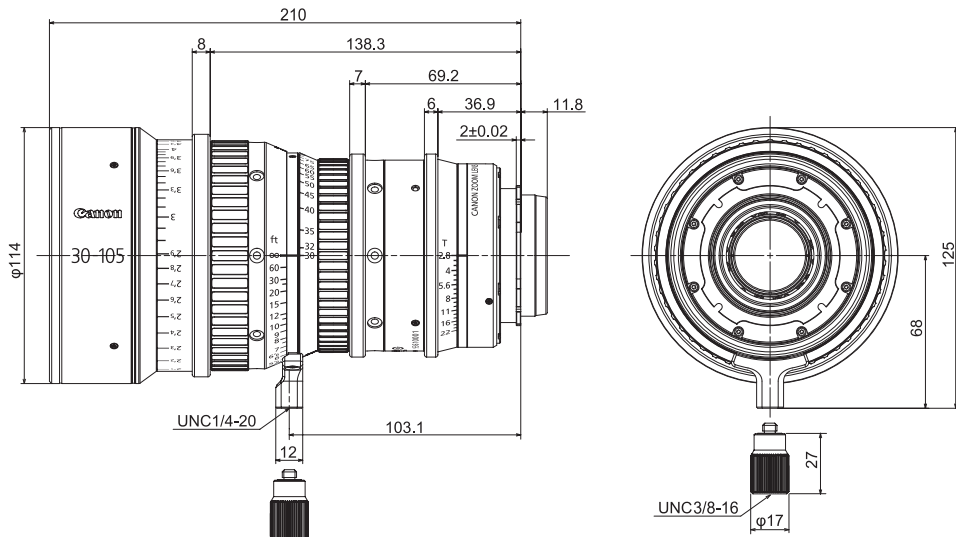
Dimensions of parts

Unit: mm

S type (EF mount)



SP type (PL mount)



Spur gear specifications

	Focus drive gear	Zoom drive gear	Iris drive gear
Number of teeth	133	111	111
Module	0.8 metric module	0.8 metric module	0.8 metric module
P.C.D.	106.4 mm	88.8 mm	88.8 mm
Angular rotation	300 degrees	93.5 degrees	55 degrees

Specifications

		CN-E30-105mm T2.8 L S	CN-E30-105mm T2.8 L SP
Lens Mount		Canon EF	PL
Focal Length		30 to 105 mm	
Maximum T-stop		T2.8 (f = 30 to 105)	
Iris Blades		11 pieces	
Coverage	Super 35mm Image Circle / H x V (1.78:1)	Φ27.5 mm / 24.0 x 13.5 mm	
	Angular Field of View (H / V) at wide angle end	43.6 / 25.4 degrees	
	Angular Field of View (H / V) at telephoto end	13.0 / 7.4 degrees	
Coverage	EOS C300 Image Circle / H x V (1.78:1)	Φ28.2 mm / 24.6 x 13.8 mm	
	Angular Field of View (H / V) at wide angle end	44.6 / 25.9 degrees	
	Angular Field of View (H / V) at telephoto end	13.4 / 7.5 degrees	
Coverage	EOS C500 Image Circle / H x V (1.9:1)	Φ29.6 mm / 26.2 x 13.8 mm	
	Angular Field of View (H / V) at wide angle end	47.2 / 25.9 degrees	
	Angular Field of View (H / V) at telephoto end	14.2 / 7.5 degrees	
Minimum Object Distance (M.O.D.)		0.6 m / (from the image sensor)	
Object Dimensions at M.O.D.	Super 35mm	32.3 x 18.2 cm at wide angle end 9.3 x 5.2 cm at telephoto end	
	EOS C300	33.1 x 18.6 cm at wide angle end 9.6 x 5.4 cm at telephoto end	
	EOS C500	35.3 x 18.6 cm at wide angle end 10.2 x 5.4 cm at telephoto end	
Focus Angular Rotation		300 degrees	
Zoom Angular Rotation		93.5 degrees	
Spur Gear Module		0.8 metric module	
Front Diameter		Φ114 mm	
Length		218 mm	210 mm
Weight		2.2 kg	

* A variety of professional camera accessories compatible with the Φ15 mm and Φ19 mm rod system can be used with this lens.

* This lens is compatible with EOS cameras that have a Super 35mm or equivalent sensor, or an APS-C image sensor. The lens is not compatible with cameras that have a 35-mm full-size sensor or an APS-H sensor.

Reference Information

This lens is a full manual lens for shooting movies.

- This lens is developed primarily for movie production, and have a color balance typical for movies. This means that the color reproduction is warmer than that of EF lenses which are basically used to shoot still images. Therefore, when using both types of lens together, adjust the color balance (redo the white balance etc.) as necessary.
- In general, the depth of field becomes shallow and the focusing range becomes extremely narrow near the widest aperture and when shooting a subject at close range. In addition, this tendency increases for lenses with longer focal lengths. When shooting images, carefully check the focusing condition using the zoom mode of the finder or other means, and shoot a sufficient number of test images before performing focus operations.

(for EF mount Lens only)

- The T-numbers of this lens are indicated on the iris ring of the lens. On the other hand, the iris information from this lens to the camera uses the F-number in consideration of use together with conventional EF lenses. Therefore, the camera side displays a different value (F-number) from the indication on the iris ring of the lens.
- Information of the focal length displayed on the camera side omits the figures below the decimal point.