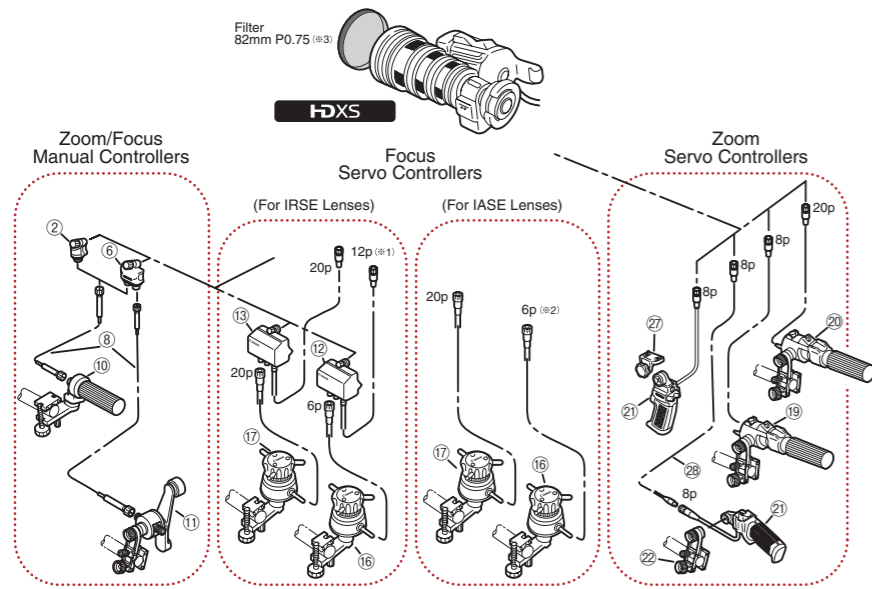


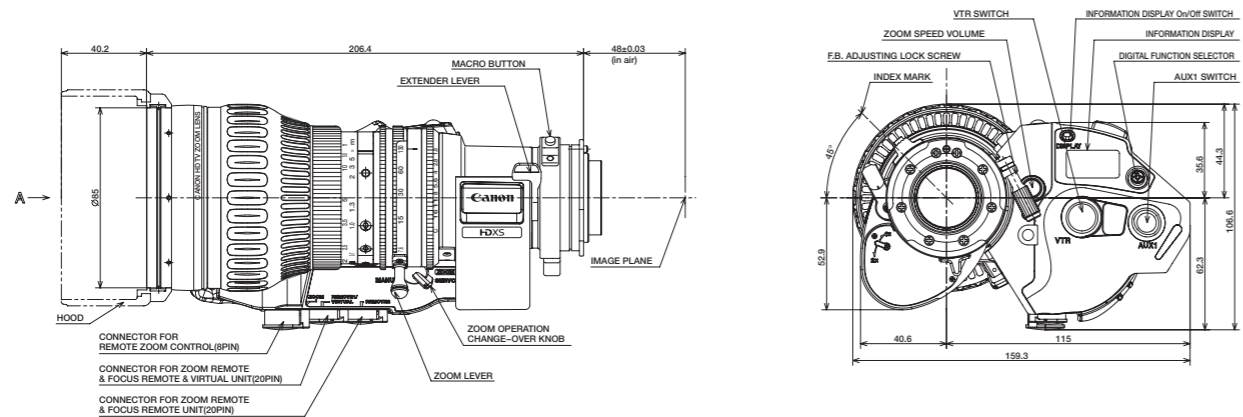
ACCESSORIES



#	Unit	Description
②	FFM-100	Flex Focus Module
⑥	FFM-200	Flex Dual Module
⑧	FC-40	Flex Cable
⑩	FFC-200	Flex Focus Controller
⑪	FZC-100	Flex Zoom Controller
⑫	FPM-420	Focus Positional Servo Module
⑬	FPM-420D	Focus Positional Servo Module
⑯	FPD-400 ^(*)	Focus Positional Demand
⑰	FPD-400D	Focus Positional Demand
⑱	ZSD-300M	Zoom Servo Demand
⑳	ZSD-300D	Zoom Servo Demand
㉑	ZSG-200M	Zoom Servo Grip
㉒	CR-10	Clamper
㉓	ZGA-500	Grip Adapter
㉔	EC-80	Zoom Extension Cable (8P)

(*)1 CC-2012 conversion cable is necessary to connect between IRSE Digital Drive Lens and FPM-420.
 (*)2 CC-2006 conversion cable is necessary to connect between IASE Digital Drive Lens and FPD-400.
 (*)3 For the optical accessories, the 82mm diameter P0.75 filters are applicable. The filters are to be attached to the lens barrel. (UV/ Clear/ Cross/ Snow Cross/ Sunny Cross/ Polarized Light/ Softon/ NDB)
 (*)4 FPD-400 is not available from Canon stock.

DIMENSIONS



North & South America
Canon U.S.A., Inc.

Broadcast & Communications Div. (Headquarters)
 65 Challenger Road, Ridgewood Park, NJ 07660
 Tel: (201) 807-3300 / (800) 321-4388
 Fax: (201) 807-3333
 Email: bctv@usa.canon.com
 http://www.canonbroadcast.com/

Chicago

100 Park Blvd. Itasca, IL 60143
 Tel: (630) 250-6236 Fax: (630) 250-0399

Atlanta

5625 Oakbrook Pkwy. Norcross, GA 30093
 Tel: (770) 849-7890 Fax: (770) 849-7888

Los Angeles

15955 Alton Parkway Irvine, CA 92618
 Tel: (949) 753-4330 Fax: (949) 753-4337

Dallas

3200 Regent Blvd. Irving, TX 75063
 Tel: (972) 409-8871 Fax: (972) 409-8869

Latin America

Tel: (954) 349-6975 Fax: (201) 807-3333

Canada

Canon Canada, Inc.
 Broadcast and Communications Div.
 6390 Dixie Road
 Mississauga, Ontario, L5T 1P7, Canada
 Tel: (905) 795-2012 Fax: (905) 795-2140

Europe/Africa/Middle East

Canon Europa N.V.
 Broadcast and Communications Div.
 Bovenkerkenweg 59-61
 1185 XB Amstelveen
 Tel: +31 (0) 20-5458905 Fax: +31 (0) 20-5458203
 Email: tvprod@canon-europe.com
 http://www.canon-europe.com/tv-products

Australia

Canon Australia Pty. Ltd.
 Optical Products Division
 1 Thomas Holt Drive, North Ryde, NSW 2113,
 Australia
 Tel: +61 (0) 2-9805-2000 Fax: +61 (0) 2-9805-2444

China
Canon (China) Co., Ltd.

Optical Products Division
 15F Jinbao Building No.89 Jinbao Street
 Dongcheng District, Beijing 100005, China
 Tel: 86-10-85139999 Fax: 86-10-85139902
 http://www.canon.com.cn

Asia/Japan
Canon Inc.
(Broadcast Equipment Group)

23-10, Kiyohara-Kogyo-Danchi, Utsunomiya-shi,
 Tochigi-ken, 321-3298, Japan
 Tel: +81 (0) 28-667-8669 Fax: +81 (0) 28-667-8672
 http://www.canon.com/bctv

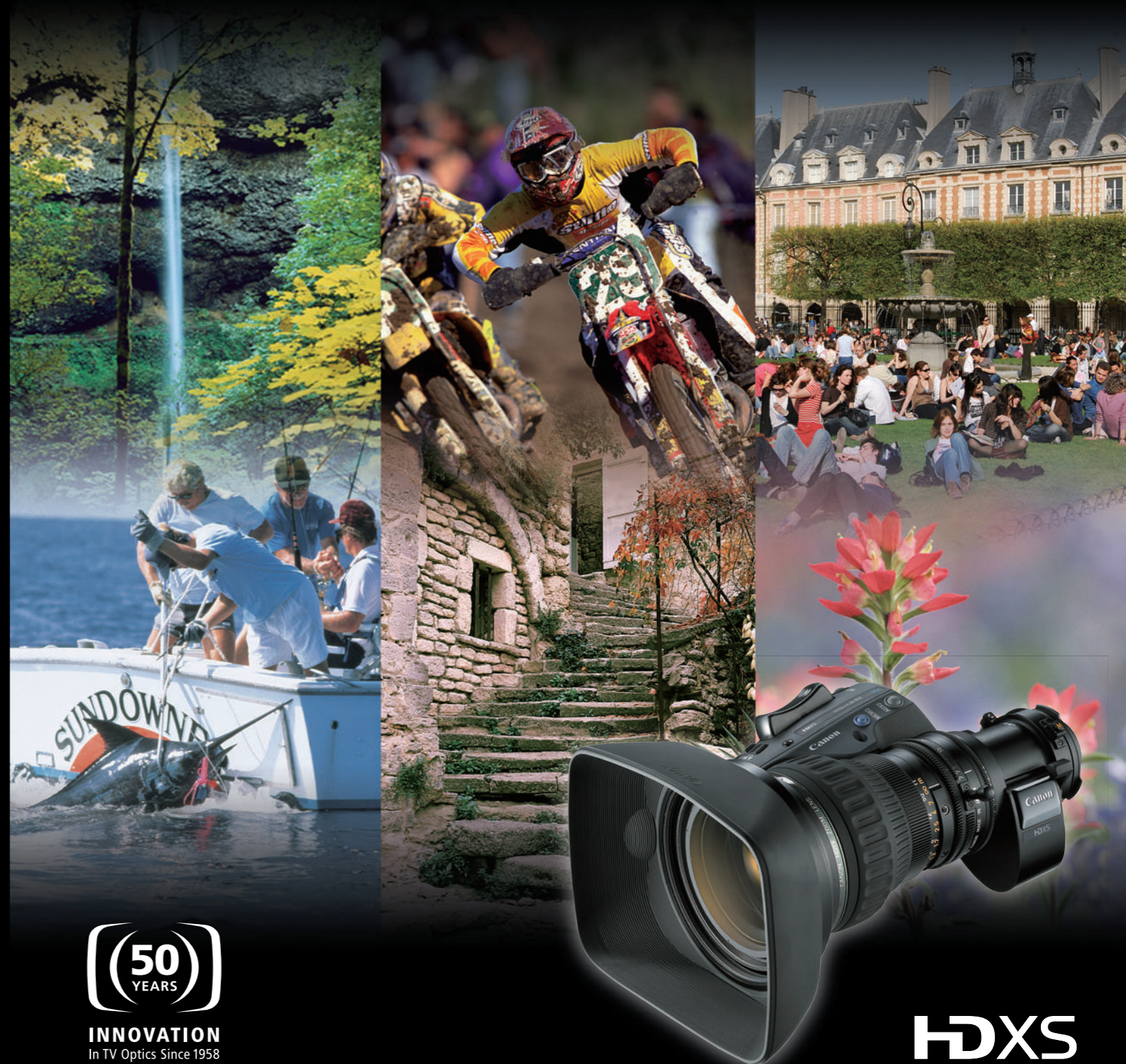
Distributed by

Specifications subject to change without notice.

Canon

HJ17ex7.6B

EXPAND FREEDOM IN HD IMAGE CAPTURE WITH CANON'S COMPACT HD LENS



Canon <http://www.canon.com/bctv>



INNOVATION
In TV Optics Since 1958

HXS

HJ17ex7.6B

HDXS

EXPAND FREEDOM IN HD IMAGE CAPTURE WITH CANON'S COMPACT HD LENS



In recent years, demand for HD production has steadily expanded to encompass a broad variety of program genres. Under such circumstances, the HJ17ex7.6B has seen a worldwide rise in popularity as a standard HD lens having high performance and ease of operation.

The HJ17ex7.6B is a lens whose central design criteria were low weight and small physical size to support greater mobility especially for HD newsgathering. It also provides a short MOD of only 0.56m in response to a strong market request. With its high optical imaging qualities the HJ17ex7.6B is distinguished within the HDxs lens series by a high price performance ratio that facilitates many forms of HD program origination.

A newly developed digital drive-unit further streamlines the lens ergonomics and ease of operation that empowers camera operator shooting flexibility.

(New drive is loaded with the lens that has 'A' at the end of its model name such as 'IRSE A', 'IASE A'.)

MAIN FEATURES

Realization of Miniaturization and Weight Reduction

The new design achieved a reduction in size that produced a total length of 206.4mm while also reducing the weight of the lens to 1.60kg (IRSE A type) which is crucial to more mobile shooting. Attention to the lens front end design in the form of an optical port diameter of only 82mm and a hood reduced in size so as to not occlude the camera operators viewing of the scene while shooting, further contribute to the dynamic shooting capabilities of the lens.

Short Minimum Object Distance of 0.56m

By reducing the minimum object distance to 0.56m the lens can be better utilized within confined spaces allowing objects to be effectively imaged at short distances while operating with a wide angle of view facilitated by the minimum 7.6mm focal length. Design improvements have lowered optical aberrations at the wider angle and open aperture settings.

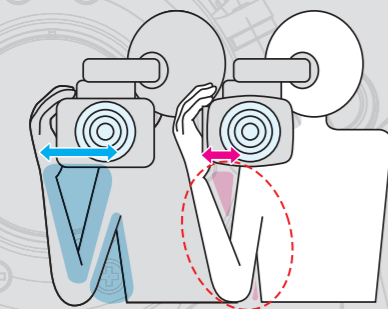
High Optical Performance

Accumulated design experiences allied with advances in optical technologies and manufacturing techniques have contributed to a higher level of overall imaging performance in the HJ17ex7.6B lens. In addition to providing a wider field of view some chromatic and monochromatic aberrations have been reduced. Specifically these include a lowering of longitudinal chromatic aberration at the longer focal lengths, and curtailment of spherical and comatic aberrations. Adoption of new optical materials also afforded a reduction in curvature of field. The lens focusing system has also been improved over the conventional 2-group inner focus in terms of a shorter MOD and improved resolution at the picture extremities especially over the middle to telephoto focal range.

Improved Operability & Reduced Operator Fatigue

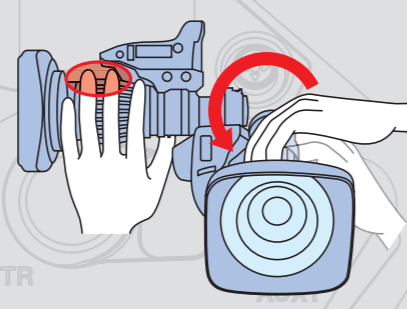
Coupled with innovations in optical performance, is a totally new design of the digital drive unit. Refined by long-term market research and worldwide experience, Canon mobilized the latest in 3D CAD-CAM design to significantly improve the human tactile interface to the control of zoom, iris, and focus. Here are some results of Canon's research:

Reduced Physical Stress



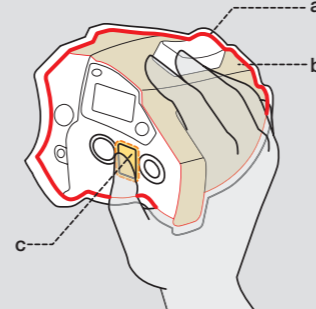
By reducing the width of the drive unit, the palm of the camera operator's hand is positioned closer to the optical axis, thus reducing the degree of arm bend which in turn lessens physical stress during prolonged shooting.

Improved Ease of Operation



The spacing between the focus ring and drive unit has been changed to avoid accidental interference with the drive unit while manipulating the focus control.

Ergonomic Design



The size and curvature size have been optimized to more comfortably fit in the palm of the operator's hand (a). Newly developed coatings improve the tactile interface between the user and the drive unit (b) together with the new Rubber Grip Support (c).



Light Weight and Compact Body



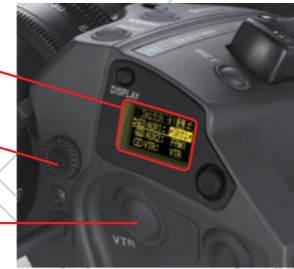
Short M.O.D. 0.56m

Enhanced Digital Drive Unit

Information Display

Zoom Speed Volume in New Location

New Rubber Grip Support



The incorporation of miniature 16-bit, high resolution Rotary Encoder Devices into the new enhanced digital drive unit, has extended the features of the HJ14x to include:

- Precision control of all lens operations
- Precise digital repeatability of zoom, focus and iris control that support innovative image creation
- Simple and direct digital integration into virtual studio systems
- Precision zoom control over a total speed range of 0.5 sec. to more than 5 min.

Moreover, Canon's unique Information Display provides easy, precise customization of the enhanced digital functions.

Enhanced Digital Functions

Shuttle Shot

By memorizing any two focal lengths, the Digital Drive can automatically "shuttle" between the two points, moving in either direction.



Frame Preset

An angle of view can be preset in either of two memories and the lens will zoom at the highest speed or in a preset zoom speed to the preset position by pushing a simple button.



Speed Preset

A specific zoom speed can be preset in memory and it is possible to repeat the zoom speed as often as you like by pushing a simple button.



Zooming in same speed



Information Display

Short M.O.D. 0.56m (10mm with Macro)

Newly Designed Ergonomic Drive Unit



2.0x Extender

Dynamic Zoom Speed Range (0.5sec-5min from wide end to tele end)

Low-Weight, High-Mobility

Exceptional High Optical Performance High MTF, Minimized Chromatic Aberrations and Innovative Countermeasures against Ghosting and Flares

SPECIFICATIONS

HJ17ex7.6B	16:9		4:3	SWITCHABLE 4:3	
	1.0x	2.0x	1.0x	1.2x	2.4x
Built-in extender	1.0x	2.0x	1.0x	1.2x	2.4x
Zoom Ratio	17x				
Range of Focal Length	7.6~130mm	15.2~260mm	6.3~107mm	7.6~130mm	15.2~260mm
Maximum Relative Aperture	1:1.8 at 7.6~97.5mm 1:2.4 at 130mm	1:3.6 at 15.2~195mm 1:4.8 at 260mm	1:1.8 at 6.3~96.3mm 1:2.0 at 107mm	1:1.8 at 7.6~97.5mm 1:2.4 at 130mm	1:3.6 at 15.2~195mm 1:4.8 at 260mm
Angular Field of View	64.6°×39.1° at 7.6mm 4.20°×2.40° at 130mm	35.1°×20.1° at 15.2mm 2.10°×1.20° at 260mm	60.1°×46.9° at 6.3mm 3.90°×2.90° at 107mm	50.7°×39.1° at 7.6mm 3.20°×2.40° at 130mm	26.6°×20.1° at 15.2mm 1.60°×1.20° at 260mm
Minimum Object Distance (M.O.D)	0.56m (10mm with Macro)				
Object Dimensions at M.O.D	65.4×36.8cm at 7.6mm 4.00×2.30cm at 130mm	32.7×18.4cm at 15.2mm 2.00×1.20cm at 260mm	59.9×44.9cm at 6.3mm 3.70×2.80cm at 107mm	49.1×36.8cm at 7.6mm 3.10×2.30cm at 130mm	24.6×18.4cm at 15.2mm 1.60×1.20cm at 260mm
Approx. Size	W×H×L=159.3×106.6×206.4mm				
Approx. Mass (IRSE A / IASE A)	1.60Kg (3.53lbs) / 1.68Kg (3.71lbs)				

HJ17ex7.6B IRSE A Zoom: Servo / Manual Focus: Manual
HJ17ex7.6B IASE A Zoom: Servo / Manual Focus: Servo / Manual