



4K

## UHD DIGISUPER 90

UJ90×9B 9-810mm 1:2.4

### CANON 4K UHD UJ90×9B OUTSIDE BROADCAST LENS

This lens, designed for use in 4K outside broadcast television production, combines both an 810mm long focal length and the superb optical performance to support the high 4K UHD imagery anticipated for sporting and other special events.

#### HIGH ZOOM RATIO (90X) AND LONG FOCAL LENGTH (810MM)

As a lens that supports 2/3" 4K UHD cameras, this model boasts the world's highest zoom ratio\* and world's longest focal length\*.

#### APPLICABILITY AND EASE OF OPERATION IDEALLY SUITED FOR 4K SHOOTING

Since the lens achieves the zoom ratio, long focal length and size as well as the servo speed and stability required for the telecasting of live sports events and other applications, it provides the applicability and ease of operation demanded by high quality 4K shooting.

#### 4K OPTICAL PERFORMANCE

The lens offers optical performance that supports 4K cameras all the way from screen center to the edges.

#### ACHIEVES 4K OPTICAL PERFORMANCE EVEN WITH THE BUILT-IN 2X EXTENDER AND IMAGE STABILIZER

Thanks to the precision of its high-grade components and assembly, the lens achieves outstanding 4K optical performance, even when the built-in 2x extender has been engaged. Also featured is Canon's latest generation optical shift-type image stabilizing mechanism, helping to achieve the degree image-stabilizing performance commensurate with 4K.

\* Among compatible 2/3-inch 4K broadcast lenses available as of September 8th, 2015.

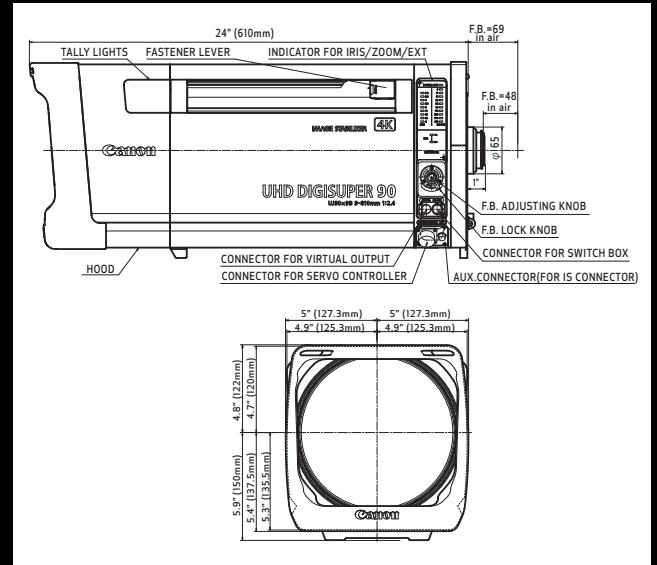
# 4K UHD DIGISUPER UJ90X9B OUTSIDE BROADCAST LENS

PRODUCT NAME: UJ90x9B 9-810mm 1:2.4

## SPECIFICATIONS

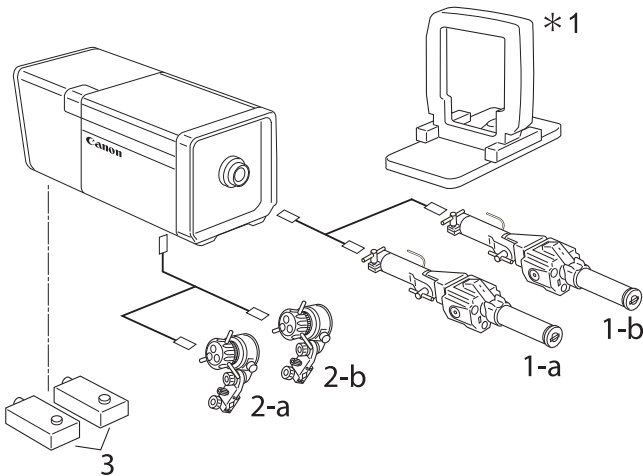
BUILT-IN EXTENDER	1.0x	2.0x
FOCAL LENGTH	9-810mm	18-1620mm
ZOOM RATIO	90x	
MAXIMUM RELATIVE APERTURE	1:2.4 at 9-486mm 1:4.0 at 810mm	1:4.8 at 18-972mm 1:8.0 at 1620mm
ANGULAR FIELD OF VIEW	56.1° x 33.4° at 9mm 0.68° x 0.38° at 810mm	29.9° x 17.1° at 18mm 0.34° x 0.19° at 1620mm
M.O.D.	3.0m	
OBJECT DIMENSIONS AT M.O.D.	287.9 x 161.9cm at 9mm 3.3 x 1.9cm at 810mm	144.0 x 81.0cm at 18mm 1.7 x 1.0cm at 1620mm
APPROX. SIZE (W x H x L)	9.9 x 10 x 24in (250.6 x 255.5 x 610mm)	
APPROX. MASS	51 lbs (23.2kg)	

## DIMENSIONS



## RECOMMENDED LENS SYSTEM / ACCESSORIES

### UHD DIGISUPER



### Compatibility of Accessories for UHD DIGISUPER

No.	Description	Model Name
1-a	Digital Zoom Demand	ZDJ-P01
1-b	Digital Zoom Demand	ZDJ-D02
2-a	Digital Focus Demand	FDJ-P01
2-b	Digital Focus Demand	FDJ-D02
3	Digital Servo Module	SMJ-E01
—	Protection Filter	PFJ-951
—	IS Switch	SBJ-IS2

\* 1. Lens Supporter is necessary for portable camera mounting.

Specifications subject to change without notice.

© 2015 Canon U.S.A., Inc. All rights reserved. Certain images and effects are simulated. Specifications and availability are subject to change without notice. Products not shown to scale. Weight and dimensions are approximate. Not responsible for typographical errors. Canon is a registered trademark of Canon Inc. in the United States and may also be a registered trademark or trademark in other countries.

For more info:

[pro.usa.canon.com](http://pro.usa.canon.com)

[@CanonUSApro](https://twitter.com/CanonUSApro)

