

ECARTONE

PROFESSIONAL CAMERA SUPPORT

FOCUS

8



USER'S MANUAL & Maintenance





CERTIFICATO N. 19714/09/S
CERTIFICATE No.

SI CERTIFICA CHE IL SISTEMA DI GESTIONE PER LA QUALITÀ DI
IT IS HEREBY CERTIFIED THAT THE QUALITY MANAGEMENT SYSTEM OF

CARTONI S.P.A.

VIA DI PORTONACCIO, 33/B 00159 ROMA (RM) ITALIA

NELLE SEGUENTI UNITÀ OPERATIVE / IN THE FOLLOWING OPERATIONAL UNITS

VIA DI PORTONACCIO, 33/B 00159 ROMA (RM) ITALIA

È CONFORME ALLA NORMA / IS IN COMPLIANCE WITH THE STANDARD
ISO 9001:2015

PER I SEGUENTI CAMPI DI ATTIVITÀ / FOR THE FOLLOWING FIELD(S) OF ACTIVITIES

IAF:17
IAF:29

PROGETTAZIONE, FABBRICAZIONE ED ASSISTENZA POST-VENDITA DI PRODOTTI PER LA CINEMATOGRAFIA E
LA TELEVISIONE PROFESSIONALE. COMMERCIALIZZAZIONE DI PRODOTTI ED ACCESSORI IN CONCESSIONE
PER LA CINEMATOGRAFIA E LA TELEVISIONE PROFESSIONALE

DESIGN, MANUFACTURE AND POST-SALE ASSISTANCE OF PROFESSIONAL BROADCAST AND FILM EQUIPMENT.
MARKETING OF PROFESSIONAL BROADCAST AND FILM ACCESSORIES AND PRODUCTS AS LOCAL
AGENCY REPRESENTATIVE

La validità del presente certificato è subordinata a sorveglianza periodica annuale / semestrale ed al riesame completo del sistema di gestione con periodicità triennale

The validity of this certificate is dependent on an annual / six monthly audit and on a complete review, every three years, of the management system

L'uso e la validità del presente certificato sono soggetti al rispetto del documento RINA: Regolamento per la Certificazione di Sistemi di Gestione per la Qualità

The use and validity of this certificate are subject to compliance with the RINA document: Rules for the certification of Quality Management Systems

| | | | |
|--------------------------------|------------|--|------------|
| Prima emissione First Issue | 12.06.2009 | Data decisione di rinnovo Renewal decision date | 24.05.2018 |
| Data scadenza Expiry Date | 02.06.2021 | Data revisione Revision date | 24.05.2018 |

Amlicare Rini
Rome Management System
Certification, Head

RINA Services S.p.A.
Via Corsica 12 - 16128 Genova Italy



SGQ N° 002 A

Members degli Accordi di Mutua
Riconoscimento DA, IAF e SAC
Signatories of DA, IAF and SAC
Mutual Recognition Agreements



www.cisq.com

CISQ è la Federazione Italiana di Organismi di
Certificazione dei sistemi di gestione aziendale
CISQ is the Italian Federation of
management system Certification Bodies

| | | |
|-----------|------------------------------|----|
| 1. | SAFETY & SET-UP INTRODUCTION | 5 |
| 2. | OPERATING ELEMENTS | 6 |
| 3. | PROCEDURES | 8 |
| 4. | SPECIFICATIONS | 9 |
| 5. | MAINTENANCE | 10 |
| 6. | WARRANTY | 10 |
| 7. | ACCESSORIES & PRODUCT LINE | 11 |



1. SAFETY & SET-UP INTRODUCTION

The **FOCUS 8** Fluid Head is the ideal support for the latest smaller, lighter high-performance Cameras weighing from 0 to 8 kg (0 to 17.7 lbs).

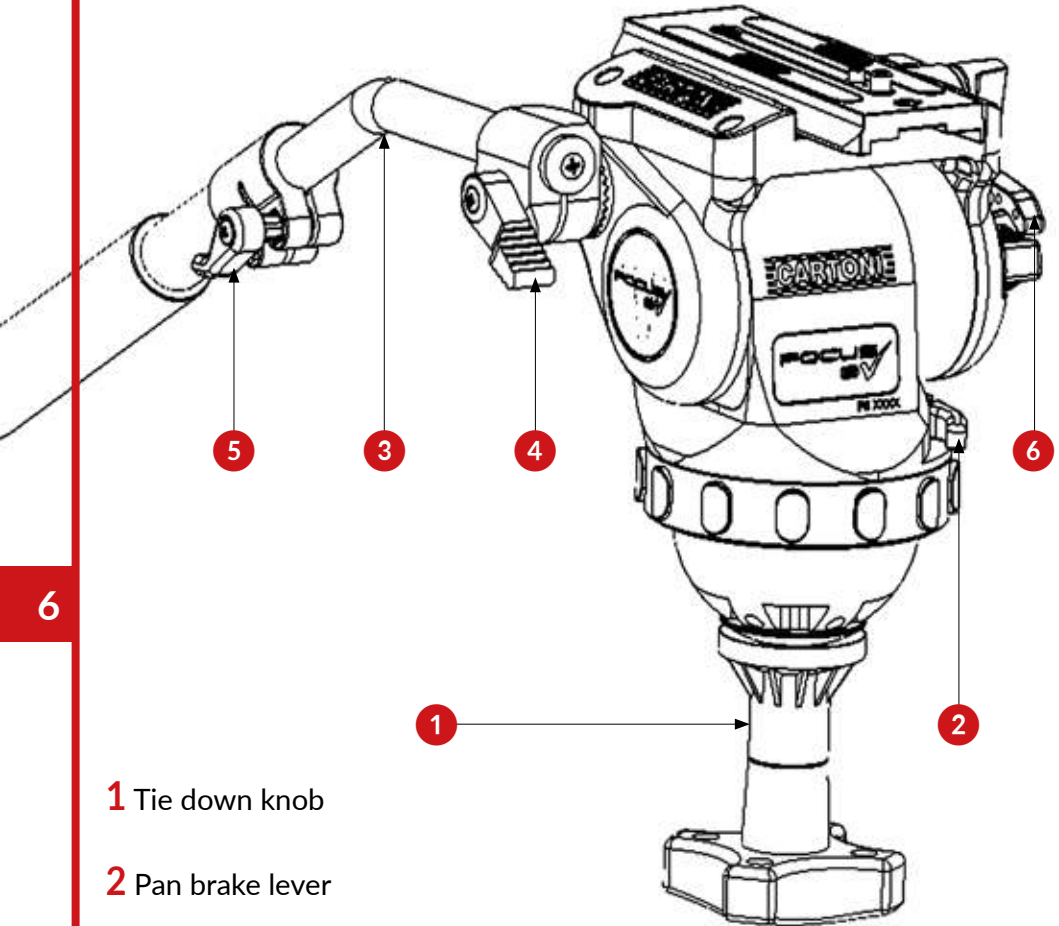
Extremely compact and lightweight, the innovative **FOCUS 8** features a continuously variable fluid damping system on both Pan and Tilt movements and an unrivaled patented variable counterbalance which brings its range of use to cover all existing ENG and lighter high-performance Cameras.

The **FOCUS 8** Head comes equipped with a sliding Camera plate, spirit level and telescopic Pan bar. Its tilting range is +/- 90° with perfect response throughout the entire Tilt range. It interfaces with all 75 mm bowl base Tripods and supports.

The extreme ruggedness and versatility together with a superior quality/price ratio make the **FOCUS 8** the best possible support for independent content creators, news Operators and Videographers.

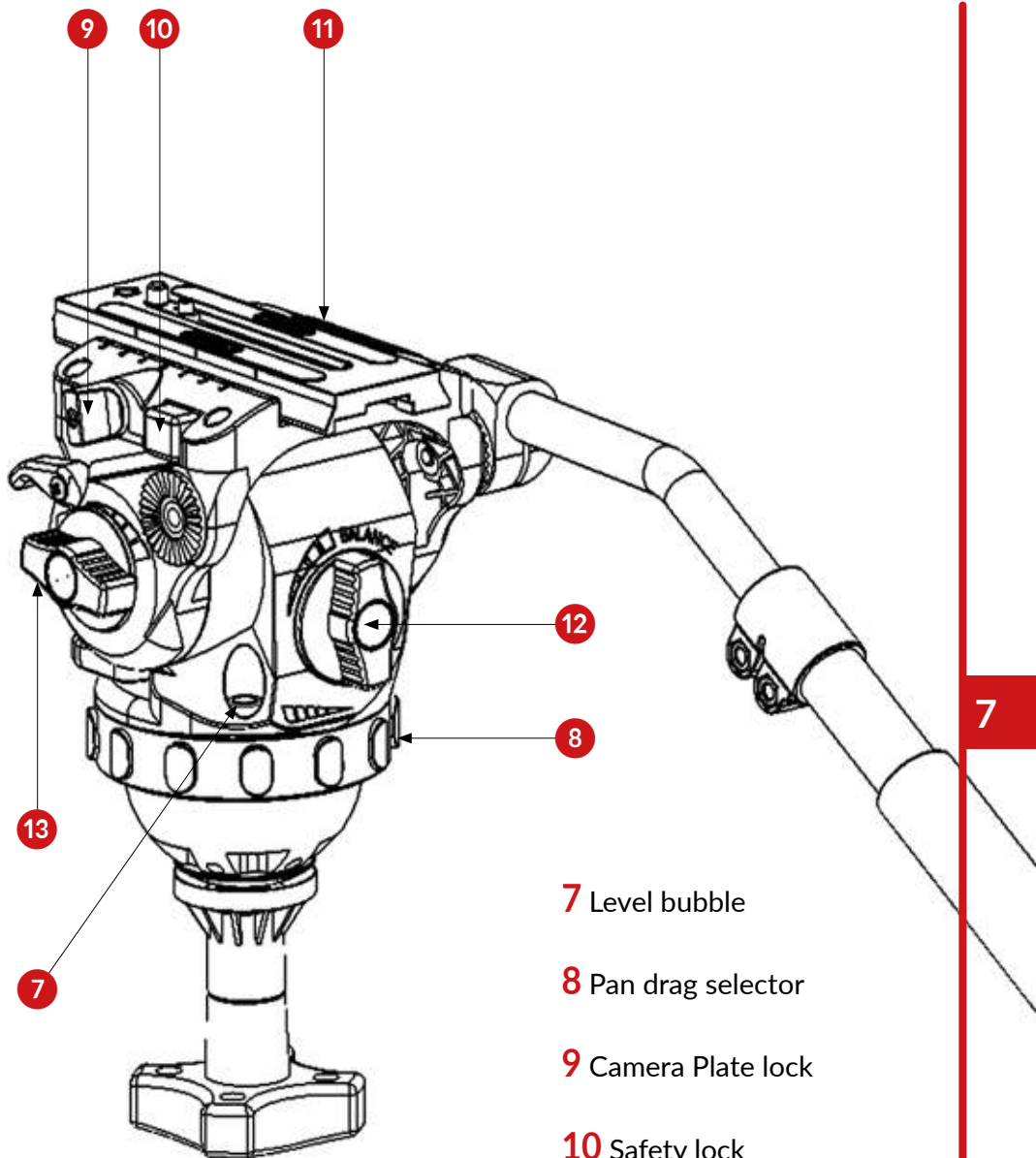
- ✓ Before using your new **FOCUS 8**, please read this user manual.
- ✓ Before installing the Fluid Head on the Tripod check the Tripod stability.
- ✓ Verify that the Camera payload (including lens and all accessories) is below the maximum capacity of the Fluid Head.
- ✓ Before setting up the Camera, make sure that the Fluid Head is in perfect operative conditions with no damages.

2. OPERATING ELEMENTS



6

- 1 Tie down knob
- 2 Pan brake lever
- 3 Pan bar
- 4 Pan bar attachment
- 5 Pan bar extension
- 6 Tilt brake lever



7 Level bubble

8 Pan drag selector

9 Camera Plate lock

10 Safety lock

11 Camera Plate

12 Balance knob

13 Tilt drag selector

3. PROCEDURES

- ✓ Place the **FOCUS 8** on your Tripod by loosening the tie-down knob (1) under the Fluid Head and level using the level bubble (7).
- ✓ Connect the Pan bar (3) to the Fluid Head tightening the lever (4) on the Pan bar attachment and select your desired operating angle. The telescopic Pan bar length can be adjusted via lever (5).
- ✓ Lock both Pan and Tilt brakes (2 and 6), turn both Tilt drag selector (13) and counterbalance knob (12) to the minimum level.
- ✓ Unscrew the Camera plate lock (9) and press the safety lock (10) to slide out the Camera plate (11).
- ✓ Attach the Camera plate (11) to the bottom of the Camera and tighten the clamping screw to secure the Camera. Try to center the Camera plate under the Camera, keeping the center of gravity position in mind.
- ✓ Slide in the Camera plate until you hear the safety button click. Lock the Camera plate with knob (9).
- ✓ Hold the Camera in horizontal position with the Pan bar (3) and release the Tilt brake lever (2). Release the Camera plate lock (9) and find the correct center of gravity (CG) position, by sliding the Camera back and forth until you have achieved the correct balance. Lock the sliding plate lock (9).
- ✓ Set the counterbalance system by turning the balance knob (12), to the appropriate tension. The Camera has to stay still at any Tilt angle. If needed, fine-tune by adjusting the sliding Camera plate.

- ✓ Unlock the Pan brake lever (2) and set Fluid drag control by adjusting selectors (8) and (13).
- ✓ For easy mounting on a slider, the threaded shaft on the head bowl can be removed with a 10 mm allen key and a 3/8 inch threaded hole will allow the connection.

4. SPECIFICATIONS

| | | |
|-------------------|--------------|---------------|
| Minimum payload | 0 Kg | 0 lbs |
| Maximum payload | 8 Kg | 17.7 lbs |
| Weight | 1,8 Kg | 3.9 lbs |
| Bowl diameter | 75 mm | |
| Fluid control | Continuous | |
| Counterbalance | Continuous | |
| Pan range | 360° | |
| Tilt range | +/- 90° | |
| Temperature range | -40 / +60 °C | -40 / +140 °F |

5. MAINTENANCE

With indoor use - when needed - just clean the **FOCUS 8** and Tripod with a soft cloth. Dirt accumulated during storage may be removed using a brush or Air spray.

CARTONI products main mechanisms are sealed as they are also built for professional outdoor use.

However, use under rough conditions will require special care. Salt water is very corrosive and can cause extreme damages. In attempt to avoid further damage the Fluid Head should be washed off with fresh water at the earliest opportunity and dried before storage.

Sand and dirt are abrasive and should be removed using a semi-stiff brush or Air spray.

6. WARRANTY

All **CARTONI** Fluid Heads & Pedestals have a free of charge three (3) year warranty. Register your product at www.cartoni.com within 30 days from date of first purchase/invoice to receive further two (2) year warranty for the unsurpassed free five (5) year warranty.

Tripods, spreaders, dollies and all accessories are guaranteed one (1) year from the date of first purchase/invoice.

CARTONI warrant that the product supplied will - under proper use - be free from defects in workmanship and materials and agrees that it will, at its option, either repair or replace any defective part within duration of warranty from date of first purchase with no labour charge.

This warranty does not apply to any **CARTONI** product that has been

damaged in shipping or handling, abused, misused, operated contrary to instructions for use, neglected, normal wear or tear, modified or changed in design or construction or serviced by unauthorized parties.

Repairs or misuse by any unauthorized parties will void this warranty.

Warranty claims must be submitted – in writing - to the factory for verification or to an authorized distributor/dealer designated by **CARTONI**.

It is the end user's responsibility when ordering to ensure that the products ordered conform to his requirements.

All freight of product to **CARTONI** must be prepaid. All implied warranties are limited to the time period set forth herein & subject to change without notice.

No liability can be accepted for any variation.

7. ACCESSORIES & PRODUCT LINE

For the complete Accessories list & Product line please visit **CARTONI's** official website **www.cartoni.com**.

Every product has an updated list of compatible items sorted by groups, with descriptions and technical data.



CARTONI
PROFESSIONAL CAMERA SUPPORT

CARTONI S.p.A
Via di Portonaccio, 33/B - 00159 Rome (Italy)
Phone +39 06 4382002
Fax +39 06 43588293
Email: cartoni@cartoni.com
www.cartoni.com