

PRO Z

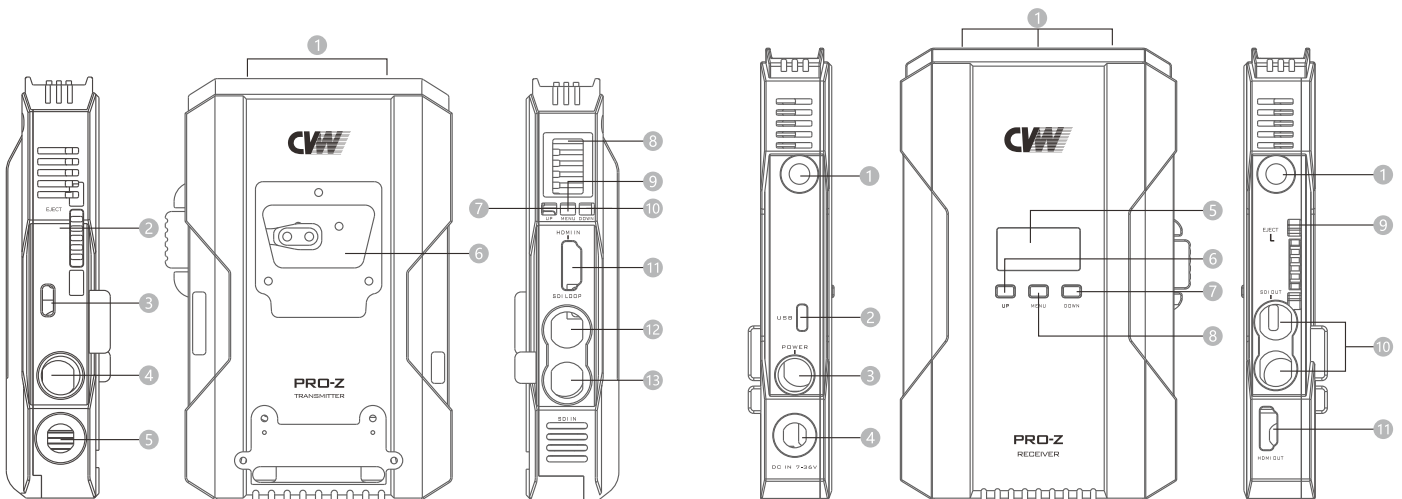
Zero Latency Wireless Video Transmission System

Model: 7118+3118

- Zero latency & uncompressed video transmission
- Up to 1080p60, 10-bit with 4:2:2 chroma sampling
- Channel scanning function to select the best channel
- 800m/2600ft (LoS) transmission range
- HDMI in/out, SDI loop out, dual 3G-SDI out
- 5.1-5.8 GHz ISM frequency band
- The transmitter can transmit video signal to multiple receivers simultaneously
- Support V-mount battery slot
- The transmitter is designed to be ultra-thin at 24.5mm
- Support time code (ATC_VITC and ATC_LTC formats) and start/stop triggers from camera
- Smart cooling design, manual or auto mode



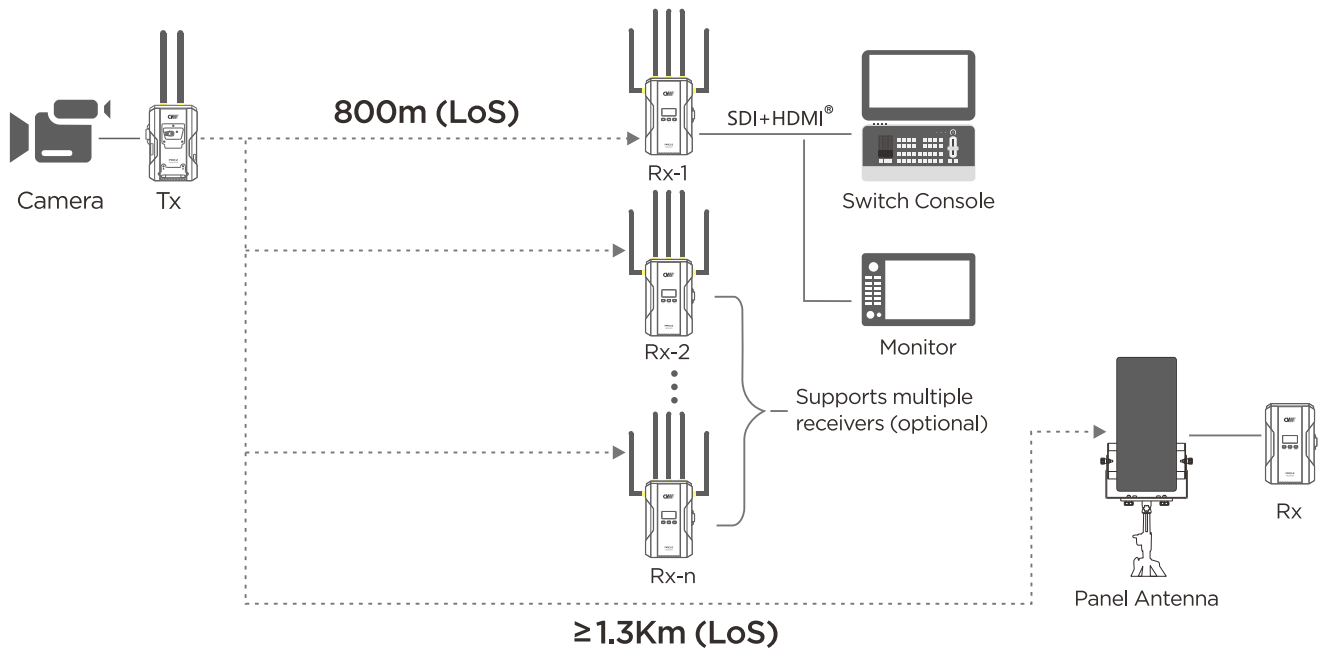
Product Interfaces



- 1 SMA Antenna Connectors
- 2 EJECT
- 3 USB Port
- 4 POWER Button
- 5 DC IN
- 6 V-MOUNT Slot
- 7 UP
- 8 OLED Screen
- 9 MENU Button
- 10 DOWN
- 11 HDMI IN
- 12 SDI LOOP OUT
- 13 SDI IN

- 1 SMA Antenna Connectors
- 2 USB Port
- 3 POWER Button
- 4 DC IN
- 5 OLED Screen
- 6 UP
- 7 DOWN
- 8 MENU Button
- 9 EJECT
- 10 SDI OUT
- 11 HDMI OUT

Application Diagram



Parameters

Item	Transmitter:7118	Receiver:3118
Operating Frequency	5.1-5.9 GHz	
Bandwidth	40MHz	
Video Resolution	1080P 23.98/24/25/30/50/60 1080psf 23.98/24/25 1080i 50/59.94/60 720P 50/59.94/60 576P 576i 480p 480i	
Antenna	External antenna*2	External antenna*5
Transmission Range	800m(LoS)	
OLED Screen	Operating channel info, video resolution, battery voltage, fan status, signal info, and other information	
Interface	3G-SDI loop output, SDI input, HDMI input, USB Type-C, LEMO power input (OB/2-pin), OLED screen, function button	Dual SDI output, HDMI output, USB Type-C, LEMO power input (OB/2-pin), OLED screen, function button
Mounting	1/4-inch screw thread*3, V-mount battery slot*2	1/4-inch screw thread*2, 3/8-inch screw thread*1, V-mount battery slot*1
Operating Voltage	7V-36V	
Power Consumption	MAX12W	MAX8W
Dimensions (mm)	134*92.5*24.5mm	165*106*26mm
Temperature	-10 ~ 50°C(Working),-40-80°C(Storage)	



SHENZHEN CRYSTAL VIDEO TECHNOLOGY CO.,LTD

ADD: F12,F518 Idea Land,Baoyuan Road,Baoan Central Area,Shenzhen,China

Post code: 518102

Tel: +86-755-27750518-6652

E-mail: Sales@cv-hd.com

www.cv-hd.com

Fax: +86-755-29188427

E-mail: Marketing@cv-hd.com