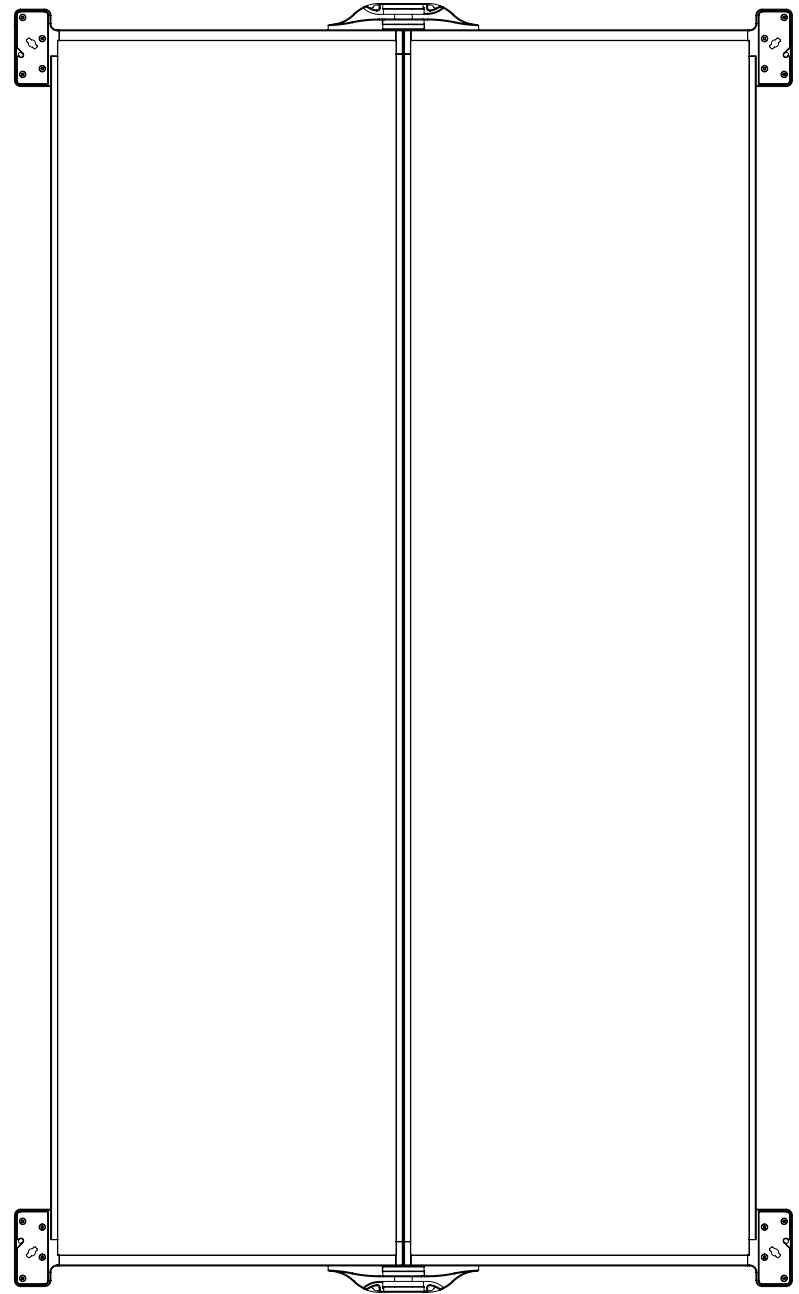
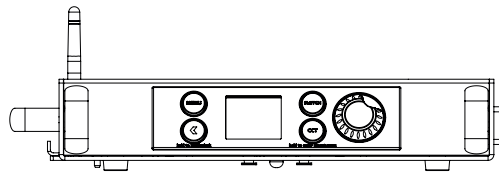


# maxi switch

## What is the MAXI Switch?

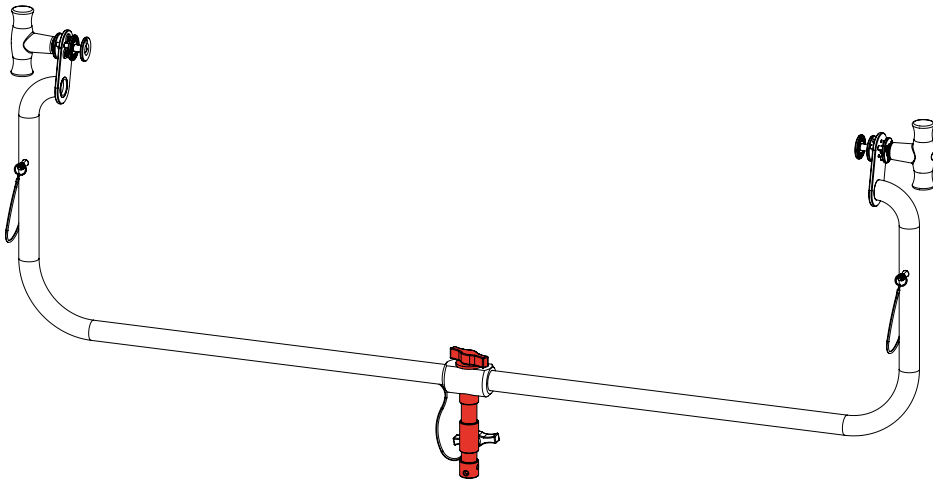
- 120cm\*75cm - 4\*2.5 Feet
- < 500 W
- 12 KG - 26 lb



# MAXI SWITCH USER MANUAL

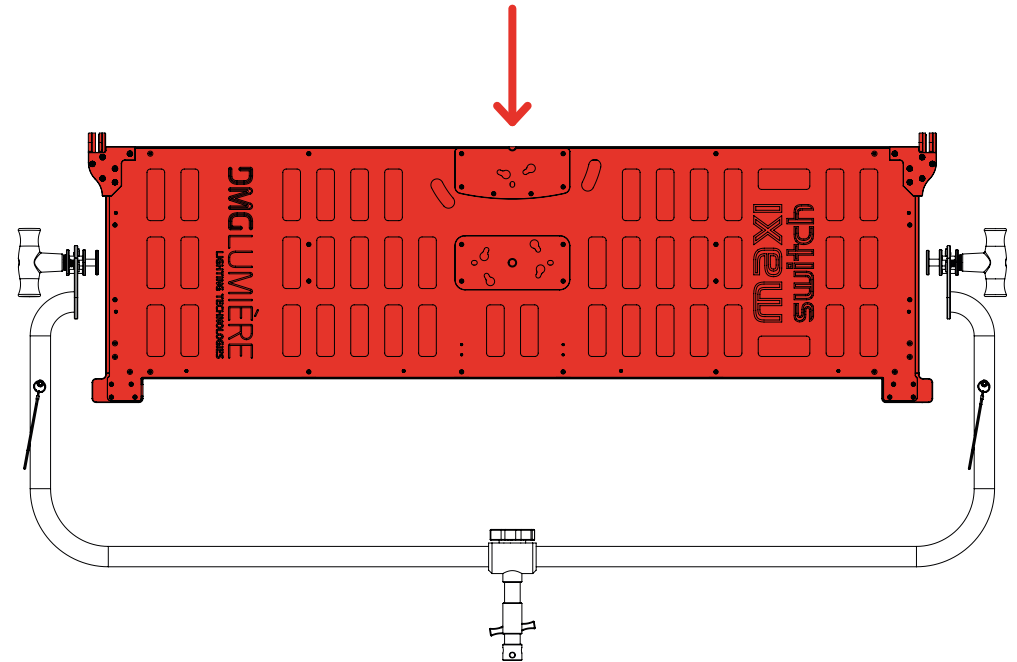
## STEP 1:

- Install the spigot on the MAXI YOKE with given wing knob.
- Install the MAXI YOKE on a stand (two spigot sizes available 16mm & 28mm).
- Make sure the handles are loose before installing the MAXI.



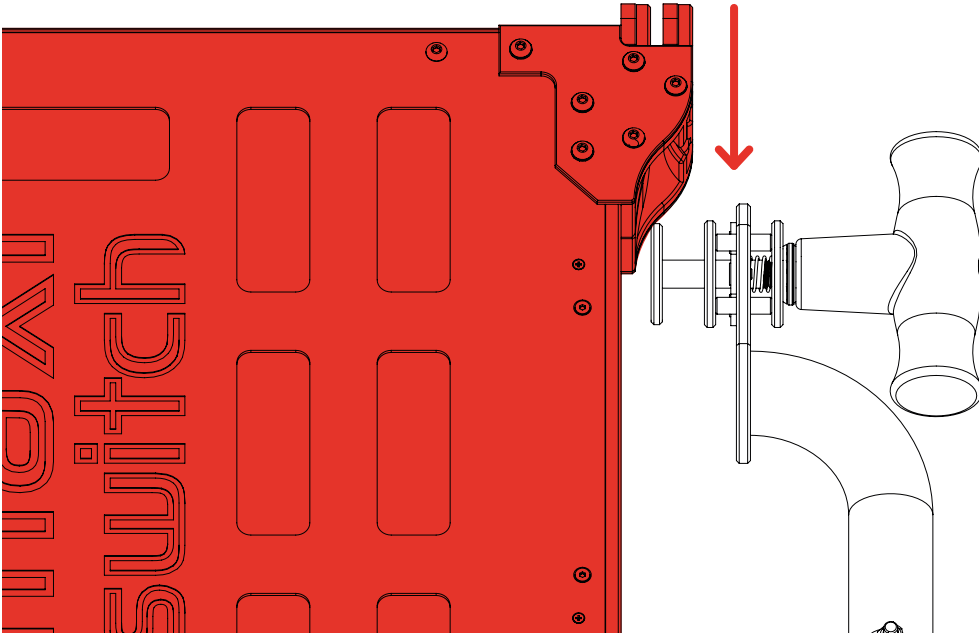
## STEP 2-a:

- Approach the MAXI Switch head light in folded position between the MAXI YOKE's arms.



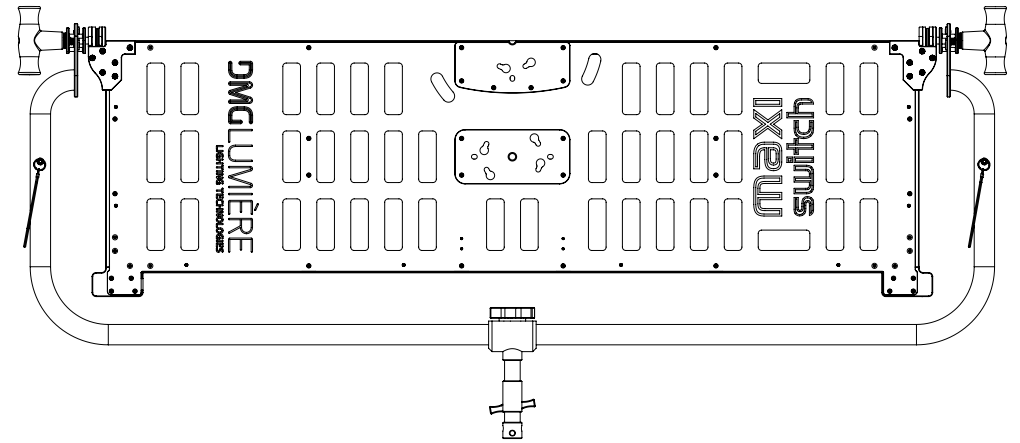
## STEP 2-b:

- Guide the MAXI Switch's grooves onto the disks of the MAXI Yoke.



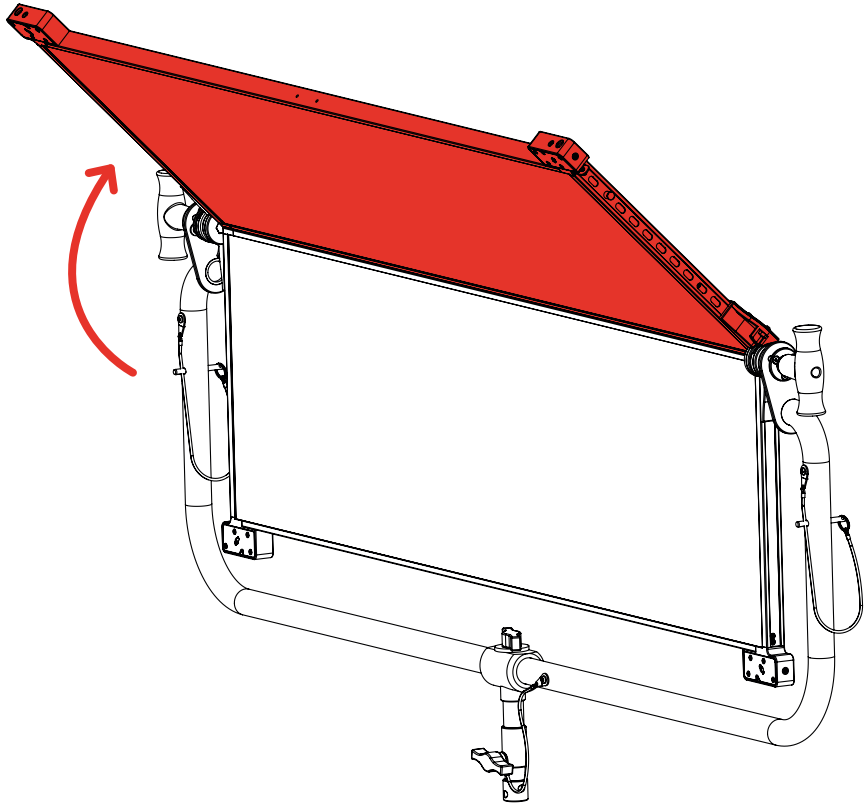
## STEP 3:

- The MAXI Switch head light is now installed on the MAXI YOKE.

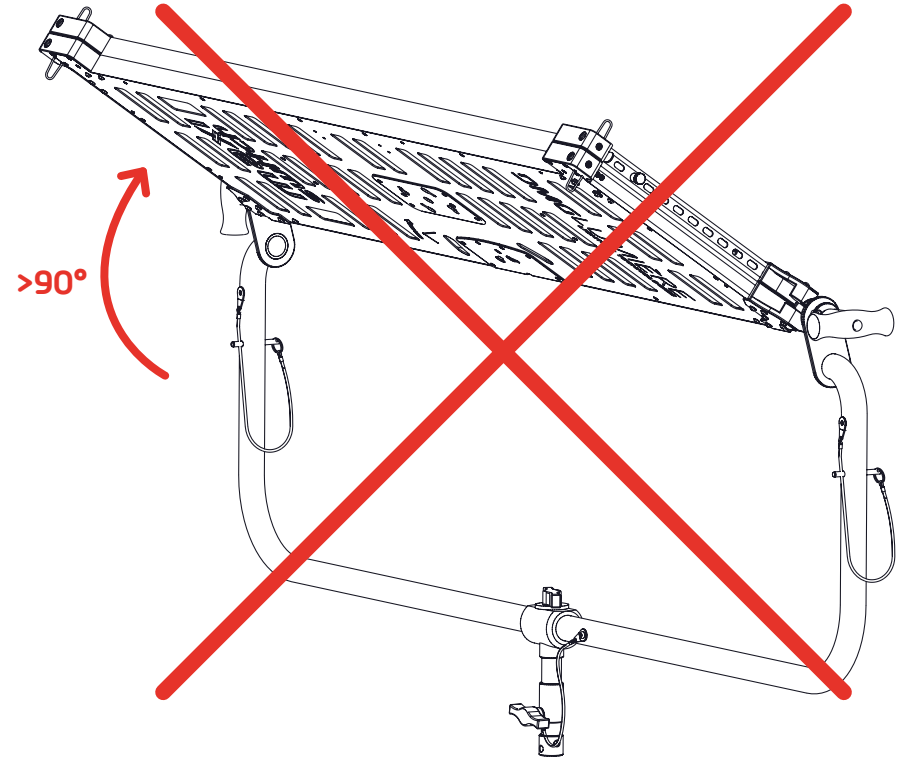


## STEP 4:

- Lift up one of the two panels until both are parallel.

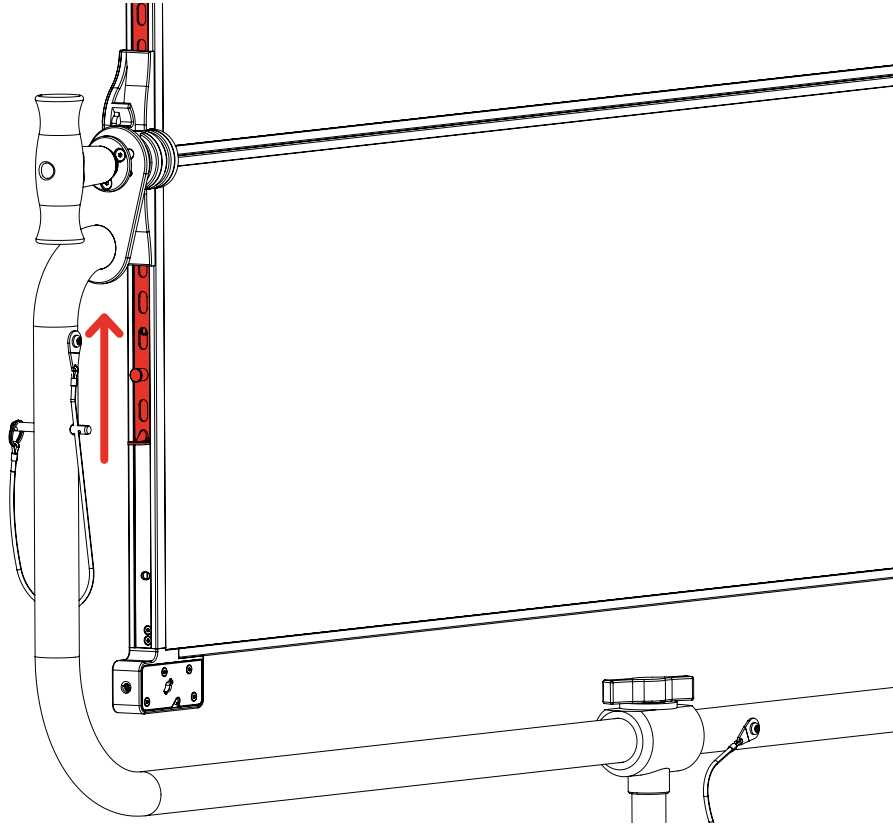


**SAFETY WARNING:** do not tilt the MAXI above 90° on the yoke when in closed position. It will disengage the Maxi from its yoke.



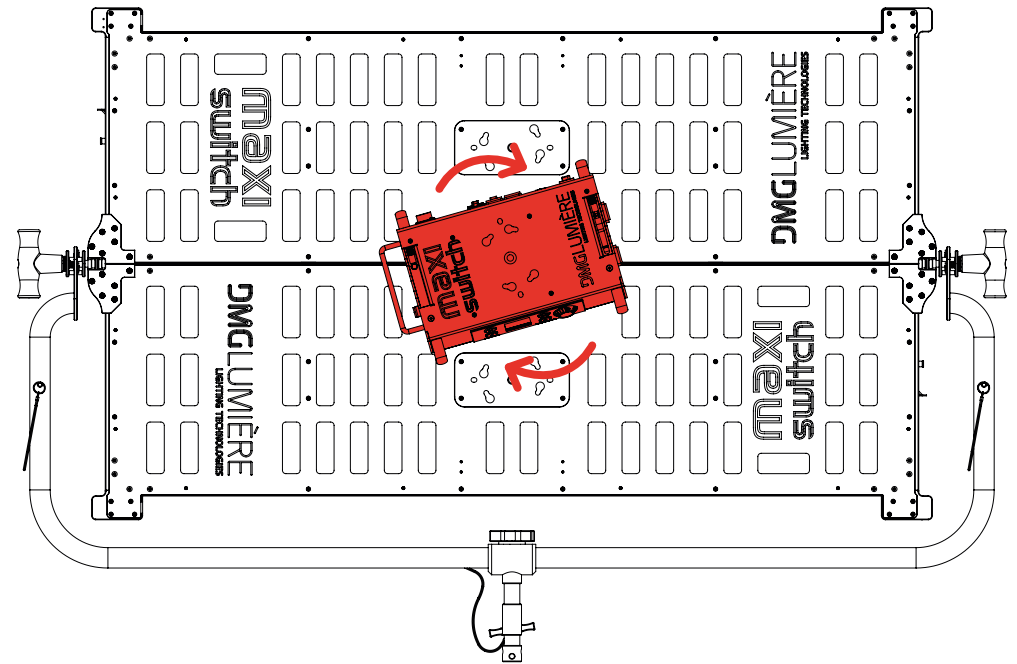
## STEP 5:

- Slide the safety catch into position on either side of the MAXI Switch.
- Plug the MAXI Switch head light to the MAXI CONTROLLER.



## TIP:

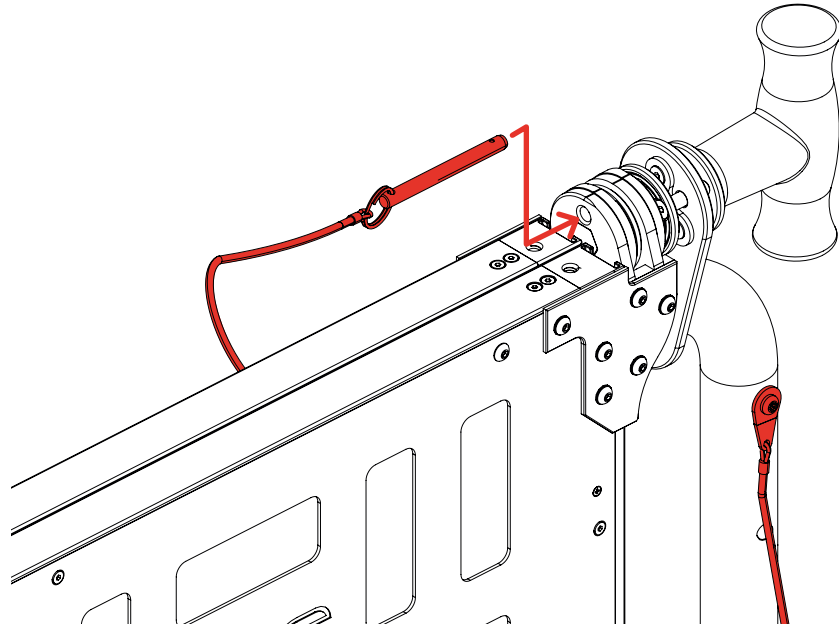
- If needed, you can install the MAXI CONTROLLER at the back of the fixture. To do so, twist and lock it as easy as the marks suggest it. Make sure the locking pin is in position.



**You are ready to light !**

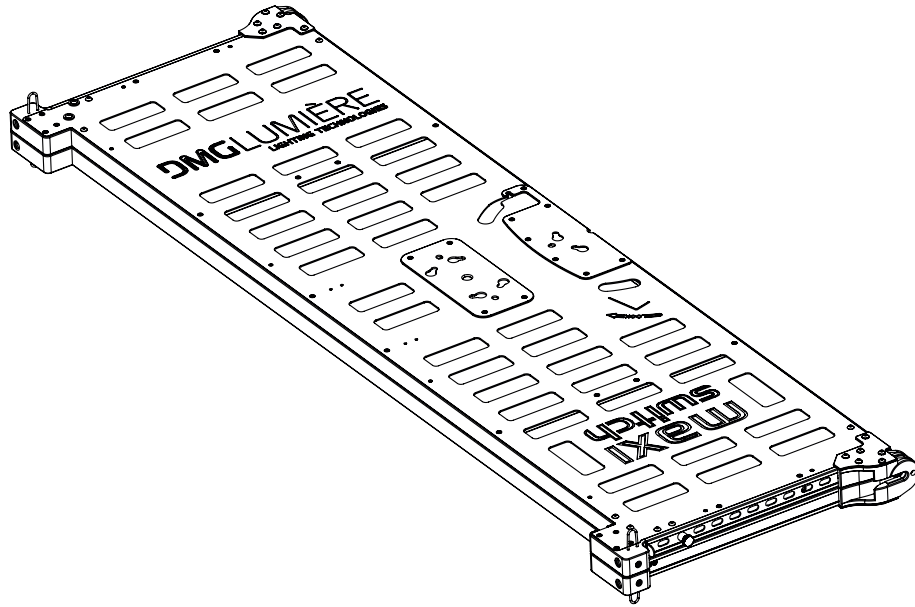
## TRANSPORTING THE MAXI WITH THE YOKE:

- Insert MAXI YOKE's ball pins on both sides to secure the MAXI Switch head light in folded position if needed (bag, transport, ect.). Ensure the handles are securely fastened.

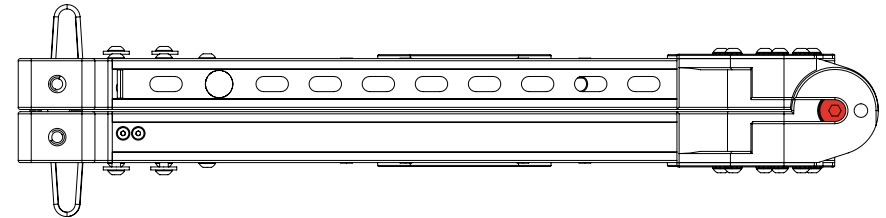


## SPLITTING PROCEDURE:

- Present the MAXI head light folded on a soft and flat surface.

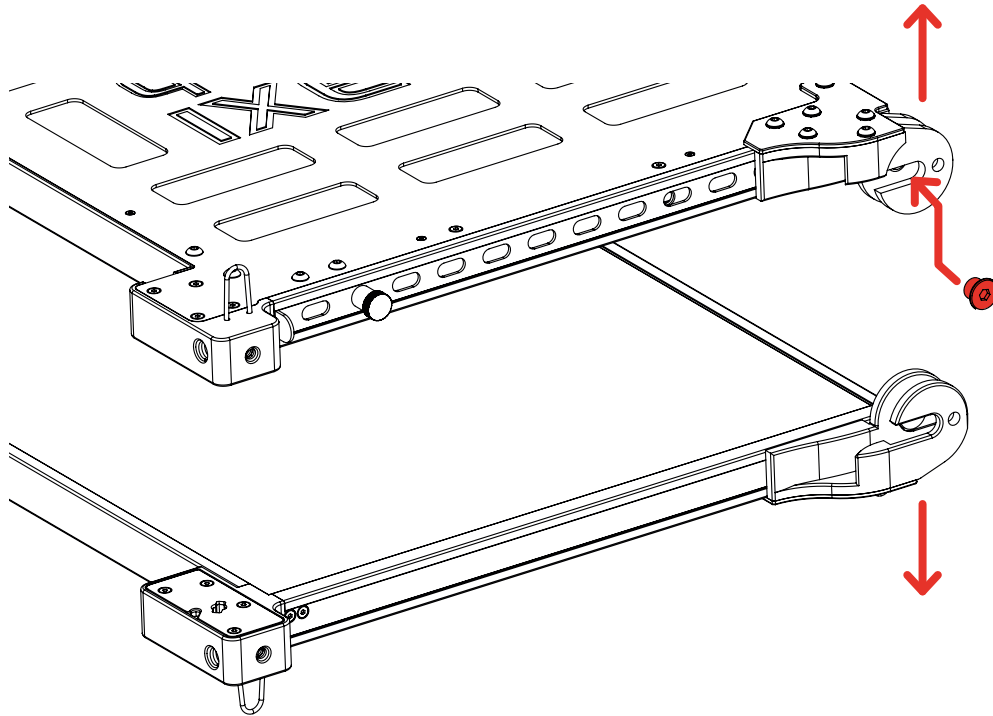


- Unscrew the nut with a 5mm allen key on both sides.  
You will be able to remove it completely once the two panels are separated.



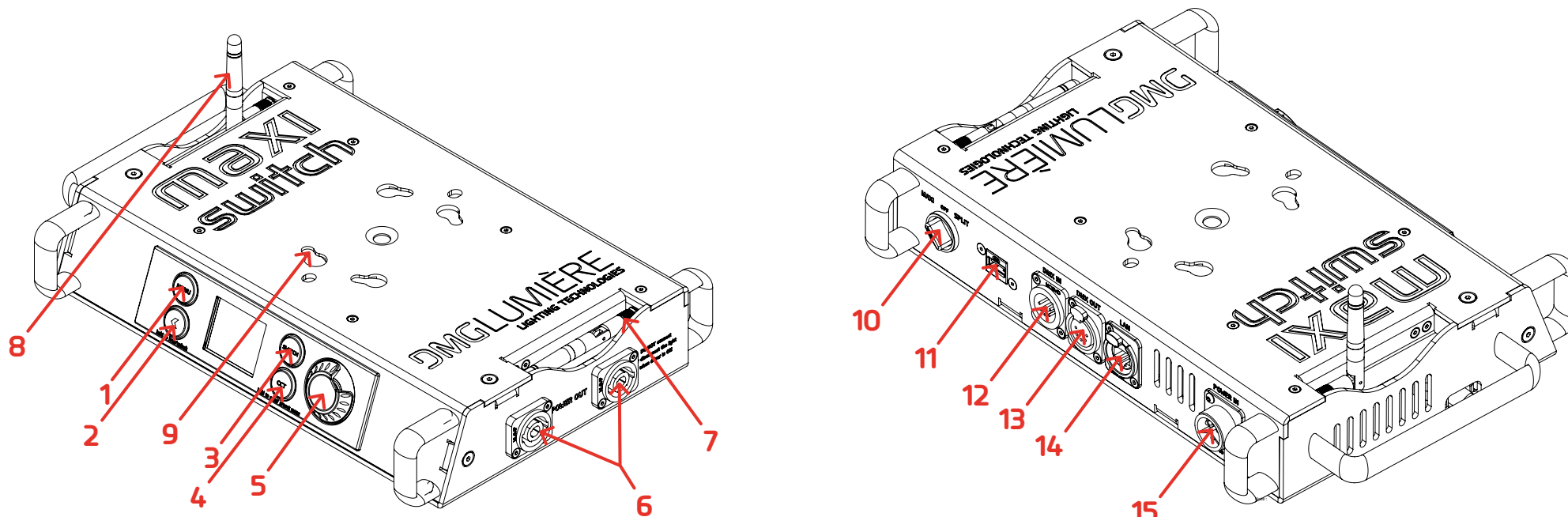
## SPLITTING PROCEDURE (Continued):

- Once the nuts are loose, separate the panels.  
You can screw back each nut on it's axis in order not to loose them.





# MAXI-CT-SW



## 1. Menu

- Go to the general menu

## 2. Back

- Step back in menu
- Lock/unlock MAXI Switch when pressed for 2secs

## 3. Switch

- Change between CCT and intensity control
- Hold the Switch button for 2secs to activate split mode and control each panel separately

## 4. CCT

- Quickly change from 3200°k to 5600°K
- Enter the preset menu to store or recall values when pressed for 2secs

## 5. Dimmer button

- Press to change intensity or CCT
- Select fine or coarse dimming when pressed
- Navigate through the menu and push to validate

## 6. 24V outputs to light

## 7. Wi-Fi antenna

## 8. Wireless DMX antenna

## 9. Mounting plate for K1 and K2 mount

## 10. ON/OFF selector

- Select witch mode to power the light on

## 11. USB plug

- Upgrade the MAXI Switch's firmware

## 12. DMX IN

## 13. DMX OUT

## 14. LAN IN

## 15. 24VDC input

# MAXI SWITCH USER MANUAL

1. Connect the Maxi Switch Controls (MAXI-CT-Sw) to the MAXI power supply unit (MAXI-PSU-Sw) and connect the power supply to a 110VAC or 220VAC plug. You can also input any 24VDC (min 20A) into the Maxi Switch Controls.
2. Connect the head light to its controller.
3. Turn on the MAXI Switch by selecting which power mode you want to use (MAXI or SPLIT) with the selector.

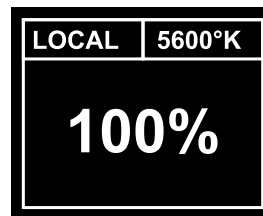
## Four modes are available:

- LOCAL MODE
- DMX MODE
- Wireless DMX MODE
- CUSTOM MODE

## LOCAL MODE:

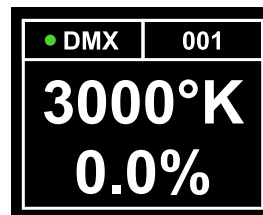
Control the MAXI Switch locally with the dimmer button.

- Press the Switch button to change between CCT and intensity control
- Press CCT button for a quick change between 3200°K and 5600°K
- Press the dimmer button to select coarse or fine intensity tuning



## DMX MODE:

Control the MAXI Switch remotely with the cabled DMX protocol.

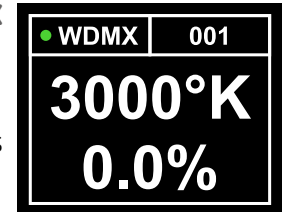


- Press the dimmer button to select the DMX address of the MAXI Switch
- DMX dot is red when no signal is received, green when the MAXI Switch is receiving DMX data.

## Wireless DMX MODE:

Control the MAXI Switch remotely with the Wireless DMX protocol

- Make sure the Wireless DMX antenna is installed
- Press the dimmer button to enter the DMX address of the MAXI Switch
- Validate by pressing go



Wireless DMX dot is red when no signal is received, green when the MAXI Switch is connected to a Wireless DMX emitter.

To synchronize with a new emitter, go back to general menu and enter Wireless DMX mode again.

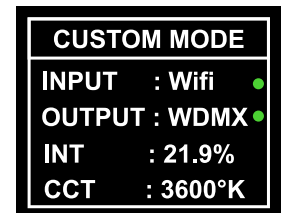
## CUSTOM MODE:

In custom mode the MAXI Switch acts as a translator between different protocols. It still controls the head light connected to it.

- Make sure the Wireless DMX antenna is installed if using Wireless DMX
- Make sure the Wi-Fi antenna is installed if using Wi-Fi
- Press the dimmer button to select data input, data output and DMX/Wireless DMX address
- Validate by pressing go

If Wi-Fi input is selected, the MAXI Switch creates a Wi-Fi network with the following specifications:

SSID: MAXI [serial number]  
Password: dmglumiere



## CUSTOM MODE (Continued):

These informations can be find in the “info” section of the MAXI Switch Controls menu.

Wireless DMX dot is red when no signal is received, green when the MAXI Switch is connected to a Wireless DMX emitter.

- To synchronize with a new emitter, go back to general menu and enter Wireless DMX mode again

Wi-Fi dot is red when no signal is received, green when the MAXI Switch is connected to a Wi-Fi device with an Art-Net app enabled.

## UPGRADING THE MAXI SWITCH:

- Download the firmware from DMG Lumière website:  
[dmglumiere.com/upgrade](http://dmglumiere.com/upgrade)
- Copy the file to a USB stick
- Insert the USB key in the MAXI Switch

If a correct file is found on the USB stick, the MAXI Switch will prompt an upgrade menu

- Select YES to upgrade
- Wait for the upgrade process to finish, the MAXI Switch will turn off and on by itself to make the upgrade active

## PRESET MENU:

- By holding the “CCT” button for 2 seconds in LOCAL MODE, you enter the preset menu. Here you can store presets or recall stored presets.

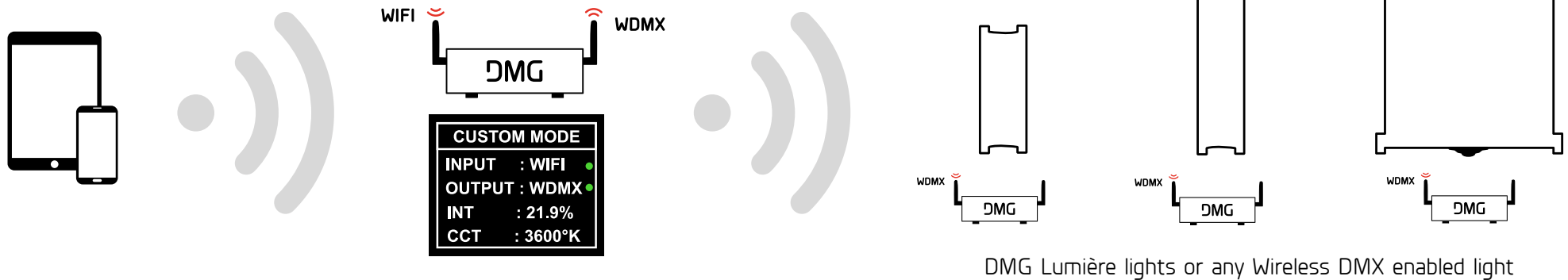
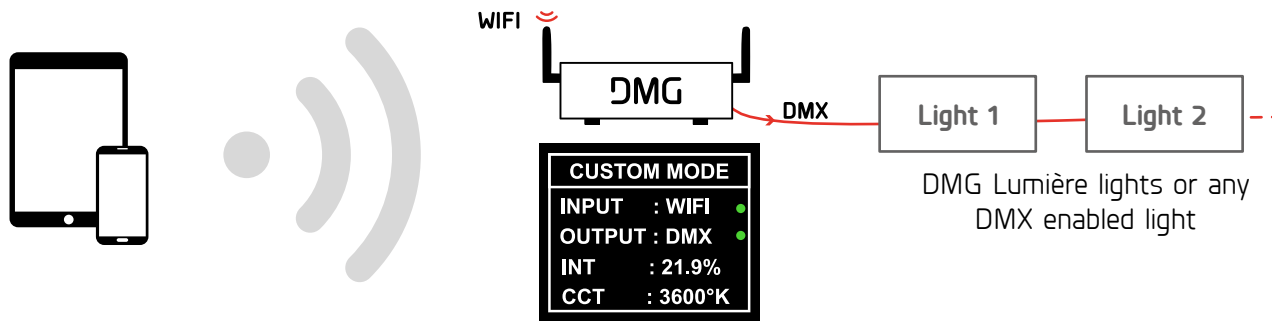
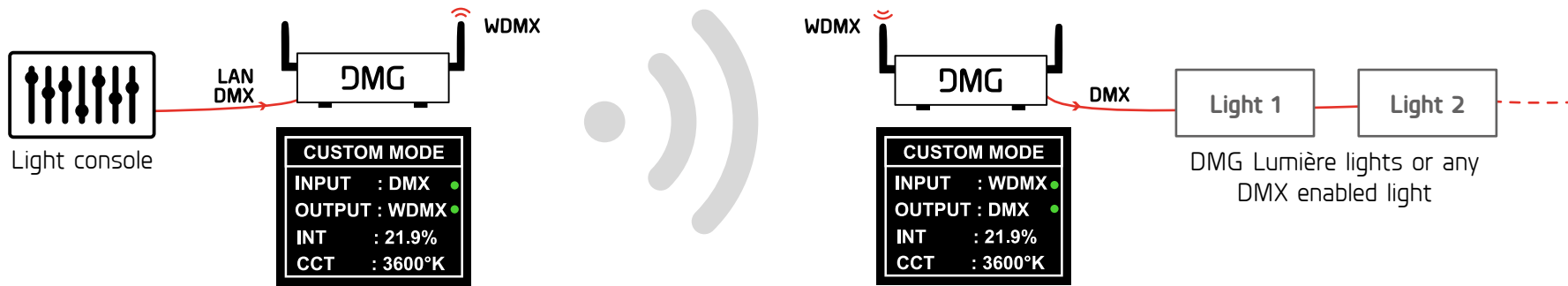
## SPLIT MODE:


- If you turned the MAXI Switch on SPLIT MODE, By holding the “SWITCH” button for 2 seconds you enter the SPLIT MODE where you control each panel independantly
- Two successive screens will appear when selecting DMX/Wireless DMX address, corresponding two each panel
- By selecting «Panel 1+2», you can control the panels’ brightness together, without modifying their initial color temperature nor brightness difference

## INFO:

Displays the firmware version, the Network name and password for the Wi-Fi mode.

# UBB/MAXI CT USAGE EXAMPLE



Our wireless DMX is compatible with any  lumenradio powered devices.

# MAXI SWITCH STANDARD CABLES DIAGRAM

## MAXI DRIVER OUTPUT

NEUTRIK SpeakCON  
2x NL4MP



NL4FC

10 meters  
2x13 AWG



NLT4MX-BAG

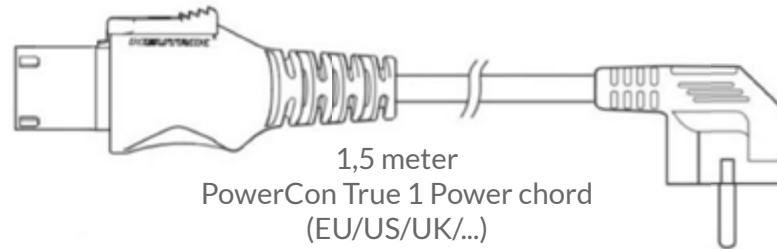
## MAXI HL INPUT

NEUTRIK SpeakCON  
2x NL4FC

QTY: 2

## MAXI PSU INPUT

NEUTRIK PowerCON  
True1 Duplex  
NAC3PX



1,5 meter  
PowerCon True 1 Power chord  
(EU/US/UK/...)

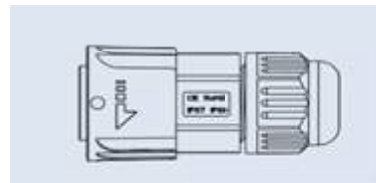
## 110/220V

Standard  
plug

QTY: 1

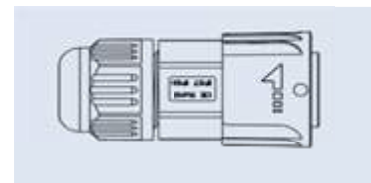
## MAXI PSU OUTPUT

CHOGORI 24-003636-02



CHOGORI  
24003131-04

2m  
2x13 AWG



CHOGORI  
24003231-04

## MAXI DRIVER INPUT

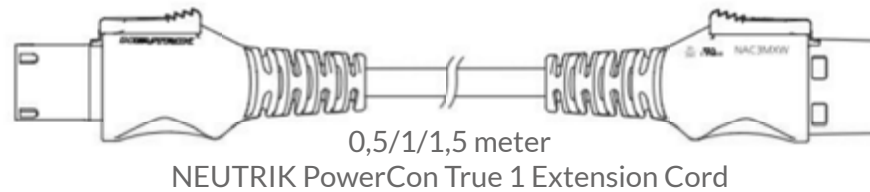
CHOGORI 24-003536-02

QTY: 1

# MAXI SWITCH OPTIONAL CABLES DIAGRAM

## MAXI PSU 110/220V INPUT

NEUTRIK PowerCON  
True1 Duplex  
NAC3PX

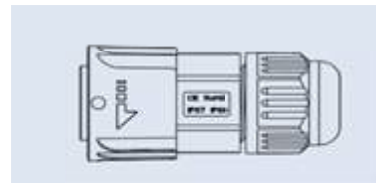


## MAXI PSU 110/220V OUTPUT

NEUTRIK PowerCON  
True1 Duplex  
NAC3PX

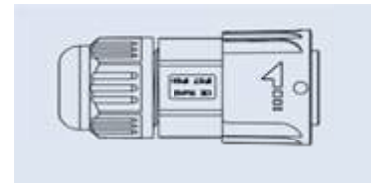
## MAXI PSU OUTPUT

CHOGORI 24003636-02



CHOGORI  
24003131-04

10 meters  
2x13 AWG



CHOGORI  
24003231-04

## MAXI DRIVER INPUT

CHOGORI 24003536-02