

FUJIFILM

expect INNOVATION™

EXCEED SERIES



XA20sx8.5BERM

Technology That Inspires...

FUJINON

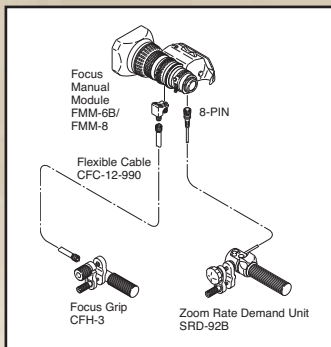
XA20sx8.5BERM



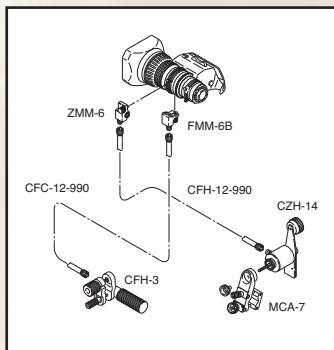
Zoom Ratio / Format	20X / 2/3"
Focal Length	8.5 to 170 mm
Extender	(2X) 17 to 340 mm
Maximum Relative Aperture	1:1.8 (8.5 ~ 113 mm) 1:2.7 (170 mm)
Maximum Photometric Aperture T-No.	1:9.1 (175 mm)
Angular Field of View 16:9 Aspect Ratio	8.5 mm 58° 51' x 35° 11' 170 mm 3° 14' x 1° 49' (2X)17 mm 31° 30' x 18° 01' 340 mm 1° 37' x 0° 54'
M.O.D. from Image Plane	1.1m
M.O.D. from Front of Lens	0.9m
Object Dimensions at M.O.D.	8.5 mm 910 x 511 mm 170 mm 47 x 26 mm (2X) 17 mm 469 x 264 mm 340 mm 24 x 13 mm
Filter Size	ø 82mm P=1 (On Barrel)
Dia ø x Length (w/o Hood)	ø85 x 180.8 mm
Weight (w/o Hood)	1.58 kg (RM)
Options	Ratio Converter / 16 Bit Encoder
Features	Inner Focus / Quick Zoom

ACCESSORIES: HD & SD ENG/EFP PROFESSIONAL REAR CONTROL KITS

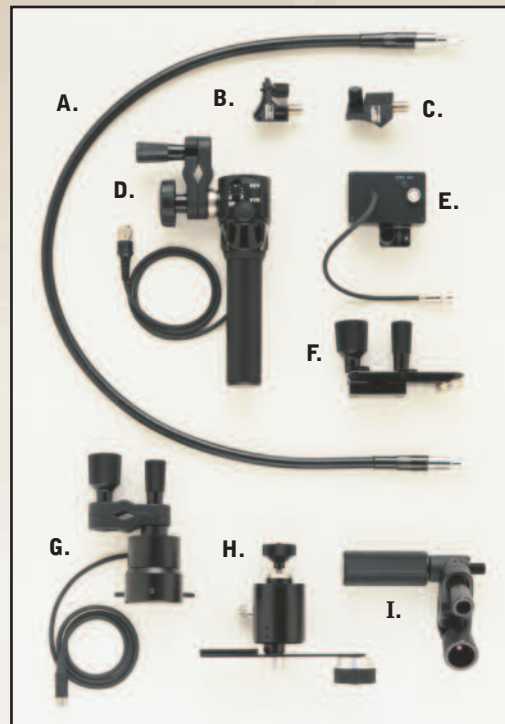
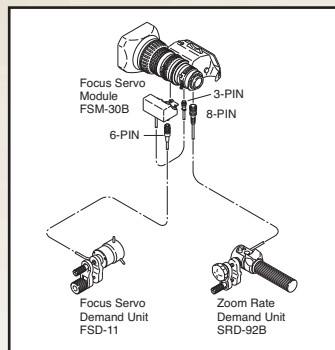
MS-01 Manual Focus/Servo Zoom



MM-01 Manual Focus/Manual Zoom Not available on S16x7.3



SS-01 Servo Focus/Servo Zoom Not available on S16x7.3



- A. CFC-990 Flex Cable
- B. FMM-6B/FMM-8* Focus Manual Module
- C. ZMM-6 Zoom Manual Module
- D. SRD-92B Zoom Demand
- E. FSM-30B Focus Servo Module
- F. MCA-7 Mounting Clamp
- G. FSD-11 Focus Demand
- H. CZH-14 Zoom Handle
- I. CFH-3 Focus Handle

*FMM-8 for use with S16x7.3

*Specify camera type.

For Sales Contact Information go to
www.Fujinon.com