

VL-2X

2ch Sequential Quick Charger



Instruction Manual

Thank you for purchasing the VL-2X 2 channel sequential charger with DC output. The VL-2X is designed to charge V-Mount Lithium Ion batteries. Prior to using the charger, IDX recommends to read this Instruction Manual and keep this manual for future reference.

⚠ WARNING

May cause sudden serious injury and death

- Do not connect to an AC power source that exceeds the voltage specification stated on the unit.
- Use only with the compatible batteries listed in this manual.
- Do not short the contact pins with any metal object.
- Do not carry or store with metal equipment.
- Do not immerse in water.
- Do not attempt to open the outer casing or break apart.
- Do not subject the unit to extreme physical impact or pressure, or place any object across the terminals that could cause it to short.
- Do not attempt to use if damaged.
- Protect the power cord from any damage.

⚠ CAUTION

May cause sudden serious injury and death

- The unit should be used under the conditions listed in this manual.
- Do not expose the unit to extremely high temperatures.
- Use the approved power cord / appliance connector / plug conforming to the proper ratings (voltage, ampere) and safety regulations of each country if applicable.
- Keep the unit away from excessively dry or humid environments.
- Stop charging immediately if the charging does not complete within the designated time.
- In case of abnormal smell, leak, color change or case deformity during use, turn the power off and unplug the cable from the socket to avoid possible injury.
- This is a class A product in a domestic environment this product may cause radio interference in which case the user may be required to take adequate measures.

Features

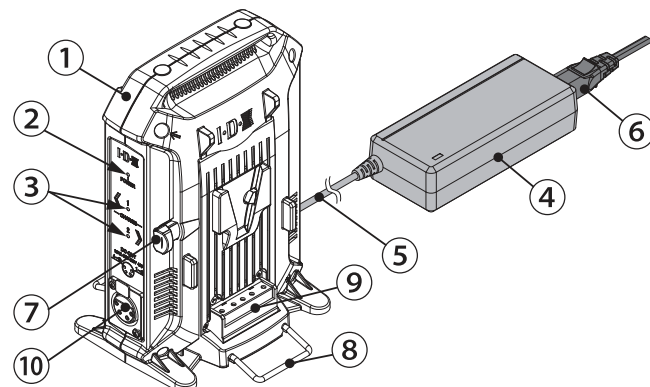
- Universal AC input for world-wide use.
- Sequential quick charge.
- Built in 36W camera power supply.
- Auto safety & protection features.
- Recovery charge mode for low voltage batteries.
- Auto-stop charging if battery fails to reach 100% within the designated time.
- Over voltage protection stops charging when the battery voltage exceeds the designated charge level.
- Protection circuitry activates when a battery fault is detected.
- NP Type Lithium ion batteries can be charged via optional A-E2NP charger adaptor.

Specifications

- Recommended batteries : IDX V-Mount Lithium Ion batteries
IDX NP Type Lithium ion battery (Using A-E2NP)
- AC adaptor input voltage : AC100V~240V 50 / 60Hz Automatic
- AC adaptor : UT60-150400 (Shenzhen Uniontop Electronics Co.,Ltd)
- Power consumption : MAX 140VA
- Operating temperature : 0~40°C / 32~104°F
- Operating humidity : 20%~90% RH
- Charging method : Constant current and constant voltage
- Charging output : 16.8V 1.9A / MAX 2.7A
- Recovery charge current : approx.400mA
- DC output : MAX 36W (15V \pm 2.4A)
- Battery protection timer : Recovery charge approx 120 min
Quick charge approx 520 min
- Dimensions : approx. 87.4 (W) \times 183.3 (H) \times 126.6 (D)mm
approx. 3.44 (W) \times 7.22 (H) \times 4.98 (D)inches
- Weight : Charger body approx. 430g / 0.95lbs
AC adaptor approx. 320g / 0.70lbs
- Charge time standard :

CUE-D75	E-HL9 / E-HL10DS / CUE-D95 / DUO-95	ELITE / CUE-D150 / DUO-150
approx. 170min	approx. 210min	approx. 300min

Location and Function of Parts



- 1 Charger body
- 2 Power LED (POWER)
- 3 Charge LED (CHARGE)
- 4 AC adaptor
- 5 DC plug / DC cable
- 6 AC plug / Power cord
- 7 Battery release lever
- 8 Support stand
- 9 Charging connector
- 10 DC out (XLR connector 4pin female)

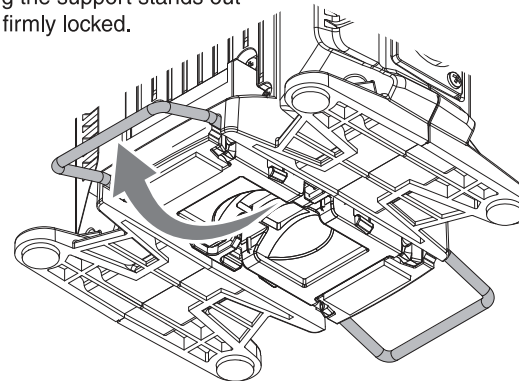
Safety Features

- VL-2X is equipped with various Internal Safety Features that protect both the battery and charger from serious damage.
- The charger starts recovery charging if the voltage of mounted battery is under 12V. (Solid Red)
- The charger will stop charging if the battery voltage does not reach 12V after 120mins of charging. (Flashing Amber)
- The charger stops charging automatically if the battery is not fully charged after 520mins from quick charging state. (Flashing Amber)
- The charger stops charging if the mounted battery is unusual. (Flashing Amber)

Operating Instructions

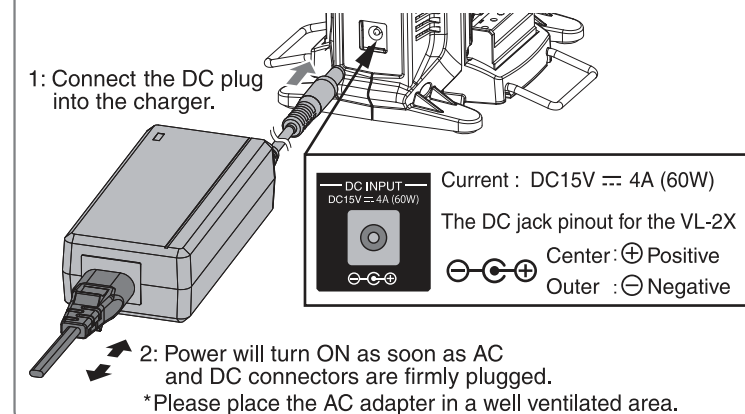
① How to Use the Support Stand

- * Swing the support stands out until firmly locked.



② Connect the AC Adapter

- 1: Connect the DC plug into the charger.



- 2: Power will turn ON as soon as AC and DC connectors are firmly plugged.
- *Please place the AC adapter in a well ventilated area.

③ Charger Operation

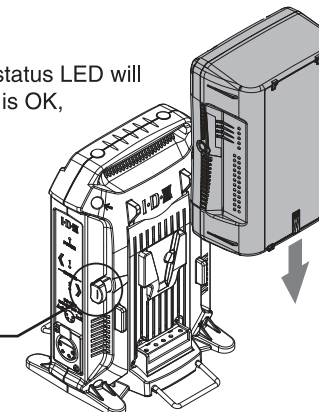
- 1: Install the battery as shown.

- 2: When the battery pack is mounted, a status LED will turn ON. If the condition of the battery is OK, charging will automatically start.

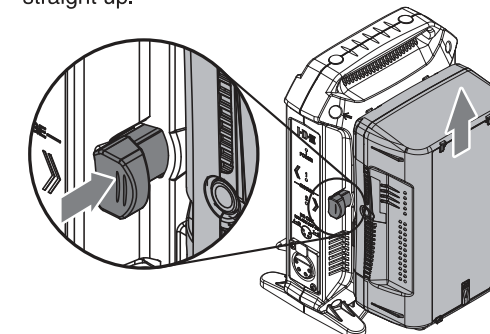
- 3: Charging will automatically stop when the battery is fully charged.

- *Please mount the battery until the battery release lever is firmly locked.

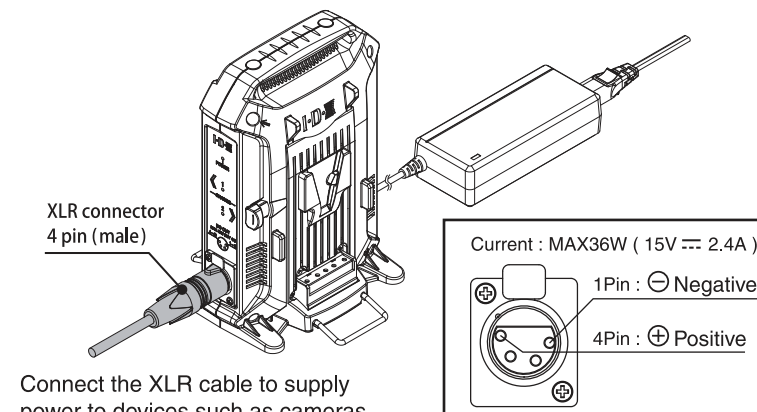
- *For your safety, Do not carry the charger while the battery is attached.



- 4: When removing the battery from the charger, firmly press the release lever while lifting the battery straight up.



④ DC output Operation

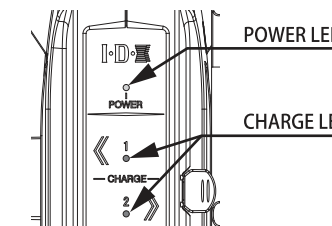


- Connect the XLR cable to supply power to devices such as cameras.

While the VL-2X operates as a charger, the DC output function is disabled. While the DC output is in operation, charging is disabled.

- *Please make sure to check the power consumption of connected device prior to using the VL-2X's DC output.

⑤ Status LED Indicator



LED indicator states

Indication	Status
Light Off	No battery or charging standby
Solid Red	Recovery / quick charge in progress
Flashing Red	Charger fault
Solid Green	Fully charged
Flashing Amber	<ul style="list-style-type: none"> • Battery protection timer activated while recovery charging • Over voltage protection circuitry activated

Design and specifications are subject to change without notice.



Manufacturer : IDX Company, Ltd. 6-28-11 Shukugawara, Tama-ku, Kawasaki-shi, Kanagawa-ken, 214-0021 Japan
Tel : +81-44-850-8801 Fax : +81-44-850-8838 E-mail : idx.japan@idx.tv

Importer for EU : IDX Technology Europe, Ltd. Unit 9, Langley Park, Waterside Drive, Langley, Berkshire SL3 6AD, England
Tel : +44-1753-547692 Fax : +44-1753-546660 E-mail : idx.europe@idx.tv

Importer for USA : IDX System Technology, Inc. 19001 Harbortgate Way, Suite 105, Torrance, CA 90501 USA
Tel : +1-310-328-2850 Fax : +1-310-328-8202 E-mail : idx.usa@idx.tv



201602