



TLM 103



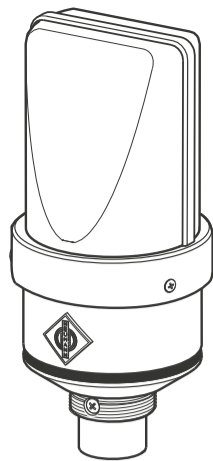
PUBL. 06/18 · 575872/A01

Quick Guide  
 Kurzanleitung  
 Guide rapide  
 Guida rapida  
 Guía de inicio rápido  
 Pikaohje  
 Γρήγορος οδηγός  
 Kısa Kılavuz  
 Краткая инструкция

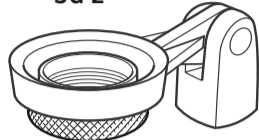
Guia rápido  
 Beknopte handleiding  
 Krótka instrukcja obsługi  
 Snabbguide  
 Kort vejledning  
 快速指南  
 クイックガイド  
 퀵 가이드

GEORG NEUMANN GMBH · LEIPZIGER STR. 112 · 10117 BERLIN · GERMANY  
 TEL +49 (0)30 / 41 77 24 -0 · FAX -50  
 HEADOFFICE@NEUMANN.COM · WWW.NEUMANN.COM

TLM 103

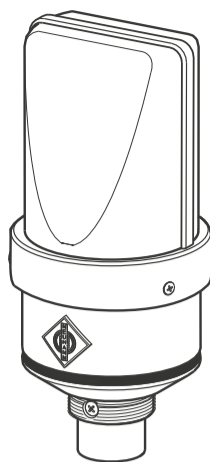


SG 2

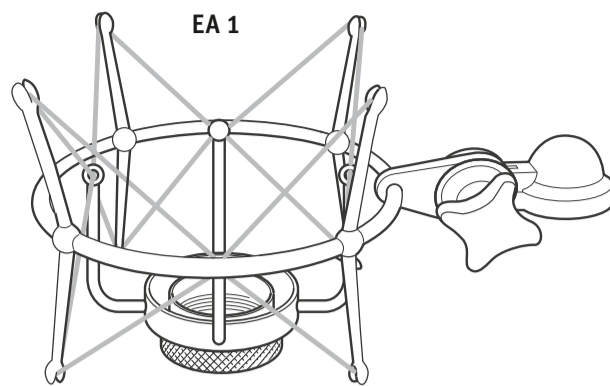


Mono Set | Studio Set

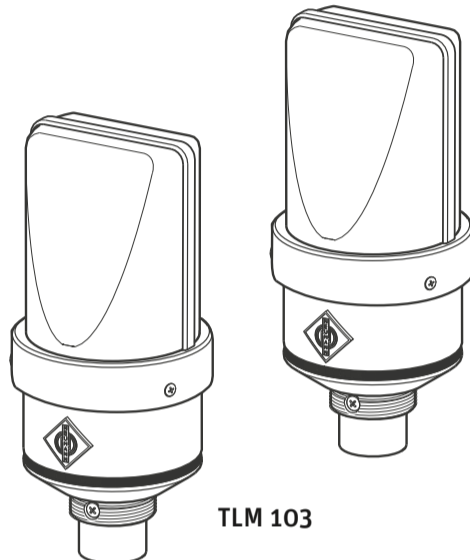
TLM 103



EA 1

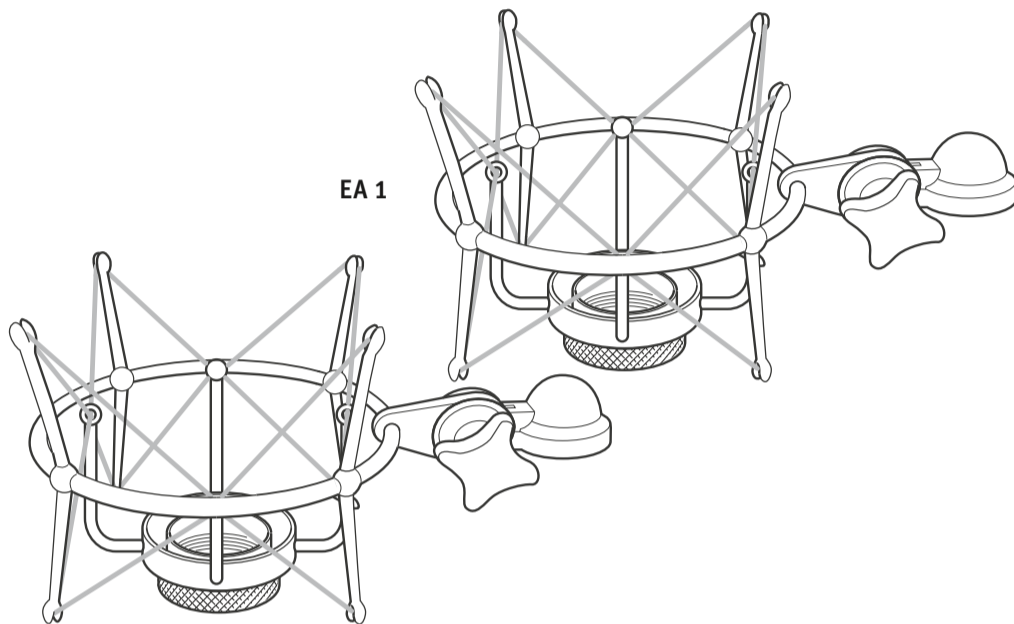


Stereo Set



TLM 103

EA 1



For details on further optional accessories see [www.neumann.com](http://www.neumann.com)



Instruction manual | Bedienungsanleitung | Notice d'emploi |  
 Istruzioni per l'uso | Instrucciones de manejo | Manual de  
 instruções | Gebruiksaanwijzing | Instrukcja obsługi |  
 Bruksanvisning | Betjeningsvejledning | Käyttöohje | Οδηγίες  
 λειτουργίας | Kullanım kılavuzu | Инструкция по эксплуатации |  
 使用说明书 | 取扱説明書 | 사용 설명서 |

[www.neumann.com](http://www.neumann.com) | TLM 103

Specifications

Acoustic operating principle	Pressure gradient transducer
Directional pattern	Cardioid
Frequency range	20 Hz - 20 kHz
Sensitivity at 1 kHz into 1 kΩ	23 mV/Pa $\approx$ -32.5 dBV $\pm$ 1 dB
Rated impedance	50 $\Omega$
Rated load impedance	1000 $\Omega$
Signal-to-noise ratio, CCIR <sup>1)</sup> (rel. 94 dB SPL)	76.5 dB
Signal-to-noise ratio, A-weighted <sup>1)</sup> (rel. 94 dB SPL)	87 dB
Equivalent noise level, CCIR <sup>1)</sup>	17.5 dB
Equivalent noise level, A-weighted <sup>1)</sup>	7 dB-A
Maximum SPL for THD $\leq$ 0.5% <sup>2)</sup>	138 dB
Maximum output voltage	13 dBu
Supply voltage (P48, IEC 61938)	48 V $\pm$ 4 V
Current consumption (P48, IEC 61938)	3 mA
Matching connector	XLR3F
Weight	450 g
Dimensions (diameter / length)	$\varnothing$ 60 mm / 132 mm
Operating temperature range	0 °C - +70 °C (32 °F - 158 °F)
Storage temperature range	-20 °C - +70 °C (-4 °F - 158 °F)
Humidity range	max. 90 % at +20 °C

<sup>1)</sup> according to IEC 60268-1; CCIR-weighting according to CCIR 468-3, quasi peak; A-weighting according to IEC 61672-1, RMS  
<sup>2)</sup> measured as equivalent el. input signal

