

# ProSUP

professional camera support

F-JIB  
NEXT  
GEN  
ERA  
TION



# PROSUP

professional camera support



the E-jib, next Generation arm is an ergonomic jib, constructed of high grade Aluminium which has been hard anodised for strenght and integrity.

Adjustable both front and rear of the jibs pivot point. The counterweight spindle is made to adapt standard weightlifting weights (Barbell) with a diameter of 30 mm.

Assembled in both over- and underslung configurations for optimum camera positions.

The Prosup E-Jib folds into an ergonomic configuration which allows easy packing into its Pelicase.

The total weight of the case and E-Jib is 16 kilo.

The Prosup E-Jib folds ergonomically for easy transport in a minimal size.

## E-JIB

# PROSUP

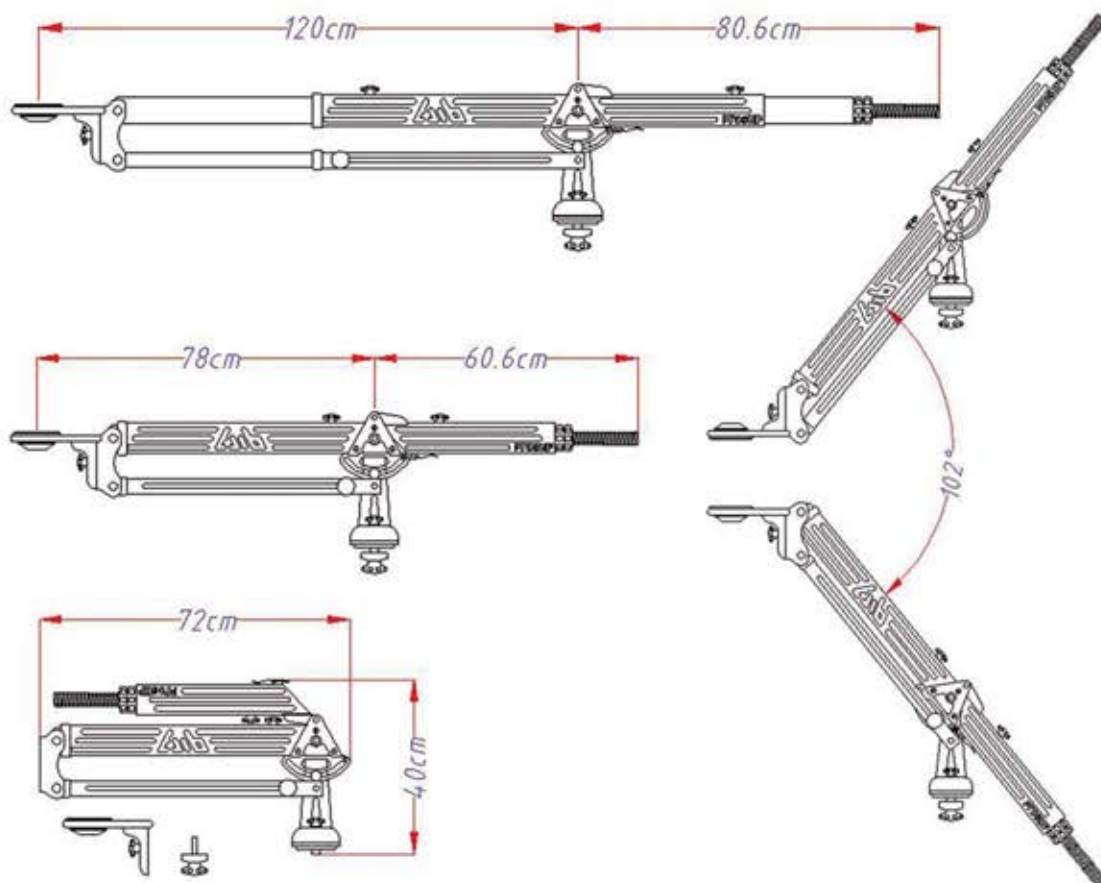
professional camera support



The **Jib-arm** folds down till 72 cm. and weighs no more than 11 kg.

The **E-jib** is an ergonomic jib, constructed of High Grade Aluminium which has been hard anodised for strenght and integrity of the product.

Adjustable both front and rear of the jibs pivot point to make the unit easy to operate. Assembled in both over- and underslung configurations for optimum camera positions.



SPE  
CIFI  
CATIONS

# PROSUP

professional camera support



The Prosup **E-Jib** folds into an ergonomic configuration which allows easy packing into its Pelicase, including foam-shaped insert.



E-JIB  
PELICASE