



Digital 6000

SK 6000 | Bodypack transmitter



FEATURES

- Digital, lightweight and rugged high performance body pack with a wide selection of microphones or as an instrument transmitter
- Intermodulation-free even at close proximity to multiple transmitters
- Large 88 MHz switching bandwidth ensures flexibility and reliable operation even in demanding RF environments

The lightweight SK 6000 digital pocket transmitter can be combined with lavalier microphones and headsets, and shines as a high-end solution for instruments like guitar and bass. Maximum transmission reliability of the renowned Long Range mode and outstanding audio quality of the Sennheiser Audio Codec (SeDAC) are shared with the wireless masterpiece, Digital 9000. Link Density Mode (LD mode) with efficiency-optimized Audio Codec (SePAC) ensures up to 5 channels per MHz bandwidth. Sophisticated electronics prevent disturbing intermodulation, even with numerous transmitters in the most confined spaces. This allows operation in an equidistant frequency grid and efficiently utilizes the available frequency spectrum.

The right microphone for every application: Sennheiser lavalier microphones MKE 1, MKE 2 and MKE 40, Headsets HSP 2, HSP 4 and SL Headmic.

A special magnesium housing offers the perfect balance between light weight, inconspicuous size and rugged construction with shielding against moisture. The BA 61 lithium-ion battery pack ensures up to 6.5 hours of operation. Alternatively, operation is also possible with batteries from the B 60 battery set.

Additionally, the transmitter is compatible with the EK 6042 and EM 9046 in Long Range mode.

DELIVERY INCLUDES

- SK 6000 bodypack transmitter
- antenna
- beltclip
- quick guide
- safety guide

COMPATIBLE WITH

- EM 9046 in Long Range mode
- EK 6042

SYSTEM COMPONENTS

- EM 6000 / EM 6000 DANTE
- SKM 6000
- SK 6212
- L 6000
- L 60

PRODUCT VARIANTS

SK 6000 BK A1-A4	Art. no. 506318
SK 6000 BK A5-A8	Art. no. 506319
SK 6000 BK B1-B4	Art. no. 506320
SK 6000 A5-A8 US	Art. no. 506375
SK 6000 A1-A4 JP	Art. no. 506349
SK 6000 A5-A8 JP	Art. no. 506350
SK 6000 B1-B4 JP	Art. no. 506351
SK 6000 A1-14 KR	Art. no. 506364
SK 6000 A5-A8 KR	Art. no. 506365
SK 6000 B1-B4 KR	Art. no. 506366



Digital 6000

SK 6000 | Bodypack transmitter

SPECIFICATIONS

Frequency range	470 to 718 MHz, subdivided into 3 ranges: SK 6000 A1 – A4: 470 – 558 MHz SK 6000 A5 – A8: 550 – 638 MHz SK 6000 B1 – B4: 630 – 718 MHz
Modulation scheme	Digital modulation - Long Range Mode (LR) - Link Density Mode (LD)
Audio codec	LR mode: SeDAC (Sennheiser Digital Audio Codec) LD mode: SePAC (Sennheiser Performance Audio Codec)
Switching bandwidth	88 MHz
Frequency stability	< 5 ppm
Tuneability	25 kHz steps
Encryption	AES 256 and Digital 9000 encryption
Lower cut-off-frequency (-3 dB)	Mic: adjustable, 30 Hz, 60 Hz, 80 Hz, 100 Hz, 120 Hz Line: 30 Hz, 60 Hz, 80 Hz, 100 Hz, 120 Hz
RF output power	LR: 25 mW rms LD: 3.5 mW rms
Audio frequency response	LR: 30 Hz to 20 kHz (3 dB) LD: 30 Hz to 14 kHz (3 dB)
Audio Gain	Mic: adjustable in 3 dB steps from 0 dB to +42 dB Line: adjustable in 3 dB steps from -6 dB to +9 dB
Input impedance	Mic: 22 k Ω ; Line: 1 M Ω
Mic / Line input	3-pin audio socket
Instrument cable emulation	Adjustable cable length with 3 steps
Antenna output	Coaxial socket
Operating time	6.5 h (with BA 61 battery pack)
Dimensions (H x W x D)	76 x 62 x 20 mm (with BA 61 battery pack)
Weight	Approx. 147 g (with BA 61 battery pack and beltclip)

ACCESSORIES

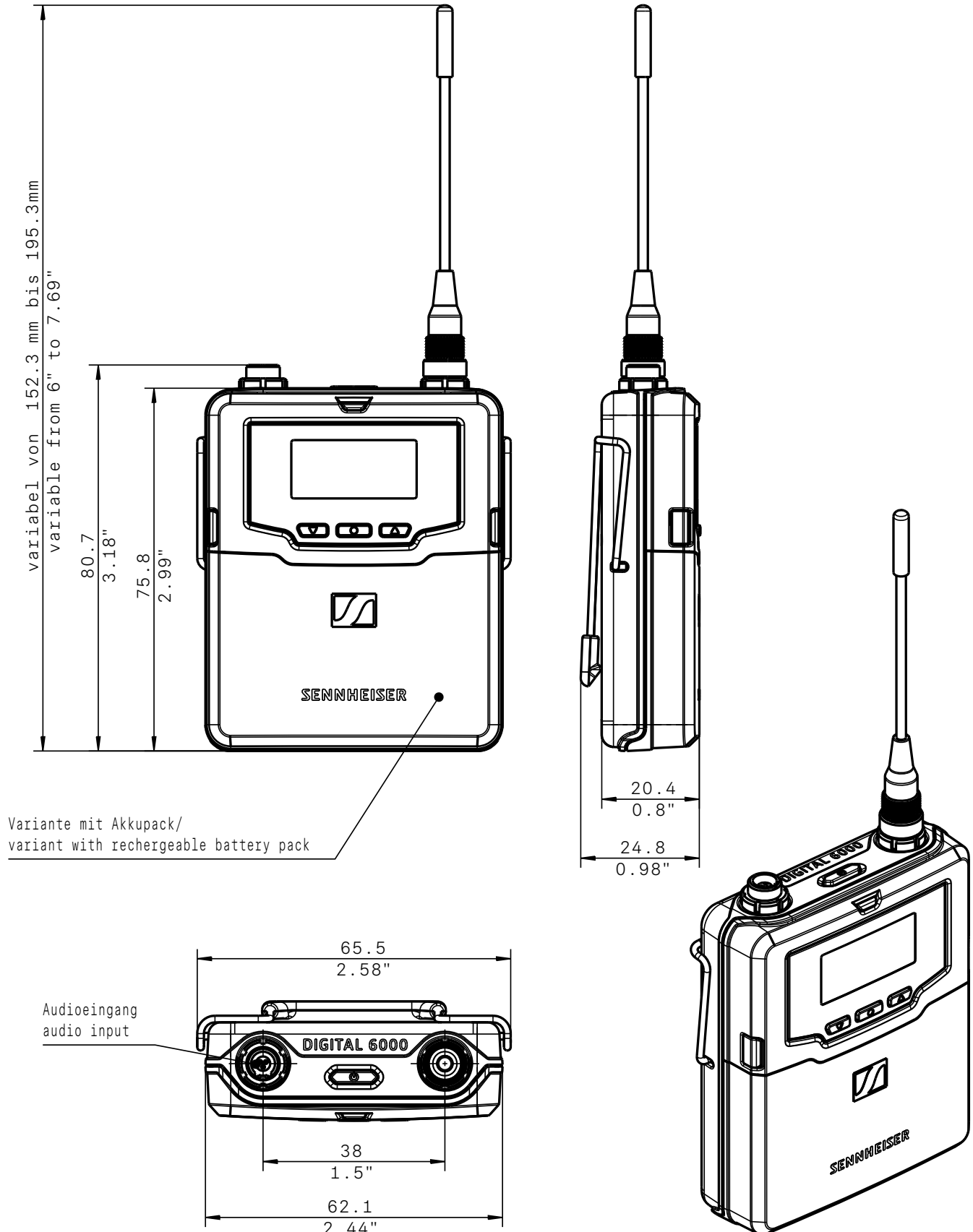
BA 61	Rechargeable battery	Art. no. 504703
B 61	Battery compartment	Art. no. 504701
MKE 1-4	Lavalier microphone, omni-directional	Art. no. 502167
MKE 2-4	Lavalier microphone, omni-directional)	Art. no. 004736
MKE 40-4	Lavalier microphone, cardioid	Art. no. 003579
HSP 2	Headset microphone, omni-directional	Art. no. 009862
HSP 4	Headset microphone, cardioid	Art. no. 009864
SL Headmic 1-4	Headset microphone, omni- directional	Art. no. 506905
CI 1-4	Guitar jack cable	Art. no. 503163



Digital 6000

SK 6000 | Bodypack transmitter

DIMENSIONS

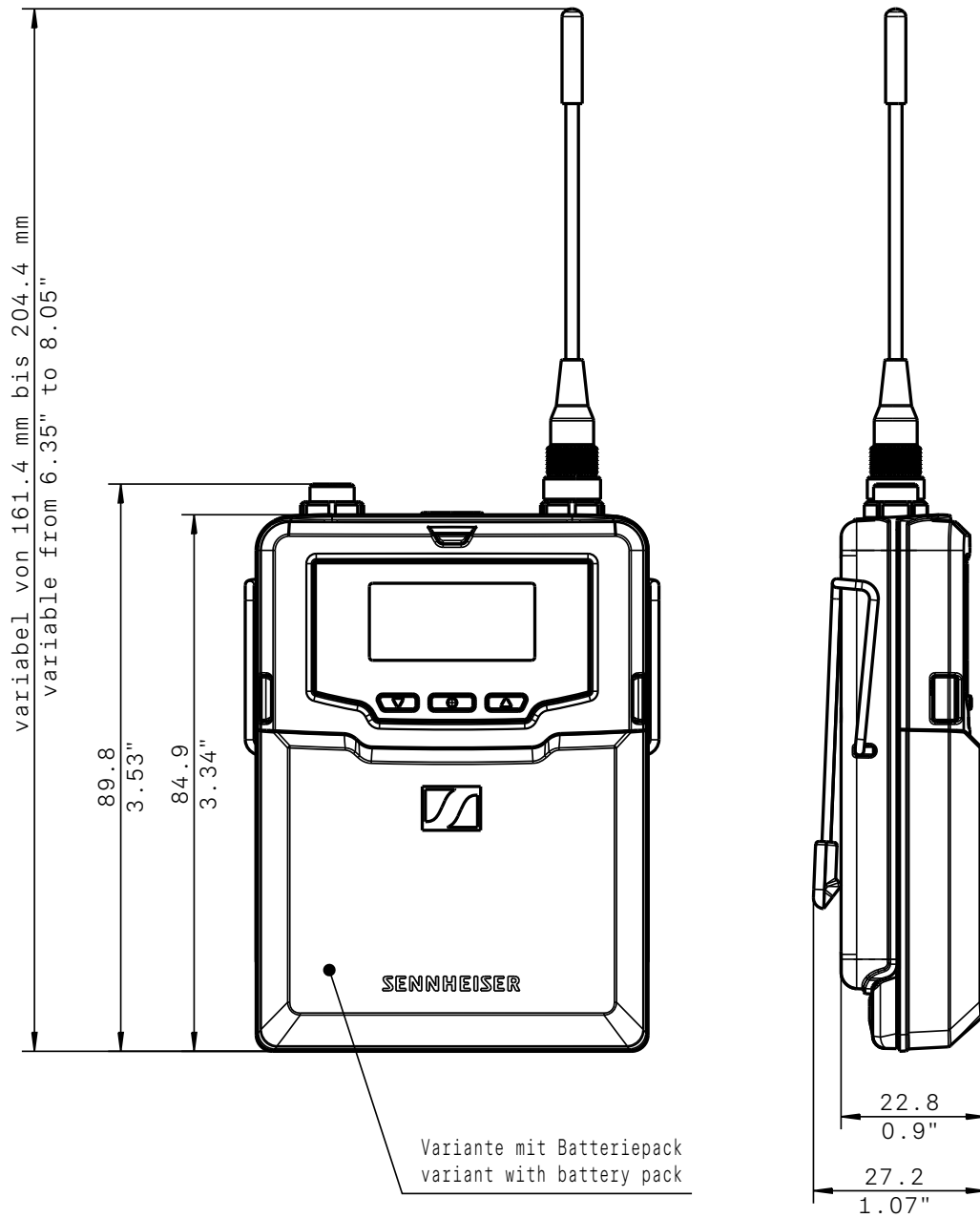




Digital 6000

SK 6000 | Bodypack transmitter

DIMENSIONS





Digital 6000

SK 6000 | Bodypack transmitter

ARCHITECT'S SPECIFICATION

The bodypack transmitter shall be for use with a companion receiver as part of a true digital wireless RF transmission system. The bodypack transmitter shall operate in the UHF frequency range between 470.200 and 717.900 MHz. Different frequency variants shall be available depending on country-specific regulations.

The bodypack shall feature a backlit LC display showing battery status, the frequency or the channel name, the status of the lock mode, the AES 256 encryption status and warnings. Remaining operating time shall be indicated by both a battery icon and numeric indication in hours and minutes. All transmitter parameters shall be adjustable with function buttons on the device itself or by infrared synchronization via the associated receiver. The function buttons shall be lockable against accidental misuse.

The frequency switching bandwidth shall be up to 88 Mhz with a frequency stability of < 5 ppm and a tunability of 25 kHz steps. RF output power shall be 25 mW rms and 50 mW peak.

The transmitter shall feature an LED indicating the operating status when the device is switched on. The LED shall flash at audio peaks and shall be defeatable when the device is in lock mode.

The transmitter's microphone/line input shall utilize a lockable 3-pin audio socket. The AF frequency response shall range from 30 – 20,000 Hz (mic and line). The lower frequency limit (-3 dB) shall be adjustable between 30 Hz, 60 Hz, 80 Hz, 100 Hz or 120 Hz. The Audio amplification shall be adjustable in steps of 3 dB from 0 dB to +42 dB (mic) and in steps of 3 dB from -6 dB to +42 dB (instruments and line). The instrument cable emulation shall have an adjustable cable length with 3 steps.

The transmitter shall be compatible with microphones for every application: Sennheiser lavalier microphones MKE 1, MKE 2, MKE Essential and MKE 40, Sennheiser headset microphones HSP 2, HSP 4, HSP Essential and SL Headmic 1-4.

The transmitter shall be powered by the Sennheiser lithium-ion rechargeable battery pack BA 61 with a typical operating time of 6.5 hours. The rechargeable battery pack shall be exchangeable. The housing of the transmitter shall be made of magnesium. The antenna shall utilize a coaxial socket and be detachable by the user.

Dimensions shall be approximately 76 x 62 x 20 mm (2.99" x 2.44" x 0.79"). Weight (with battery pack and belt clip) shall be approximately 147 grams (5.19 oz / 0.32 lbs). Operating temperature shall range from -10 °C to +50 °C (+14 °F to +122 °F).

The bodypack transmitter shall be the Sennheiser SK 6000.