



Digital 6000

SKM 6000 | Handheld transmitter



FEATURES

- Digital high-performance handheld transmitter with wide selection of capsules for every voice and every stage situation
- Intermodulation-free even at close proximity to multiple transmitters
- Large 88 MHz switching bandwidth ensures flexibility and reliable operation even in demanding RF environments

The SKM 6000 digital handheld transmitter is equipped for every voice, every song and every demand on the world's live stages. Maximum transmission reliability is delivered by the renowned Long Range mode superior audio quality by the proprietary Sennheiser Audio Codec (SeDAC) from the wireless masterpiece, Digital 9000. Link Density Mode (LD mode) with efficiency-optimized Audio Codec (SePAC) ensures up to 5 channels per MHz bandwidth. Sophisticated electronics prevent disturbing intermodulation, even with numerous transmitters in the most confined spaces. This allows operation in an equidistant frequency grid and efficiently utilizes the available frequency spectrum.

Via Sennheiser's standard capsule interface, the SKM 6000 transmitter is compatible with microphone heads from evolution wireless G3, 2000, Digital 9000, and the Neumann KK 204 / 205 series.

A special magnesium housing offers the perfect balance between low weight and roadworthy construction.

The BA 60 lithium-ion battery pack ensures up to 5.5 hours of operation. Alternatively, operation is also possible with batteries from the B 60 battery set.

The transmitter is fully compatible with the EK 6042 and EM 9046 in Long Range mode.

DELIVERY INCLUDES

- SKM 6000 handheld transmitter
- MZQ 9000 microphone clamp
- quick guide
- safety guide

COMPATIBLE WITH

- EM 9046 in Long Range mode
- EK 6042

SYSTEM COMPONENTS

- EM 6000 / EM 6000 DANTE
- SK 6000
- SK 6212
- L 6000
- L 60

PRODUCT VARIANTS

SKM 6000 A1-A4	Art. no. 506302
SKM 6000 A5-A8	Art. no. 506303
SKM 6000 B1-B4	Art. no. 506304
SKM 6000 A5-A8 US	Art. no. 506367
SKM 6000 A1-A4 JP	Art. no. 506337
SKM 6000 A5-A8 JP	Art. no. 506338
SKM 6000 B1-B4 JP	Art. no. 506339
SKM 6000 A1-14 KR	Art. no. 506352
SKM 6000 A5-A8 KR	Art. no. 506353
SKM 6000 B1-B4 KR	Art. no. 506354



Digital 6000

SKM 6000 | Handheld transmitter

SPECIFICATIONS

Frequency range	470 to 718 MHz, subdivided into 3 ranges: SKM 6000 A1 – A4: 470 – 558 MHz SKM 6000 A5 – A8: 550 – 638 MHz SKM 6000 B1 – B4: 630 – 718 MHz
Modulation scheme	Digital modulation - Long Range Mode (LR) - Link Density Mode (LD)
Audio codec	LR mode: SeDAC (Sennheiser Digital Audio Codec) LD mode: SePAC (Sennheiser Performance Audio Codec)
Switching bandwidth	88 MHz
Frequency stability	< 5 ppm
Tuneability	25 kHz steps
Encryption	AES 256 and Digital 9000 encryption
Lower cut-off-frequency (-3 dB)	Adjustable: 60 Hz, 80 Hz, 100 Hz, 120 Hz
RF output power	LR: 25 mW rms LD: 1 mW rms
Audio frequency response	LR: 30 Hz to 20 kHz (3 dB) LD: 30 Hz to 14 kHz (3 dB)
Audio Gain	Can be set in 3 dB steps from 0 dB to + 62 dB (for each capsule)
Operating time	5.5 h (with BA 60 battery pack)
Dimensions (H × W × D)	270 × 40 mm
Weight	Approx. 350 g (with BA 60 battery pack and ME 9005 microphone module)

ACCESSORIES

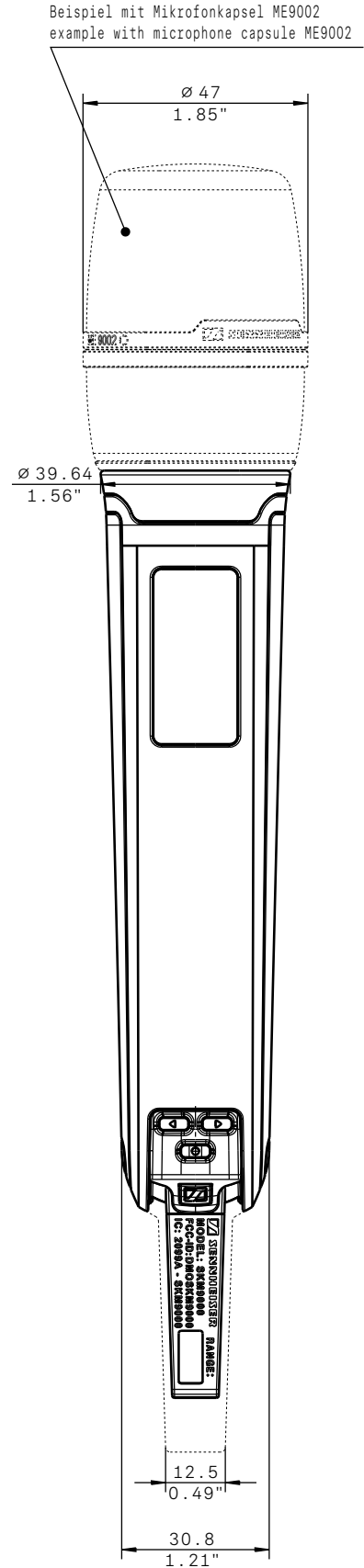
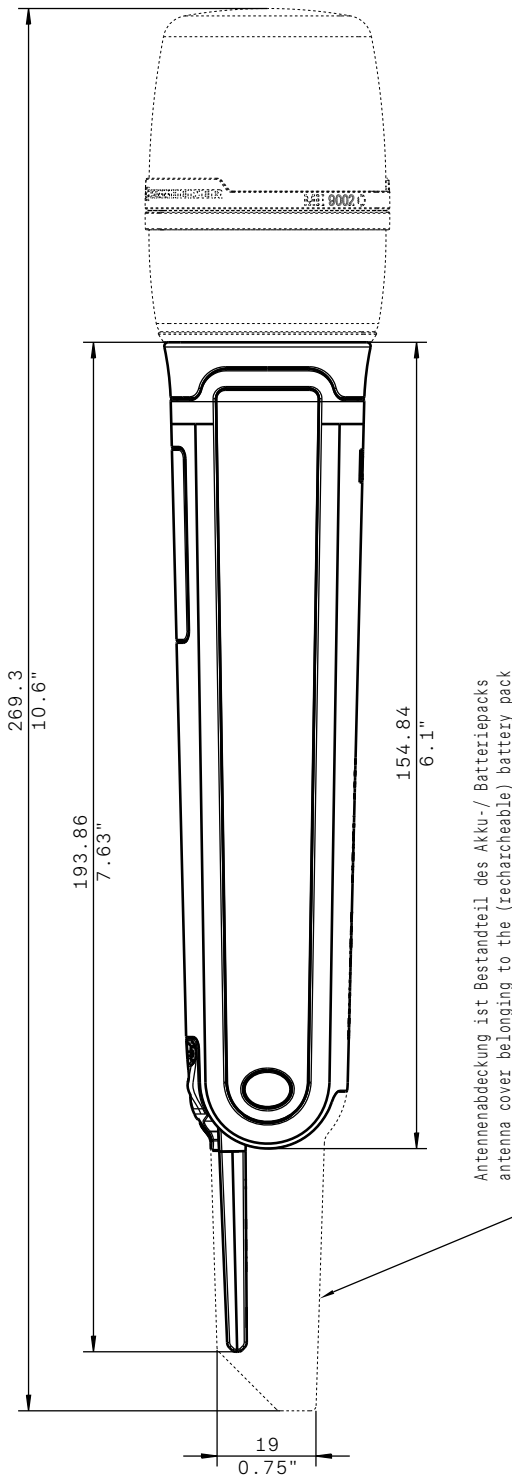
BA 60	Rechargeable battery	Art. no. 504702
B 60	Battery compartment	Art. no. 504700
Microphone heads:		
MMD 835-1 BK	dynamic, cardioid, black	Art. no. 502575
MMD 845-1 BK	dynamic, super-cardioid, black	Art. no. 502576
MMD 865-1 BK	condenser, super-cardioid, black	Art. no. 502581
MMD 935-1 BK	dynamic, cardioid, black	Art. no. 502577
MMD 945-1 BK	dynamic, super-cardioid, black	Art. no. 502579
MMK 965-1 BK	true condenser, switchable, black	Art. no. 502582
MMK 965-1 NI	true condenser, switchable, nickel	Art. no. 502584
MD 9235 BK	dynamic, super-cardioid, black	Art. no. 502585
MD 9235 NI	dynamic, super-cardioid, nickel	Art. no. 502586
MD 9235 NI/ BK	dynamic, super- cardioid, nickel-black	Art. no. 502591
ME 9002	electret, omni- directional, black	Art. no. 502587
ME 9004	electret, cardioid, black	Art. no. 502588
ME 9005	electret, super-cardioid, black	Art. no. 502589
Neumann KK 204	condenser, cardioid, nickel	Art. no. 008651
Neumann KK 204 BK	condenser, cardioid, black	Art. no. 008652
Neumann KK 205	condenser, super-cardioid, nickel	Art. no. 008653
Neumann KK 205 BK	condenser, super-cardioid, black	Art. no. 008654



Digital 6000

SKM 6000 | Handheld transmitter

DIMENSIONS





Digital 6000

SKM 6000 | Handheld transmitter

ARCHITECT'S SPECIFICATION

The handheld transmitter shall be for use with a companion receiver as part of a true digital wireless RF transmission system. The handheld transmitter shall operate in the UHF frequency range between 470.200 and 717.900 MHz. Different frequency variants shall be available depending on country-specific regulations.

The transmitter shall feature a backlit LC display showing battery status, the frequency or the channel name, the status of the lock mode, the AES 256 encryption status and warnings. Remaining operating time shall be indicated by both a battery icon and numeric indication in hours and minutes. All transmitter parameters shall be adjustable with function buttons on the device itself or by infrared synchronization via the associated receiver. The function buttons shall be lockable against accidental misuse.

The frequency switching bandwidth shall be up to 88 Mhz with a frequency stability of < 5 ppm and a tunability of 25 kHz steps. RF output power shall be 25 mW rms and 50 mW peak.

The transmitter shall feature an LED indicating the operating status when the device is switched on. The LED shall flash at audio peaks and shall be defeatable when the device is in lock mode.

The AF frequency response shall range from 30 – 20,000 Hz. The lower frequency limit (-3 dB) shall be adjustable between 60 Hz, 80 Hz, 100 Hz or 120 Hz. The Audio amplification shall be adjustable in steps of 3 dB from 0 dB to +62 dB (depending on the capsule).

The transmitter shall utilize Sennheiser's standard capsule interface serving Sennheiser microphone heads of the evolution wireless and 2000 series and Digital 9000 as well as the Neumann KK 204 / 205 microphone heads.

The transmitter shall be powered by the Sennheiser lithium-ion rechargeable battery pack BA 60 with a typical operating time of 5.5 hours. The rechargeable battery pack shall be exchangeable. The housing of the transmitter shall be made of magnesium.

Dimensions shall be approximately 40 mm (1.57") in diameter and 270 mm (10.63") in length. Weight (with microphone head and battery pack) shall be approximately 350 grams (13.35 oz / 0.77 lbs). Operating temperature shall range from -10 °C to +50 °C (+14 °F to +122 °F).

The handheld transmitter shall be the Sennheiser SKM 6000.