

# SONY

HD MULTI-PURPOSE CAMERA

# HDC-P1



The HDC-P1 is a highly compact Point-of-View (POV)-style HD multi-purpose camera based on the sophisticated core technologies of high-end companion camera systems with the HDC-2000 Series, and equipped with the latest full-HD three 2/3-inch CCDs.

The HDC-P1 offers shooting flexibility from almost anywhere, and delivers high-quality full-HD pictures as a standalone camera or system camera that integrates seamlessly with the HDC-2000 Series. Precise adjustment of camera parameters can also be achieved with the remote control panel (RCP) and master setup unit (MSU) developed for Sony's HDC Series system cameras.

The compact and lightweight HDC-P1 is an ideal POV camera for a wide range of uses including unmanned studio robotics cameras, wireless applications with a steadycam, at stadiums, gymnasiums, and other sporting events, and for stereoscopic 3D shooting applications.



**HDC-2500**  
Companion System Camera

### Compact design with high picture quality

Packed in an extremely slim and compact body with an approximate width of just 86 mm (3 1/2 inches) and weighing around 1.7 kg (3 lb 12 oz, excluding a lens), the HDC-P1 is equipped with three superb 2/3-inch progressive CCDs and Sony-developed digital processing LSI to bring out high picture quality.

### Dual optical servo filters

Neutral density (ND) and color correction (CC) optical servo filter units are incorporated, which can be remotely controlled (according to lighting condition changes) from the remote control panel (RCP) or master setup unit (MSU).

### Enhanced S/N ratio

The latest full-HD three 2/3-inch CCDs improve the signal-to-noise ratio to -58 dB (N/S max. -64 dB)

### Multi-format operation

Various capturing formats are supported including 1080/59.94i, 1080/50i, 1080/59.94p<sup>\*1</sup>, 1080/50p<sup>\*1</sup>, 720/59.94p, 720/50p, 1080/23.98PsF<sup>\*2</sup>, 24PsF<sup>\*2</sup>, 25PsF<sup>\*2</sup>, and 29.97PsF<sup>\*2</sup>.

<sup>\*1</sup> Optional HZC-PRVP1 software is required.

<sup>\*2</sup> Optional HZC-PSFP1 software is required.

### 3D shooting

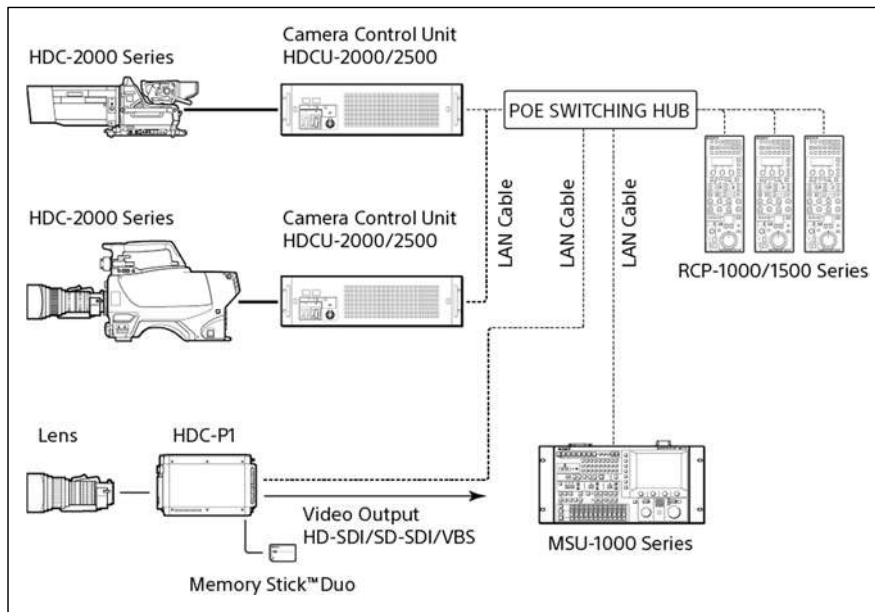
The HDC-P1 can be used as a robotic camera in a studio automation system or as a compact 3D camera installed in a 3D camera system. The image inverter function enables you to simply invert the top/bottom and left/right of the image.

### Versatile camera interfaces

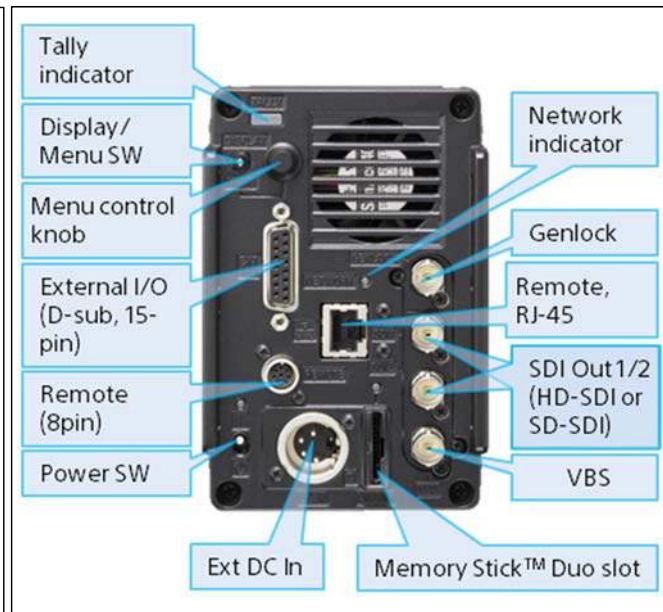
A wide range of inputs and outputs are provided via the connector panel, including two HD/SD-SDI outputs, a return signal output, prompter signal output, and test (VBS analog) signal output, etc. Moreover, there are Ethernet interfaces for remote control, trunk line, and assignable lines on the D-sub 15-pin connector and remote 8-pin connector.



## System Configuration (LAN connection)



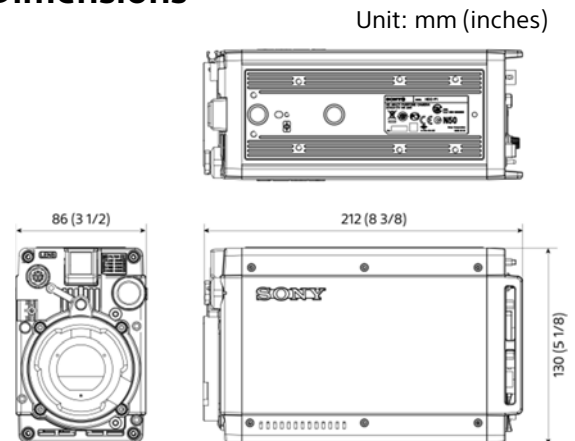
## Rear



## Specifications

General	
Power requirements	DC 10.5 V to 17 V, 24 W (excluding peripherals)
Operating temperature	-20°C to +45°C (-4°F to +113°F)
Storage temperature	-20°C to +60°C (-4°F to +140°F)
Mass	1.7 kg (3 lb 12 oz)
Camera section	
Pickup device	3-chip 2/3-inch type CCD
Effective picture elements (H x V)	1920 x 1080
Signal format	1080/50i, 1080/59.94i, 720/50p, 720/59.94p (1080/23.98p, 1080/24p, 1080/25p, 1080/29.97p, 50/59.94p: option)
Spectrum system	F1.4 prism
Lens mount	Sony bayonet mount
Built-in filters	CC: A: CROSS, B: 3200K, C: 4300K, D: 6300K ND: 1: CLEAR, 2: 1/4ND, 3: 1/16ND, 4: 1/64ND
Sensitivity (at 2000 lx, 3200K, 89.9% reflectance)	F10 (at 1080/59.94i, 720/49.94p), F11 (at 1080/50i, 720/50p)
Signal-to-noise ratio	Typical -58 dB (NS Max. -64 dB)
Horizontal resolution	1,000 TV lines (at center)
Shutter speed	1/100, 1/125, 1/250, 1/500, 1/1000, 1/2000 s (1080/59.94i) 1/60, 1/125, 1/250, 1/500, 1/1000, 1/2000 s (1080/50i)
Modulation depth	Y: 45% at 27.5 MHz (800 TV lines with typical lens), Pb/Pr: 80% of 12 MHz
Inputs/Outputs	
Genlock input	BNC (x1) HD: SMPTE 274M, tri-level sync, 0.6 Vp-p, 75 Ω SD: Black burst (NTSC: 0.286 Vp-p, 75 Ω/PAL: 0.3 Vp-p, 75 Ω)
SDI 1 output	BNC (x1) Can be switched between HD-SDI and SD-SDI
SDI 2 output	BNC (x1) Can be switched between HD-SDI and SD-SDI
VBS output	BNC (x1)
EXT I/O	D-sub 15-pin (female) (x1)
Remote	8-pin (x1)
Lens	12-pin (x1)
LAN	RJ-45 (x1), 10BASE-T, 100BASE-TX
Supplied accessories	
Tally number plate (1set), Operation manual (1)	

## Dimensions



## Optional Accessories

- VCT-14 (Tripod Adaptor)
- RM-B170 (Remote Control Unit)
- MSU-1000/MSU-1500 (Master Setup Unit)
- RCP-1000/RCP-1500/RCP-1530 (Remote Control Unit)
- HZC-PRVP1 (Operating software for 1080/59.94p and 1080/50p)
- HZC-PSFP1 (Operating software for 1080/23.98PsF, 24PsF, 25PsF, and 29.97PsF)

©2015 Sony Corporation. All rights reserved. Reproduction in whole or in part without written permission is prohibited. Features, design, and specifications are subject to change without notice.

The values for mass and dimension are approximate. "SONY" and "Memory Stick" are trademarks of Sony Corporation. All other trademarks are the property of their respective owners.