

SONY®

REMOTE CONTROL PANEL

RCP-1500

RCP-1501

RCP-1530



OPERATION MANUAL
1st Edition (Revised 6)

English

Table of Contents

Precautions	3
Overview	4
Features	4
Examples of System Configurations	5
Supported devices	7
Operating Cameras	7
Names and Functions of Parts	8
Operation Panel	8
Connector Panel	26
Installation	27
Connection Precautions	27
Setting the Status Screen Display	27
Setting the Clock	29
Setting the LAN Connection	30
Setting LEGACY Mode	30
Setting BRIDGE Mode	31
Setting Multi-Camera System (MCS) Mode	32
Changing the Output Destination for Previews	33
Settings	34
Setting the User Interface	34
To set the sounds	34
To set the brightness of the LEDs	35
To adjust the LCD	35
To illuminate character display in dark places	36
To change the sensitivity of the adjustment knobs	37
To set the screen saver	37
To perform RPN correction	38
Setting Security Restrictions	39
To set the security level	39
To protect operations with a security code	40
Operation Settings	42
To set PIX/WF operation	42
Customization	43
To assign functions to assignable buttons	43
To assign functions to assignable adjustment knobs	44
To set the custom paint menu	45
To assign menus to custom buttons	46
Saving and Initializing Settings	48
To save changed setting values to a “Memory Stick Duo”	48

Menus	50
Menu Operations	50
Menu Tree	52
Status Screen	54
Paint Menu	54
File Menu	64
Maintenance Menu	65
Config Menu	72
To set the return input settings	78
To control the CCU menu	78
To control the CAMERA/BPU menu	78
To change RCP assignments	79
Multi Menu	80
Function Menu	80
Scene Menu	81
About “Memory Stick Duo”	82
Inserting a “Memory Stick Duo”	82
Protecting Saved Data	82
Precautions	82
Specifications	83

Precautions

Note on faulty pixels on the LCD panel

The LCD panel fitted to this unit is manufactured with high precision technology, giving a functioning pixel ratio of at least 99.99%. Thus a very small proportion of pixels may be “stuck,” either always off (black), always on (red, green, or blue), or flashing. In addition, over a long period of use, because of the physical characteristics of the liquid crystal display, such “stuck” pixels may appear spontaneously. These problems are not a malfunction.

Cleaning the touch panel

When cleaning the touch panel display, use a soft cloth and some ethanol to gently wipe only the area that is dirty. Using too much ethanol or broad wiping may result in smearing. You can also use a soft, dry cloth such as that used for cleaning glasses to gently wipe off the dirt.

Notes

- Do not clean the touch panel with water or any chemical substances other than ethanol.
- When wiping the touch panel, take proper care to prevent any liquid from entering between the touch panel and the body of the unit.
- Using excessive force when wiping may result in scratches on the touch panel.

Note on interference

Do not place mobile phones or similar devices on the control panel. Doing so may result in malfunction of the unit.

Overview

Features

The MSU-1000 series and RCP-1000 series are remote control panels for configuring and controlling Sony's studio and broadcast cameras.

This section describes the features that are common between the MSU-1000 series and RCP-1000 series.

Remote control panels

The RCP-1000 series of remote control panels is designed mainly for operation. Use a remote control panel with a camera on a one-to-one basis.

- The RCP-1530 incorporates an LCD display with a touch panel, and a variety of settings are available to make this remote control panel compare favorably with the MSU. It is multifunctional while at the same time having a slim body that is just 80 mm wide, which allows you to mount up to five units in a 19-inch EIA rack. The iris and master black adjustment block employs joystick type control.
- The RCP-1500 incorporates an LCD display with direct operation switches and a touch panel, which makes it a remote control panel that offers both ease of operation and multifunctionality that compares favorably with the MSU. The iris and master black adjustment block employs joystick type control. Up to four units can be mounted in a 19-inch EIA rack.
- The RCP-1501 incorporates an LCD display with direct operation switches and a touch panel, which makes it a remote control panel that offers both ease of operation and multifunctionality that compares favorably with the MSU. The iris and master black adjustment block employs dial (knob) type control. Up to four units can be mounted in a 19-inch EIA rack.

Operability suitable for basic camera operations

This remote control panel is provided with the control functions required to perform the basic operations of cameras to enable the simple and accurate operation of various functions. The operation buttons, adjustment knobs, and other controls are arranged on the panel according to function and frequency of use. Guard frames are provided around buttons that are vital to the operation and setup of cameras to prevent the buttons from being unintentionally operated.

Illuminated buttons with high visibility flash and light to notify you of the operation status to enable operation even in dark locations. Likewise, an illuminated panel surface is employed to allow you to confirm function names even when the surroundings are dark.

Building of a variety of control systems

It is possible to connect by LAN cable in addition to connecting using CCA-5 cable. Therefore, when setting up a multi-camera control system, not only can a system be built using the CNU-700 as previously, but a system can also be built using a LAN. In a system that uses CNU-700s, two camera command network units (CNUs) can be used to control a camera system of up to 24 cameras. In a system that uses a LAN, a camera system of up to 96 cameras can be controlled.

Support for operating multiple cameras

Various operations are made possible by using multiple camera systems that support multiple cameras.

The following functions are provided to control the connected cameras.

- **Panel active function**
This function always enables one control panel for one camera to prevent unintentional operation. Even with a control panel that does not have the panel active permission, a camera can be operated using the parallel function, with the exception of iris and master black operations.
- **RCP assignment function**
This function changes the combination of an RCP and camera system.¹⁾
- **Master/subordinate function**
This function makes changes in conjunction with the color temperature of the specified camera system.^{1) 2)}

Customizable functions

Various settings can be configured according to the operation configuration and the frequency with which functions are used.

- **Menus**
You can create a custom paint menu, and change the contents and order of a menu.
- **Function restriction**
You can restrict access to items of a certain level or above to restrict the operators that can configure settings.
- **Switches**
You can assign any function to a spare switch.
- **Adjustment knobs³⁾**
You can assign any function to a spare adjustment knob.
- **Operation and call sounds**
You can mute and adjust the volume of the operation and call sounds if necessary.
- **Exporting and importing of settings**
You can save the settings to a "Memory Stick Duo", and then export them to another remote control panel.

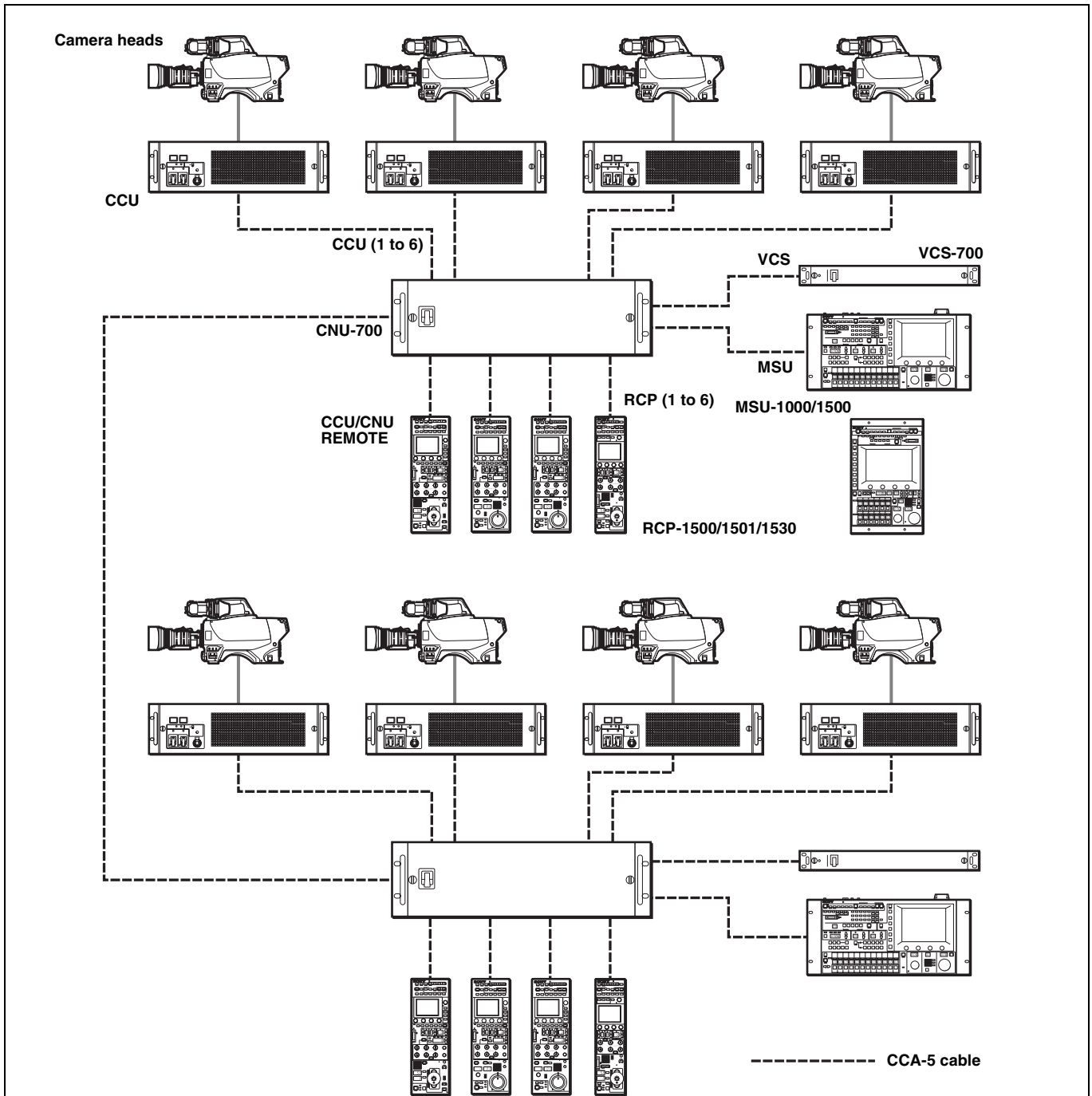
1) If multiple CNUs exist in the system, this only works for cameras connected to the same CNU.

2) This does not work when connected to a network.

3) Customization of the adjustment knobs is only possible with the RCP-1500/1501.

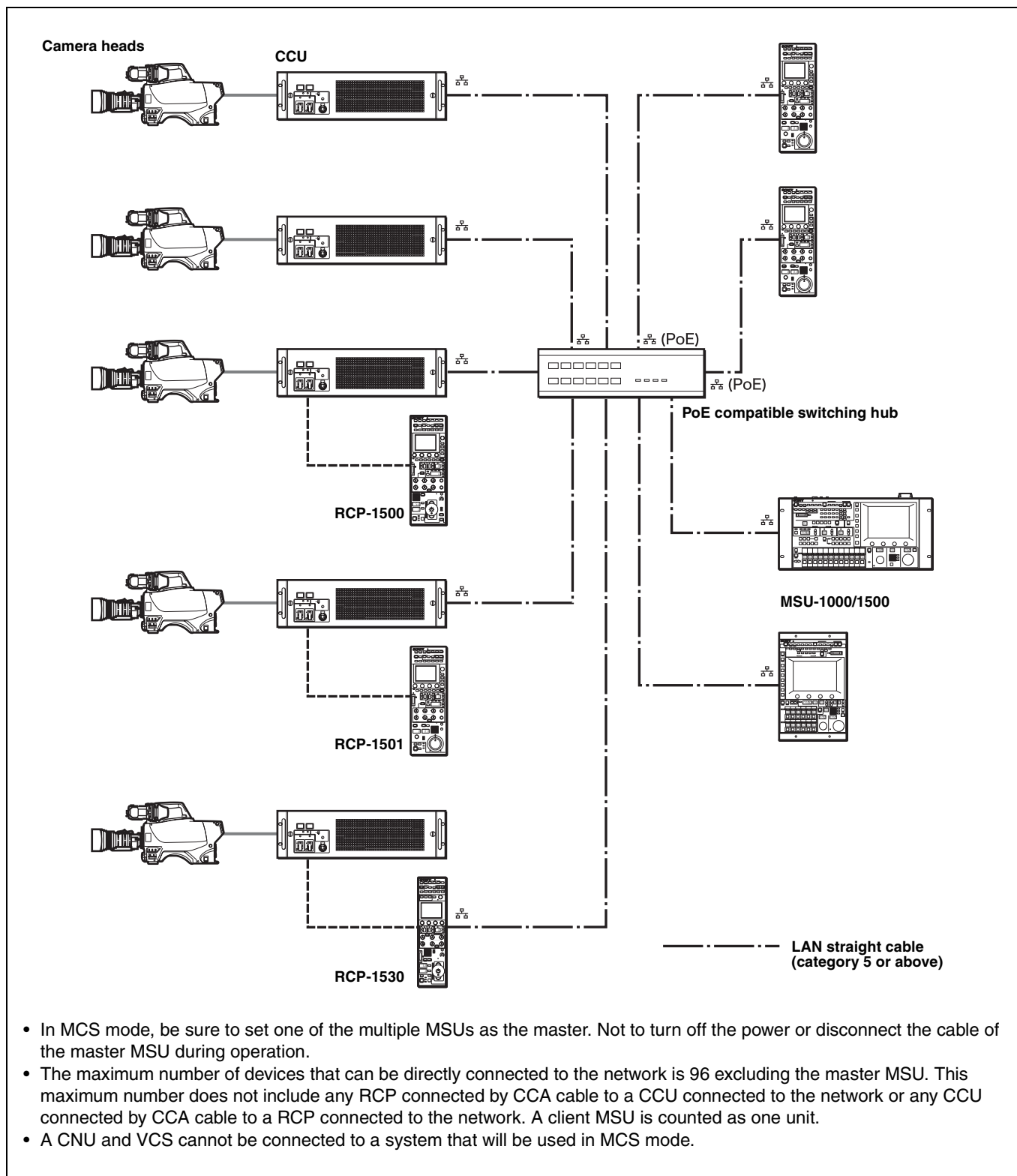
Examples of System Configurations

Connection example for LEGACY mode



- The maximum cable length for from a CCU (camera control unit) to an RCP is 200 m.
- Up to six systems can be connected to a CNU-700 as standard. In such a case, connect one MSU and one VCS. Up to 12 systems can be connected if you install BKP-7930 in the CNU-700. In such a case, connect two MSUs and two VCSs.
- Up to 24 systems can be connected if you connect a pair of CNU-700s. In such a case, you can connect four MSUs and four VCSs, but ALL, RCP assignment, and master/subordinate cannot be executed for cameras connected to a different CNU.

Connection example for MCS mode



Regarding the power supply of a switching hub

The power consumption of the PoE of this control panel is 7 W.
Use a hub capable of supplying enough power for all connected RCPs.

Supported devices

This unit supports connection to the following devices.

- BVP-E30 series
- CCU-590/790 series
- HDC1000(R)/1500(R)/3300(R) series
- HDCU1000/1500/3300(R) series
- HDC2000/2500 series
- HDCU2000/2500 series
- HSC-300/HSCU-300 series
- HXC-100/HXCU-100 series
- HXC-D70/HXCU-D70 series
- HDC-P1
- HDFA-200
- F23/F35
- SRW-9000/SRW-9000PL
- PDW-700/740/F800
- HSC300RF/300R/100RF/100R
- HSCU300RF/300R
- CA4000
- BPU8000/4000

For details about the devices other than the above, refer to the connecting information for each device.

Notes

- Proper functioning may not be possible depending on the firmware version. Be sure to update to the latest version before use.
- The functions that are available on the control panel may be limited depending on the connected camera. Some controls may not function with certain cameras, but this is not a malfunction.

Operating Cameras

Camera control permissions (panel active, IRIS/MB active, and PARA)

By combining an MSU and RCP, you can operate one camera device from multiple control panels, and multiple cameras from one MSU. This is called a “multi-camera system.” A multi-camera system can be implemented by introducing a CNU or by establishing a LAN connection in MCS mode.

To prevent unintentional operation in a multi-camera system, permission is granted to operate the cameras for only either the connected MSU or RCP. There are three types of permission.

- Panel active
 - Even if multiple control panels are connected to one camera, only one control panel has the control permission. This panel is referred to as “active.”
 - An inactive control panel can only be used to display the status.
- PARA (parallel control)
 - By enabling the PARA function on an inactive control panel, you can control cameras. The PARA function is enabled from an inactive control panel, but can be disabled from any control panel.
- IRIS/MB active
 - To prevent unintentional operation of IRIS and master black, you can choose the control panels on which to activate IRIS/MB. The PARA function does not operate.
 - Operating an inactive control panel on which PARA is disabled will not change the state of the camera.

White balance link (master/subordinate mode)

The color temperature of light shining on the subject varies moment by moment when you shoot outdoors. When correcting for this, you can link the cameras within the system and then control them. When you do this, set the camera that is to be controlled directly to “Master,” and the cameras that are to be linked to “Subordinate.”

When you change the white balance of the control panel to which the master camera is connected, the subordinate cameras are corrected by the same correction amount. However, adjusting a subordinate camera does not affect any of the other cameras.

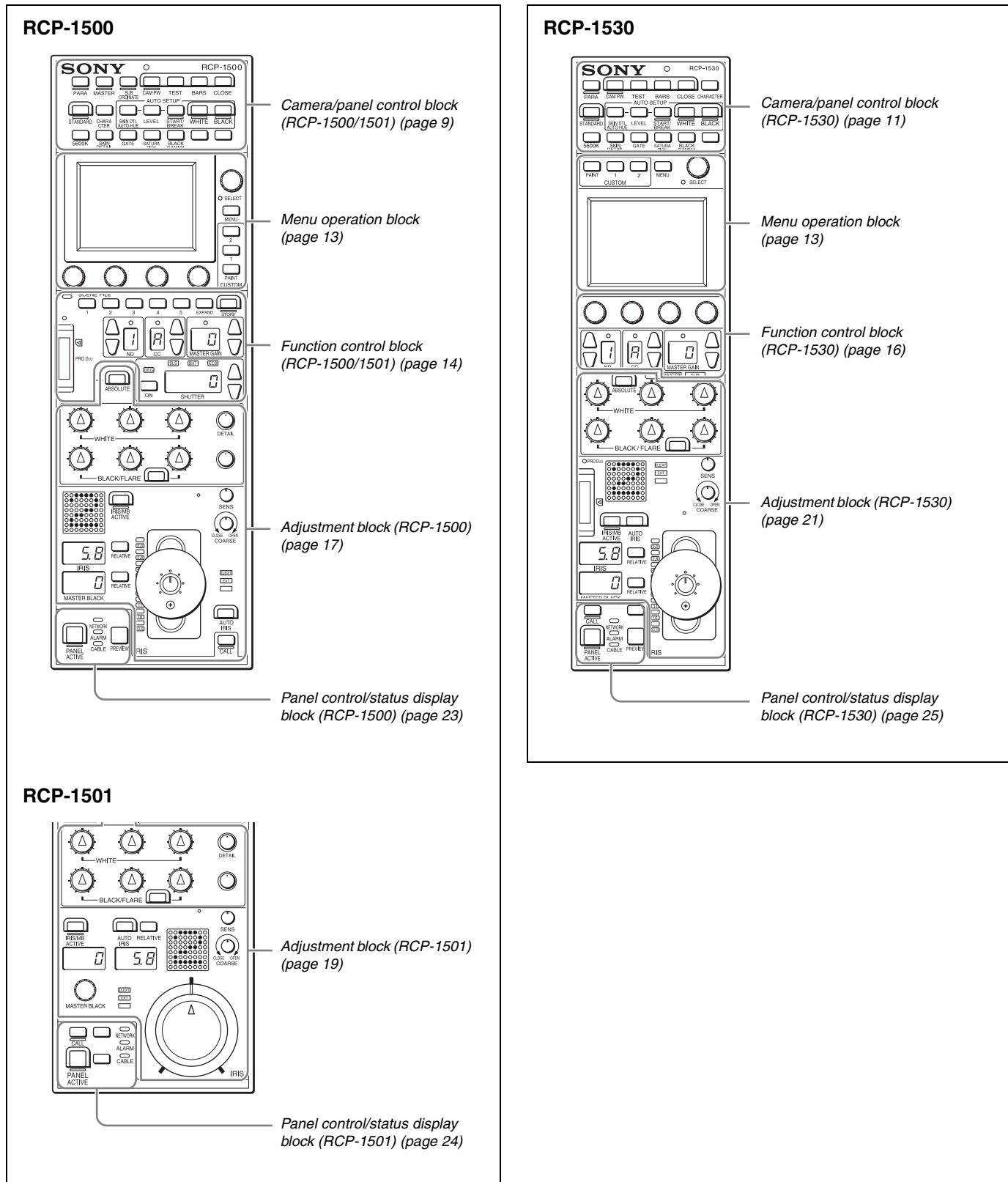
The white balance link function is only enabled when there is a connection to a CNU (LEGACY mode).

Note

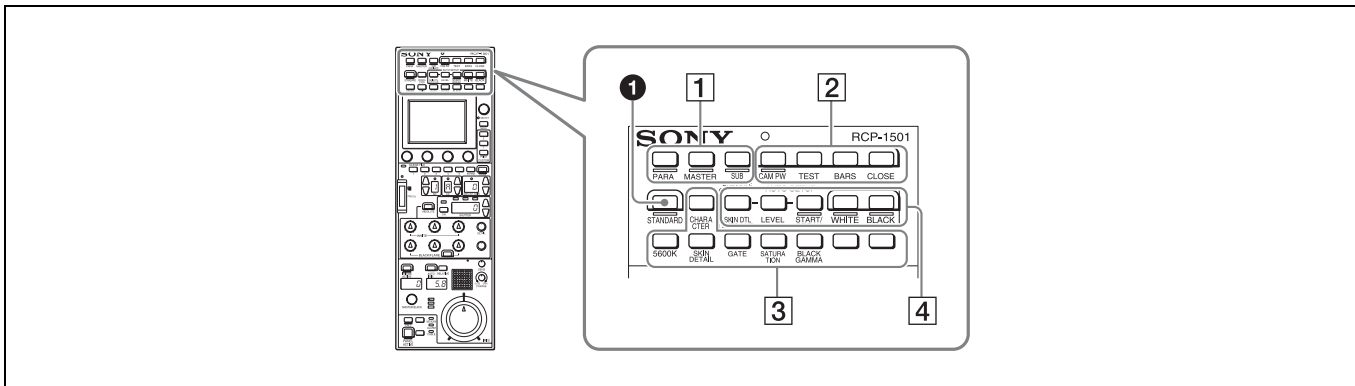
The functions that are available on the control panel may be limited depending on the connected camera. Some controls may not function with certain cameras, but this is not a malfunction.

Names and Functions of Parts

Operation Panel



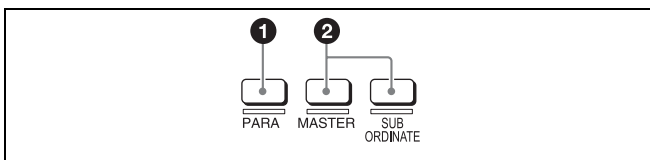
Camera/panel control block (RCP-1500/1501)



1 STANDARD button

This button is for accessing the standard state of the camera. After the standard state is accessed, you can cancel access by pressing the STANDARD button again while it is lit.

1 Control selection block



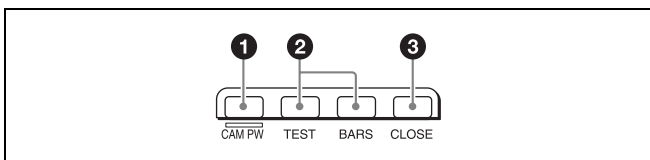
1 PARA (parallel control) button

This is the PARA function button. It allows you to simultaneously control the control panels that are active. However, IRIS and master black are only enabled on control panels on which IRIS/MB is active, and cannot be controlled simultaneously.

2 MASTER and SUBORDINATE buttons

These are the master/subordinate function buttons. A subordinate device is linked to the white balance adjustment of the master device. If both are set to ON, the setting of the master device takes priority. These were formerly the master/slave function buttons.

2 Power/output signal selection block



1 CAM PW (camera power) button

This button is for supplying power from the CCU to the camera heads.

Lighting state	Meaning
On	The power is being supplied.
Off	The power is disconnected. It is not supplied even if the button is pressed.
Slow flashing	The power is disconnected. It is supplied when the button is pressed.
Fast flashing	The camera is starting up.

2 Test signal output selection buttons

These buttons light when pressed and are for operating the test signal generator of the camera to output the corresponding signal.

TEST: Camera test signal

BARS (color bars): Color bar signal

Note

When the BARS button is lit, the function of the BARS button takes priority for CCU output. When you select TEST, press the BARS button to turn its light off.

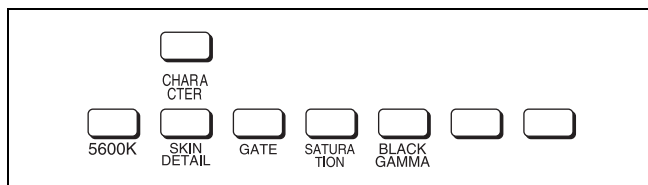
3 CLOSE (iris close) button

This button is for closing the iris of the lens connected to the camera. Pressing it when the auto iris is on changes the iris indication to CLS. Pressing it when the auto iris is off displays the iris value, and the state of that iris value is restored when the close mode is cancelled.

3 Camera/CCU function ON/OFF buttons

These buttons are for various functions. A function is enabled when its button is lit. A function with an OFF indication is off when the button is lit. Functions can be assigned to the spare buttons.

For details on assigning functions to spare buttons, see "To assign functions to assignable buttons" (page 43).

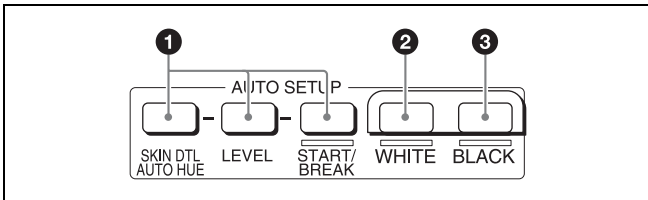


Button	Description
5600K	Electric color temperature correction function
SKIN DETAIL	Skin detail function
GATE	Gate function Displays the active area of the function on the screen (corresponds to Skin DTL and Multi matrix gate). For details on for what kind of image output a gate signal is displayed, refer to the operation manual of the device of the connection destination.
SATURATION	Saturation function

Button	Description
BLACK GAMMA	Black gamma function
CHARACTER	CCU character button Turns ON/OFF character output of the CCU and switches to the next page. When this function is ON, each press of the button switches to the next page (holding the button switches to the last page and stops the function in the OFF state). For details on for what kind of image output characters are displayed, refer to the operation manual of the device of the connection destination.

4 AUTO SETUP block

These buttons are for automatically adjusting the camera.



1 AUTO SETUP buttons and START/BREAK button

Pressing one of the following buttons and then pressing the START/BREAK button runs the corresponding automatic adjustment function.

SKIN DTL AUTO HUE: Automatically sets the skin detail to an effective hue.

LEVEL: Runs the auto level setup.

Pressing the START/BREAK button while this function is running stops auto adjustment. The button flashes to indicate that this function is stopped, and pressing the button again stops the flashing indication.

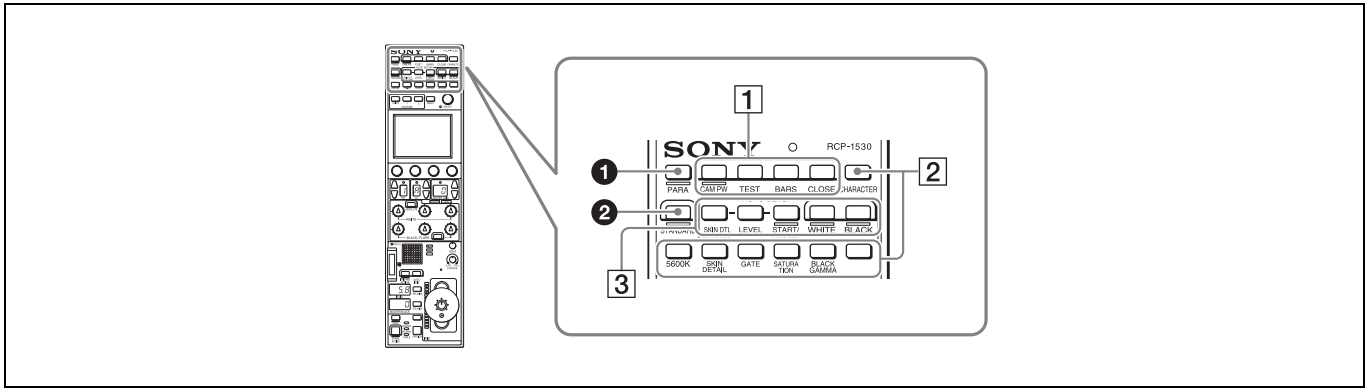
2 WHITE (auto white balance) button

This button is for starting auto white balance adjustment. The button is lit while this function is running and goes out when adjustment is finished. Pressing it again or pressing the START/BREAK button while this function is running stops automatic adjustment. The button flashes to indicate that this function is stopped, and pressing the button again stops the flashing indication.

3 BLACK (auto black balance) button

This button is for starting auto black balance adjustment. The button is lit while this function is running and goes out when adjustment is finished. Pressing it again or pressing the START/BREAK button while this function is running stops automatic adjustment. The button flashes to indicate that this function is stopped, and pressing the button again stops the flashing indication.

Camera/panel control block (RCP-1530)



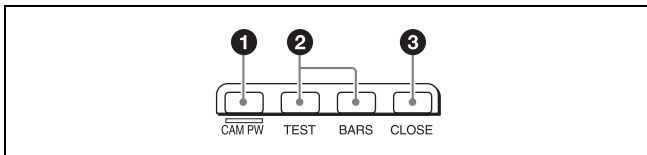
❶ PARA (parallel control) button

This is the PARA function button. It allows you to simultaneously control the control panels that are active. However, IRIS and master black are only enabled on control panels on which IRIS/MB is active, and cannot be controlled simultaneously.

❷ STANDARD button

This button is for accessing the standard state of the camera. After the standard state is accessed, you can cancel access by pressing the STANDARD button again while it is lit.

❶ Power/output signal selection block



❶ CAM PW (camera power) button

This button is for supplying power from the CCU to the camera heads.

Lighting state	Meaning
On	The power is being supplied.
Off	The power is disconnected. It is not supplied even if the button is pressed.
Slow flashing	The power is disconnected. It is supplied when the button is pressed.
Fast flashing	The camera is starting up.

❷ Test signal output selection buttons

These buttons light when pressed and are for operating the test signal generator of the camera to output the corresponding signal.

TEST: Camera test signal

BARS (color bars): Color bar signal

Note

When the BARS button is lit, the function of the BARS button takes priority. When you select TEST, press the BARS button to turn its light off.

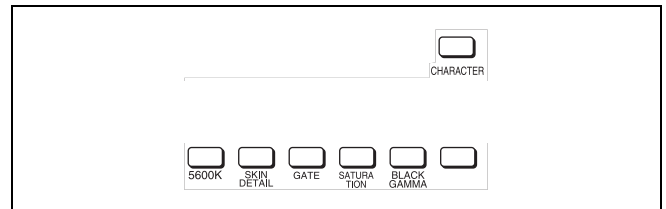
❸ CLOSE (iris close) button

This button is for closing the iris of the lens connected to the camera. Pressing it when the auto iris is on changes the iris indication to CLS. Pressing it when the auto iris is off displays the iris value, and this value is redisplayed when the close mode is cancelled.

❷ Camera/CCU function ON/OFF buttons

These buttons are for various functions. A function is enabled when its button is lit. A function with an OFF indication is off when the button is lit. Functions can be assigned to the spare buttons.

For details on assigning functions to spare buttons, see page 43.

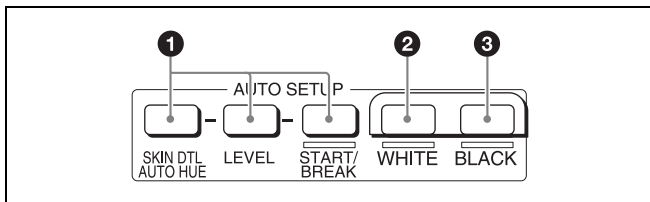


Button	Description
5600K	Electric color temperature correction function
SKIN DETAIL	Skin detail function
GATE	Gate function Displays the active area of the function on the screen (corresponds to Skin DTL and Multi matrix gate). For details on for what kind of image output a gate signal is displayed, refer to the operation manual of the device of the connection destination.
SATURATION	Saturation function

Button	Description
BLACK GAMMA	Black gamma function
CHARACTER	CCU character button Turns ON/OFF character output of the CCU and switches to the next page. When this function is ON, each press of the button switches to the next page (a long press switches to the last page and stops the function in the OFF state). For details on for what kind of image output characters are displayed, refer to the operation manual of the device of the connection destination.

3 AUTO SETUP block

These buttons are for automatically adjusting the camera.



1 AUTO SETUP buttons and START/BREAK button

Pressing one of the following buttons and then pressing the START/BREAK button runs the corresponding automatic adjustment function.

SKIN DTL AUTO HUE: Automatically sets the skin detail to an effective hue.

LEVEL: Runs the auto level setup.

Pressing the START/BREAK button while this function is running stops auto adjustment. The button flashes to indicate that this function is stopped, and pressing the button again stops the flashing indication.

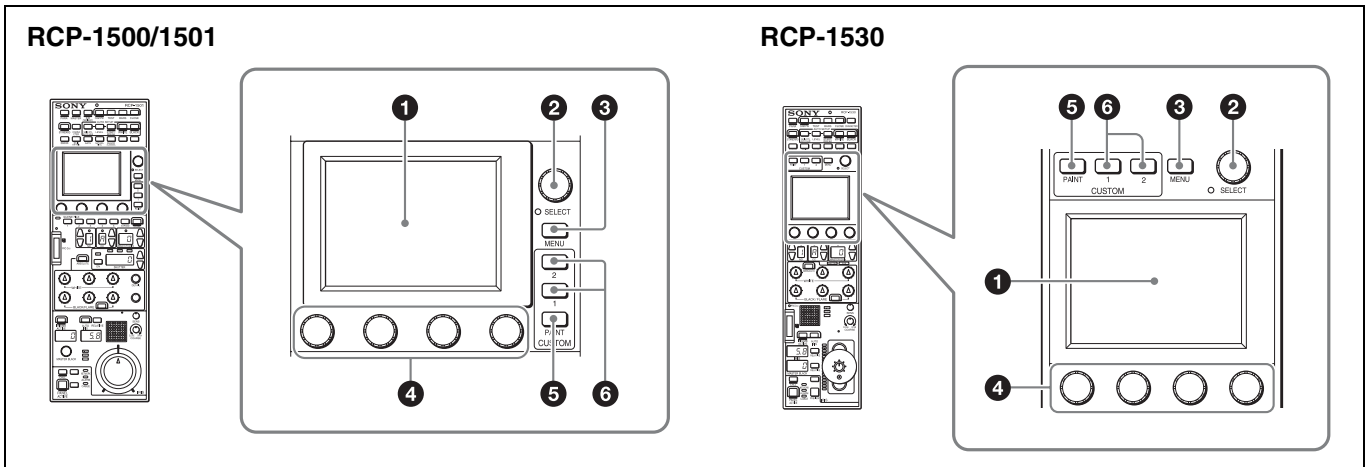
2 WHITE (auto white balance) button

This button is for starting auto white balance. The button is lit while this function is running and goes out when adjustment is finished. Pressing it again or pressing the START/BREAK button while this function is running stops automatic adjustment. The button flashes to indicate that this function is stopped, and pressing the button again stops the flashing indication.

3 BLACK (auto black balance) button

This button is for starting auto black balance. The button is lit while this function is running and goes out when adjustment is finished. Pressing it again or pressing the START/BREAK button while this function is running stops automatic adjustment. The button flashes to indicate that this function is stopped, and pressing the button again stops the flashing indication.

Menu operation block



Menu operation is performed on the LCD.

Operation is performed by touching the buttons and tabs that are displayed on the LCD. Use the adjustment knobs to change numbers and select items.

To change menus, press a menu button or custom button and then use the buttons in the menu to navigate through the menu. When you reach the lowest level in the menu, the LED of the SELECT knob lights. You can display the desired page by turning the SELECT knob to forward through the menus in order or by pressing the SELECT button and then accessing the page from the selection screen.

For details on menu operations, see "Menu Tree" (page 52).

① LCD/touch panel

This is for displaying menus and performing operations.

② SELECT knob

Turning the knob while the LED is lit allows you to select menus. Pressing in the knob while the LED is lit displays the menu selection screen to also allow you to switch to the desired menu.

Pressing in the knob with the Status screen displayed allows you to display the CUSTOM PAINT menu.

③ MENU button

This button is for accessing the menu screen.

④ Adjustment knobs (rotary encoders)

These knobs are for adjusting or selecting items in menus.

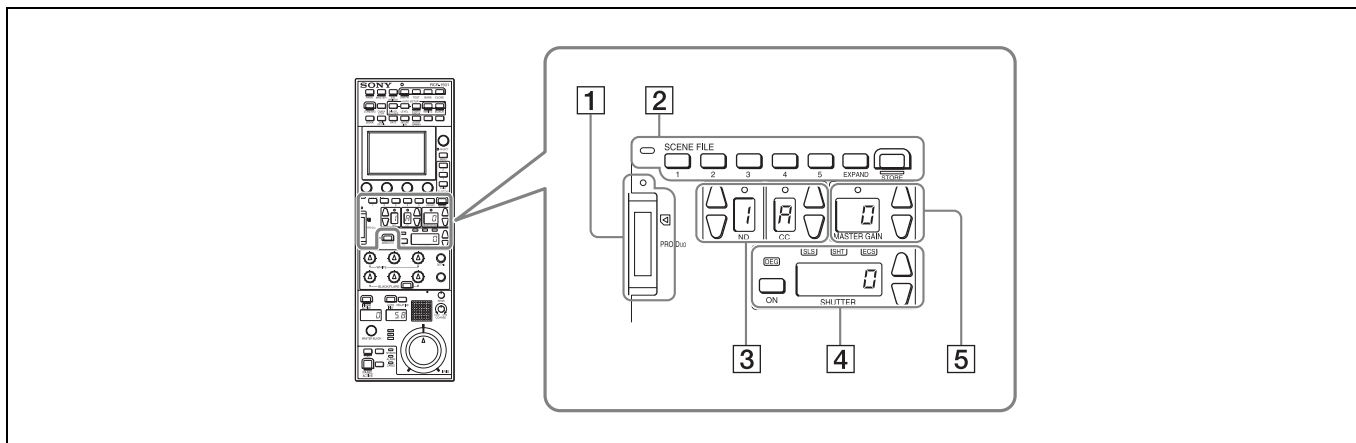
⑤ CUSTOM PAINT button

This button is for accessing the CUSTOM PAINT menu. You can set the contents and order of the CUSTOM PAINT menu.

⑥ CUSTOM buttons

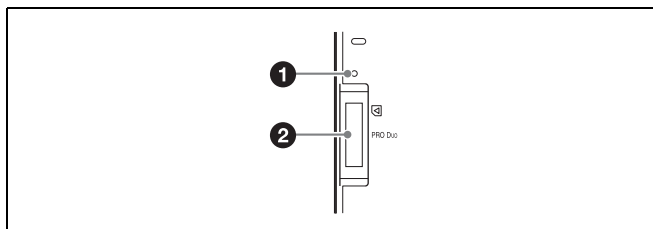
These buttons are for directly accessing preset menus. The CUSTOM1 and CUSTOM2 buttons are available.

Function control block (RCP-1500/1501)



1 “Memory Stick Duo” insertion block

For details on a “Memory Stick Duo,” see “About “Memory Stick Duo”” (page 82).



1 Access indicator

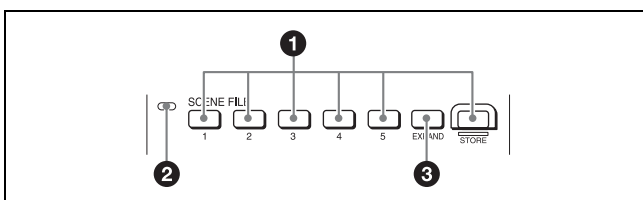
This indicates the status of a “Memory Stick Duo.”

Indication	Meaning or measure
Off	A “Memory Stick Duo” is not inserted.
Lit in green	A “Memory Stick Duo” is inserted.
Lit in red	Data is being read or written. The data cannot be guaranteed if you eject the “Memory Stick Duo” in this state (be careful because all of the data may be lost).

2 “Memory Stick Duo” slot

This slot allows you to use a “Memory Stick Duo.” You can save or read various files.

2 Scene file control block



1 SCENE FILE selection buttons and STORE button

These buttons are for registering and reading scene files.

To register a scene file, press the STORE button to start it flashing and then press the SCENE FILE button with the corresponding number. When file registration is finished, the STORE button goes out. To stop registration part way through, press the STORE button again before pressing the SCENE FILE button.

To read a scene file, press the SCENE FILE button with the corresponding number while the STORE button is not flashing.

The items that can be stored to a scene file differ depending on the connected camera.

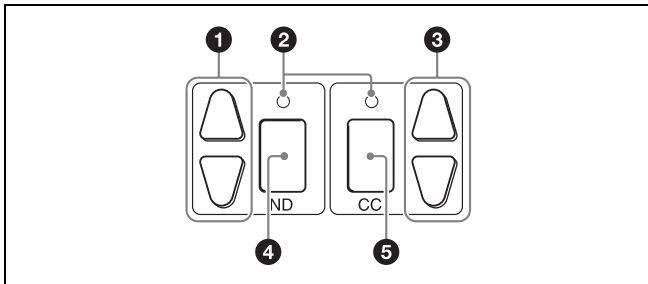
2 Scene file indicator

This lights when a scene file is read. While any of scenes 1 to 5 is being read, the button with the corresponding number is lit. While any of scenes 6 and above are read, only the LED of SCENE FILE is lit.

3 EXPAND button

This button is for accessing the Scene File menu to perform various operations. Press this button to use the 32-scene file function.

3 Filter control block



1 ND filter selection buttons

These buttons are lit when the RCP has the filter servo control permission. When they are not lit, the camera side has the control permission. Pressing either the top or bottom button once switches the control permission to the RCP. If there is no filter servo or the camera does not have a filter, these buttons do not light and the control permission can also not be switched.

The ▲ button changes the ND filters in order in the forward direction. The ▼ button changes them in the opposite direction. Pressing and holding one of the buttons changes the ND filters continuously.

2 Standard value indicators

These light when standard values are set in the Standard Ind menu. The indicators light in green when values are in their standard state, and in amber when values are not in their standard state.

3 CC (color temperature conversion) filter selection buttons

These buttons are lit when the RCP has the filter servo control permission. When they are not lit, the camera side has the control permission. Pressing either the top or bottom button once switches the control permission to the RCP. If there is no filter servo or the camera does not have a filter, these buttons do not light and the control permission can also not be switched.

The ▲ button changes the CC filters in order in the forward direction. The ▼ button changes them in the opposite direction. Pressing and holding one of the buttons changes the ND filters continuously.

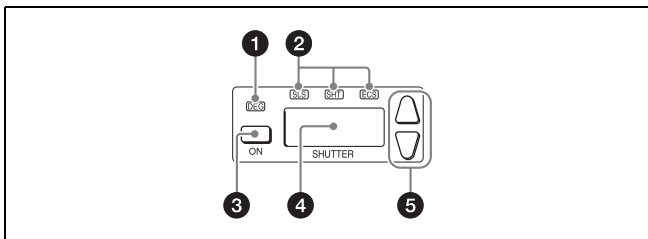
4 ND filter display window

This window displays the ND filter that is currently selected.

5 CC (color temperature conversion) filter display window

This window displays the CC filter that is currently selected.

4 Shutter control block



1 DEG indicator

This indicator is lit when the shutter display is indicating an angle value. Configure the setting with the switches in Shutter of the Paint menu.

2 SLS/SHUTTER/ECS indicators

The indicator corresponding to the selected function is lit. Select a function in the menu.

SLS: Slow shutter mode

SHT: Shutter mode

ECS: ECS (Extended Clear Scan) mode

3 ON button

This button is for turning ON/OFF the camera's SLS, shutter, or ECS function. Pressing the button causes it to light and turns ON the function, and pressing it again causes the button to go out and turns OFF the function.

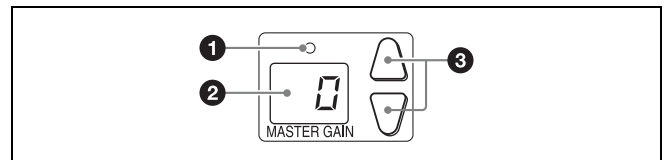
4 Shutter speed display window

This window is for displaying the shutter speed that is currently set. If the DEG indicator is lit while in shutter mode (the SHT indicator is also lit), this window displays an angle value. If the DEG indicator is not lit, the shutter speed is displayed in seconds.

5 Shutter speed selection buttons

These buttons are for setting the shutter speed. Each press of the ▲ (up) button increases the shutter speed, and each press of the ▼ (down) button decreases it.

5 Master gain control block



1 Standard value indicator

This lights when standard values are set in the Standard Ind menu. The indicator lights in green when values are in their standard state, and in amber when values are not in their standard state.

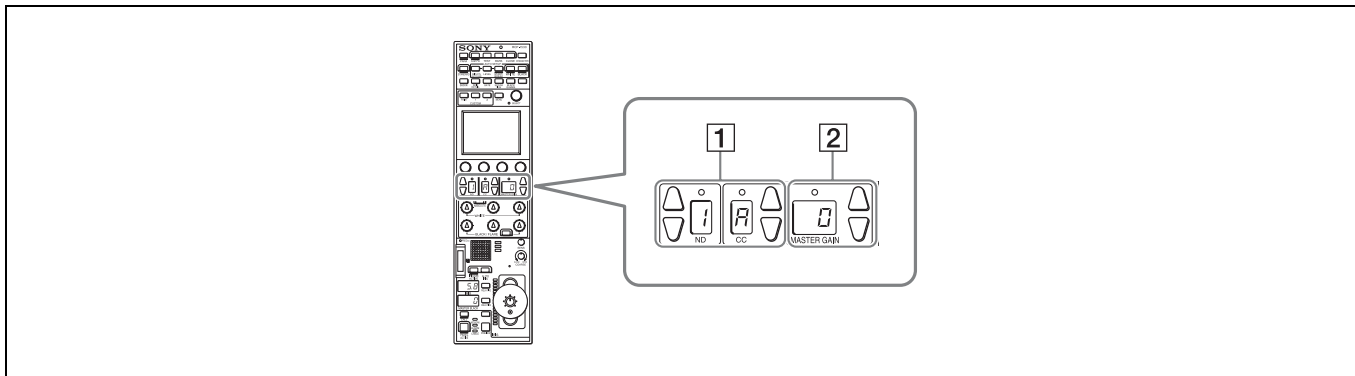
2 Master gain display window

This window displays the master gain that is currently set.

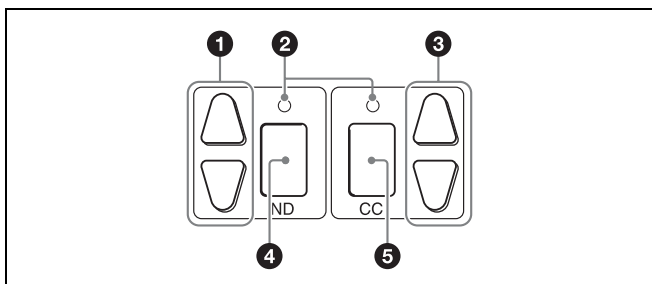
3 Master gain selection buttons

This block is for setting the sensitivity of the camera. Each press of the ▲ (up) button increases the sensitivity, and each press of the ▼ (down) button decreases it. Pressing and holding one of the buttons changes the sensitivity continuously. The setting value (unit: dB) is displayed in the display window.

Function control block (RCP-1530)



1 Filter control block



1 ND filter selection buttons

These buttons are lit when the RCP has the filter servo control permission. When they are not lit, the camera side has the control permission. Pressing either the top or bottom button once switches the control permission to the RCP. If there is no filter servo or the camera does not have a filter, these buttons do not light and the control permission can also not be switched.

The ▲ button changes the ND filters in order in the forward direction. The ▼ button changes them in the opposite direction. Pressing and holding one of the buttons changes the ND filters continuously.

2 Standard value indicators

These light when standard values are set in the Standard Ind menu. The indicators light in green when values are in their standard state, and in amber when values are not in their standard state.

3 CC (color temperature conversion) filter selection buttons

These buttons are lit when the RCP has the filter servo control permission. When they are not lit, the camera side has the control permission. Pressing either the top or bottom button once switches the control permission to the RCP. If there is no filter servo or the camera does not have a filter, these buttons do not light and the control permission can also not be switched.

The ▲ button changes the CC filters in order in the forward direction. The ▼ button changes them in the opposite direction. Pressing and holding one of the buttons changes the ND filters continuously.

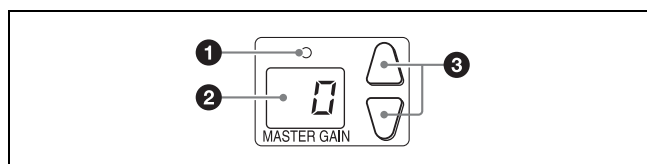
4 ND filter display window

This window displays the ND filter that is currently selected.

5 CC (color temperature conversion) filter display window

This window displays the CC filter that is currently selected.

2 Master gain control block



1 Standard value indicator

This lights when standard values are set in the Standard Ind menu. The indicator lights in green when values are in their standard state, and in amber when values are not in their standard state.

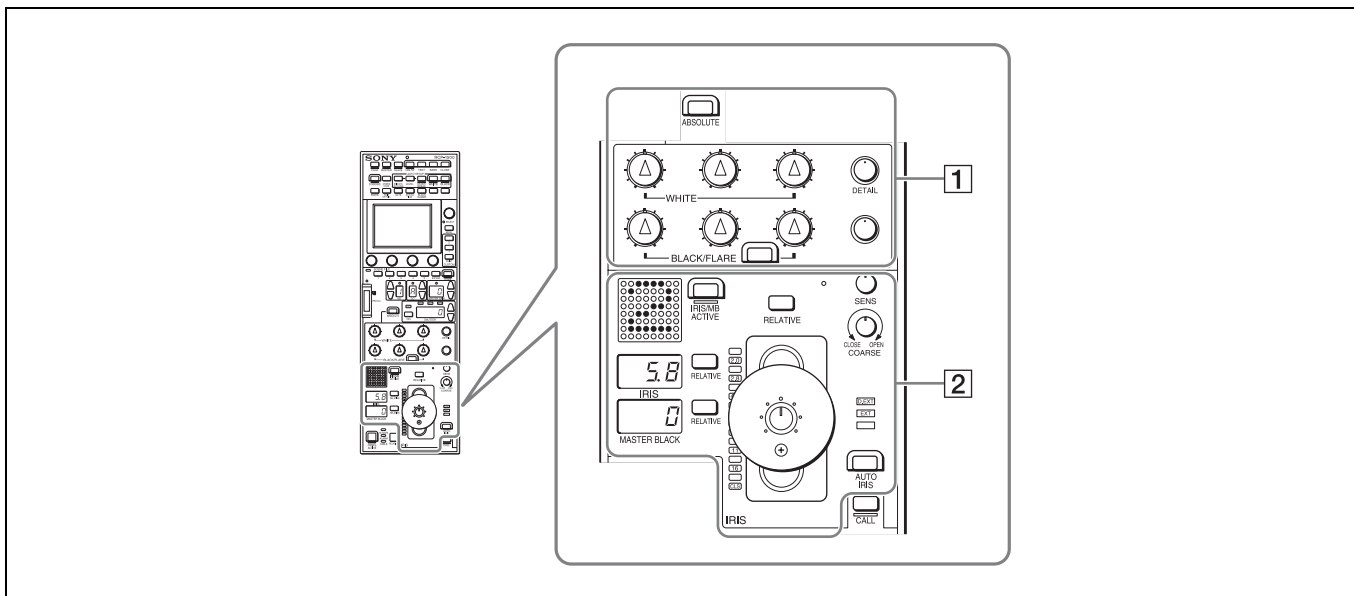
2 Master gain display window

This window displays the master gain that is currently set.

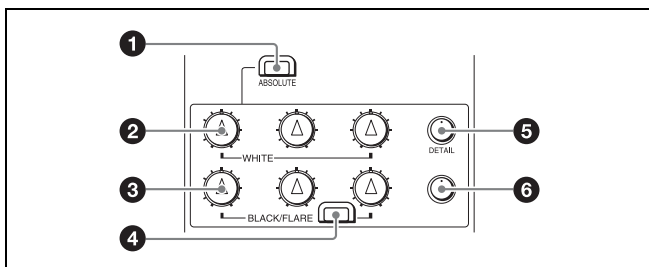
3 Master gain selection buttons

This block is for setting the sensitivity of the camera. Each press of the ▲ (up) button increases the sensitivity, and each press of the ▼ (down) button decreases it. Pressing and holding one of the buttons changes the sensitivity continuously. The setting value (unit: dB) is displayed in the displayed in the display window.

Adjustment block (RCP-1500)



1 White balance/black balance adjustment block



1 ABSOLUTE button

This button changes the mode for manual adjustment using the WHITE, BLACK, FLARE, DETAIL, and assignable knobs between absolute value mode (lit) and relative value mode (not lit). In absolute value mode, a knob indication value becomes that setting value. In relative value mode, a knob indication angle and the setting value do not match. The relative value mode is selected automatically in the following cases.

- During power up
- When the active status of the panel has changed
- When in PARA or master/subordinate mode
- When auto setup (level, white, and black) finishes
- When a scene file is read
- When the adjustment mode is switched between flare balance and black balance by pressing the FLARE button
- When the controlled CCU/HDCU is changed with the RCP Assign settings

2 WHITE (manual white balance) knobs

These knobs allow you to adjust the R, G, and B signals in order from left to right.

3 BLACK/FLARE (manual black balance/flare balance) knobs

These knobs adjust the black balance when the FLARE button is not lit, and the flare balance when the FLARE button is lit. They adjust the R, G, and B signals in order from left to right.

4 FLARE (flare balance mode) button

This button changes the adjustment mode of the BLACK/FLARE knobs. The knobs adjust the flare balance when the button is lit, and the black balance when the button is not lit.

5 DETAIL knob

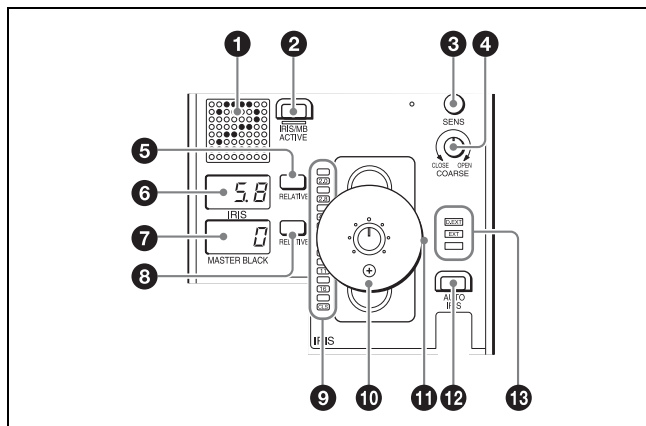
This knob adjusts the detail level.

6 Assignable adjustment knob

This knob adjusts a preselected item.

For details on selecting the item of the assignable adjustment knob, see page 44.

2 Iris/master control black adjustment block



1 Camera number/tally display window

This window displays an amber number for the camera controlled by the control panel.

When a red tally signal is sent to the camera, a black number is displayed and the background of the number lights in red. When a green tally signal is sent to the camera, a black number is displayed and the background of the number lights in green.

When both red and green tally signals are simultaneously sent, the left half of the background lights in red, and the right half lights in green.

② IRIS/MB ACTIVE (iris/master black active) button

This button is for the iris and master black control permission. The iris and master black can only be adjusted when this button is lit. Pressing the PANEL ACTIVE button also causes this button to light.

③ SENS (iris adjustment range) knob

This knob is for manually adjusting the iris in absolute value mode. It does not work in relative value mode.

④ COARSE (iris coarse adjustment) knob

This knob is for manually adjusting the iris.

Also see the table "Iris Adjustment Functions", (page 20).

⑤ IRIS RELATIVE button

This button changes the manual adjustment mode of the IRIS control lever. Relative value mode is enabled when the button is lit, and absolute value mode is enabled when the button is not lit.

⑥ IRIS display window

This window displays the iris setting as an F number. If the lens is closed, "CLS" is displayed.

⑦ Master black display window

This window displays the master black setting value.

⑧ MASTER BLACK RELATIVE button

This button changes the manual adjustment mode of the master black control ring. Relative value mode is enabled

when the button is lit, and absolute value mode is enabled when the button is not lit.

⑨ Iris indicators

The corresponding LED lights according to the iris setting. When the IRIS RELATIVE button is not lit, the indicators light dimly to display the upper and lower limits of manual adjustment.

⑩ IRIS control lever

This lever is for manually adjusting the iris of the lens when the AUTO IRIS button is not lit. When the AUTO IRIS button is lit, you can finely adjust the reference value for auto adjustment of the iris.

Press the switch axially to output preview key signals from the EXT I/O connector.

Also see the table "Iris Adjustment Functions", (page 20).

⑪ Master black control ring

This ring is for manually adjusting the master black. The setting value is displayed in the master black display window.

⑫ AUTO IRIS button

This button is for adjusting the iris automatically.

⑬ EXT (lens extender) indicators

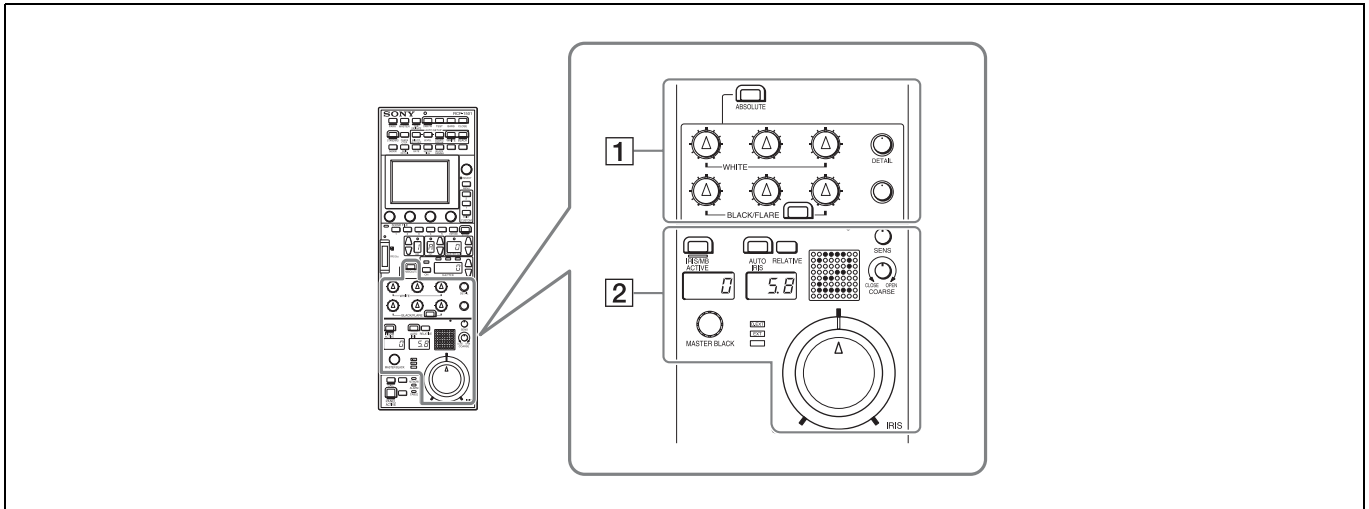
EXT: Lights when the lens extender is used.

D EXT: Lights when the digital extender function is turned ON.

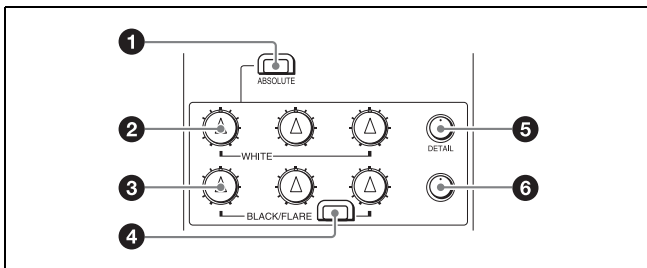
Iris Adjustment Functions

	Relative value mode (IRIS RELATIVE button lit)	Absolute value mode (IRIS RELATIVE button not lit)
IRIS knob	Adjusts the iris in relative values. A variable amount can be set. (See page 37)	Adjusts the iris within the variable range set by the SENS and COARSE knobs.
COARSE knob	Adjusts the iris in relative values within the full range from OPEN to CLOSE.	Sets the lower limit for the CLOSE side.
SENS knob	Does not function.	Sets the upper limit for OPEN, referenced to the CLOSE value set by the COARSE knob.

Adjustment block (RCP-1501)



1 White balance/black balance adjustment block



1 ABSOLUTE button

This button changes the mode for manual adjustment using the WHITE, BLACK, FLARE, DETAIL, and assignable knobs between absolute value mode (lit) and relative value mode (not lit). In absolute value mode, a knob indication value becomes that setting value. In relative value mode, a knob indication angle and the setting value do not match. The relative value mode is selected automatically in the following cases.

- During power up
- When the active status of the panel has changed
- When in PARA or master/subordinate mode
- When auto setup (level, white, and black) finishes
- When a scene file is read
- When the adjustment mode is switched between flare balance and black balance by pressing the FLARE button
- When the controlled CCU/HDCU is changed with the RCP Assign settings

2 WHITE (manual white balance) knobs

These knobs allow you to adjust the R, G, and B signals in order from left to right.

3 BLACK/FLARE (manual black balance/flare balance) knobs

These knobs adjust the black balance when the FLARE button is not lit, and the flare balance when the FLARE button is lit. They adjust the R, G, and B signals in order from left to right.

4 FLARE (flare balance mode) button

This button changes the adjustment mode of the BLACK/FLARE knobs. The knobs adjust the flare balance when the button is lit, and the black balance when the button is not lit.

5 DETAIL knob

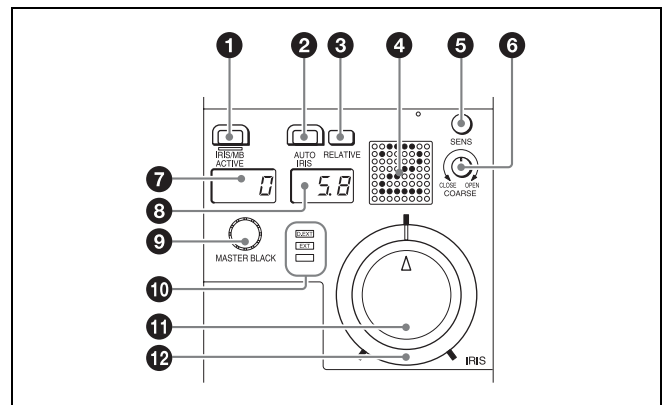
This knob adjusts the detail level.

6 Assignable adjustment knob

This knob adjusts a preselected item.

For details on selecting the item of the assignable adjustment knob, see page 44.

2 Iris/master control black adjustment block



1 IRIS/MB ACTIVE (iris/master black active) button

This button is for the iris and master black control permission. The iris and master black can only be adjusted when this button is lit. Pressing the PANEL ACTIVE button also causes this button to light.

2 AUTO IRIS button

This button is for adjusting the iris automatically.

3 IRIS RELATIVE button

This button changes the manual adjustment mode of the IRIS knob. Relative value mode is enabled when the button is lit, and absolute value mode is enabled when the button is not lit.

4 Camera number/tally display window

This window displays an amber number for the camera controlled by the control panel.

When a red tally signal is sent to the camera, a black number is displayed and the background of the number lights in red.

When a green tally signal is sent to the camera, a black number is displayed and the background of the number lights in green.

When both red and green tally signals are simultaneously sent, the left half of the background lights in red, and the right half lights in green.

5 SENS (iris adjustment range) knob

This knob is for manually adjusting the iris in absolute value mode. It does not work in relative value mode.

6 COARSE (iris coarse adjustment) knob

This knob is for manually adjusting the iris.

Also see the table "Iris Adjustment Functions", (page 20).

7 Master black display window

This window displays the master black setting value.

8 IRIS display window

This window displays the iris setting as an F number. If the lens is closed, "CLS" is displayed.

9 MASTER BLACK knob

This knob is for manually adjusting the master black. The setting value is displayed in the master black display window.

10 EXT (lens extender) indicators

EXT: Lights when the lens extender is used.

D EXT: Lights when the digital extender function is turned ON.

11 IRIS knob

This knob is for manually adjusting the iris of the lens when the AUTO button is not lit. When the AUTO IRIS button is lit, you can finely adjust the reference value for auto adjustment of the iris.

Also see the table "Iris Adjustment Functions", (page 20).

12 Iris gauge

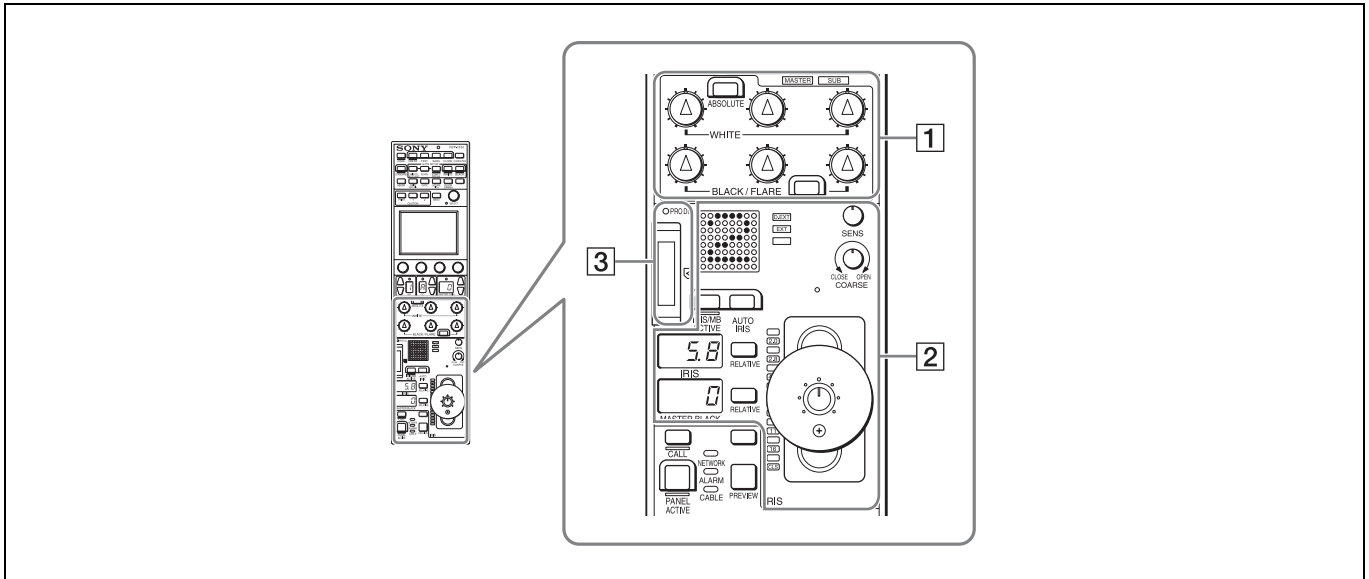
The white marker line on the gauge provides a click position for the IRIS knob. If you turn the gauge to align the marker line with the most frequently used iris position, it can be used as a setting reference for the IRIS knob.

The gauge rotates 360, so set the marker line so that it is outside the rotation range of the knob if you do not need a click position.

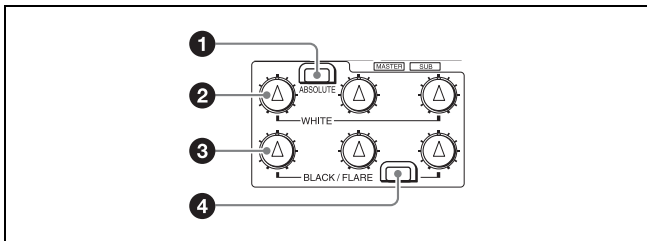
Iris Adjustment Functions

	Relative value mode (IRIS RELATIVE button lit)	Absolute value mode (IRIS RELATIVE button not lit)
IRIS knob	Adjusts the iris in relative values. A variable amount can be set. (See page 37)	Adjusts the iris within the variable range set by the SENS and COARSE knobs.
COARSE knob	Adjusts the iris in relative values within the full range from OPEN to CLOSE.	Sets the lower limit for the CLOSE side.
SENS knob	Does not function.	Sets the upper limit for OPEN, referenced to the CLOSE value set by the COARSE knob.

Adjustment block (RCP-1530)



1 White balance/black balance adjustment block



1 ABSOLUTE button

This button changes the mode for manual adjustment using the WHITE, BLACK, FLARE, DETAIL, and assignable knobs between absolute value mode (lit) and relative value mode (not lit). In absolute value mode, a knob indication value becomes that setting value. In relative value mode, a knob indication angle and the setting value do not match. The relative value mode is selected automatically in the following cases.

- During power up
- When the active status of the panel has changed
- When in PARA or master/subordinate mode
- When auto setup (level, white, and black) finishes
- When a scene file is read
- When the adjustment mode is switched between flare balance and black balance by pressing the FLARE button
- When the controlled CCU/HDCU is changed with the RCP Assign settings

2 WHITE (manual white balance) knobs

These knobs allow you to adjust the R, G, and B signals in order from left to right.

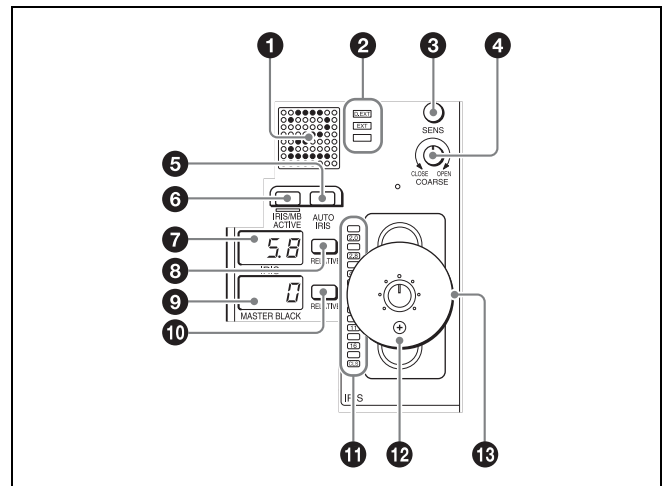
3 BLACK/FLARE (manual black balance/flare balance) knobs

These knobs adjust the black balance when the FLARE button is not lit, and the flare balance when the FLARE button is lit. They adjust the R, G, and B signals in order from left to right.

4 FLARE (flare balance mode) button

This button changes the adjustment mode of the BLACK/FLARE knobs. The knobs adjust the flare balance when the button is lit, and the black balance when the button is not lit.

2 Iris/master control black adjustment block



1 Camera number/tally display window

This window displays an amber number for the camera controlled by the control panel.

When a red tally signal is sent to the camera, a black number is displayed and the background of the number lights in red.

When a green tally signal is sent to the camera, a black number is displayed and the background of the number lights in green.

When both red and green tally signals are simultaneously sent, the left half of the background lights in red, and the right half lights in green.

2 EXT (lens extender) indicators

EXT: Lights when the lens extender is used.

D EXT: Lights when the digital extender function is turned ON.

③ SENS (iris adjustment range) knob

This knob is for manually adjusting the iris in absolute value mode. It does not work in relative value mode.

④ COARSE (iris coarse adjustment) knob

This knob is for manually adjusting the iris.

Also see the table “Iris Adjustment Functions”, (page 20).

⑤ AUTO IRIS button

This button is for adjusting the iris automatically.

⑥ IRIS/MB ACTIVE (iris/master black active) button

This button is for the iris and master black control permission. The iris and master black can only be adjusted when this button is lit. Pressing the PANEL ACTIVE button also causes this button to light.

⑦ IRIS display window

This window displays the iris setting as an F number. If the lens is closed, “CLS” is displayed.

⑧ IRIS RELATIVE button

This button changes the manual adjustment mode of the IRIS control lever. Relative value mode is enabled when the button is lit, and absolute value mode is enabled when the button is not lit.

⑨ Master black display window

This window displays the master black setting value.

⑩ MASTER BLACK RELATIVE button

This button changes the manual adjustment mode of the master black control ring. Relative value mode is enabled when the button is lit, and absolute value mode is enabled when the button is not lit.

⑪ Iris indicators

The corresponding LED lights according to the iris setting. When the IRIS RELATIVE button is not lit, the indicators light dimly to display the upper and lower limits of manual adjustment.

⑫ IRIS control lever

This lever is for manually adjusting the iris of the lens when the AUTO IRIS button is not lit. When the AUTO IRIS button is lit, you can finely adjust the reference value for auto adjustment of the iris.

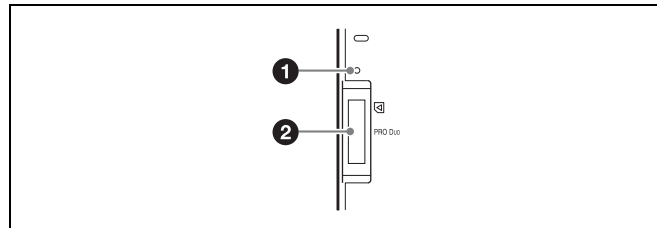
Press the switch axially to output preview key signals from the EXT I/O connector.

Also see the table “Iris Adjustment Functions”, (page 22).

⑬ Master black control ring

This ring is for manually adjusting the master black. The setting value is displayed in the master black display window.

③ “Memory Stick Duo” insertion block



① Access indicator

This indicates the status of a “Memory Stick Duo.”

Indication	Meaning or measure
Off	A “Memory Stick Duo” is not inserted.
Lit in green	A “Memory Stick Duo” is inserted.
Lit in red	Data is being read or written. The data cannot be guaranteed if you eject the “Memory Stick Duo” in this state (be careful because all of the data may be lost).

② “Memory Stick Duo” slot

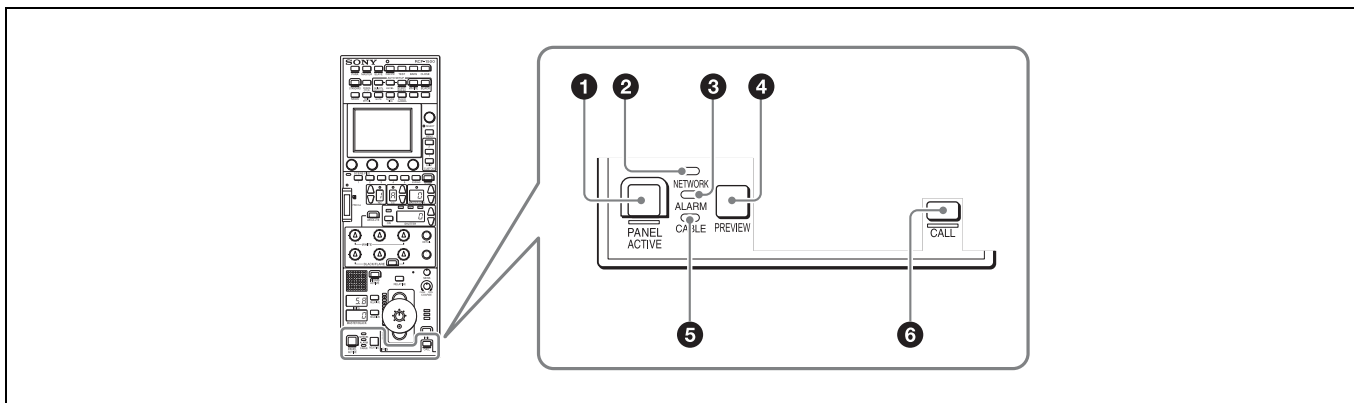
This slot allows you to use a “Memory Stick Duo.” You can save or read various files.

For details on handling a “Memory Stick Duo,” see “About “Memory Stick Duo”” (page 82).

Iris Adjustment Functions

	Relative value mode (IRIS RELATIVE button lit)	Absolute value mode (IRIS RELATIVE button not lit)
IRIS knob	Adjusts the iris in relative values. A variable amount can be set. (See page 37)	Adjusts the iris within the variable range set by the SENS and COARSE knobs.
COARSE knob	Adjusts the iris in relative values within the full range from OPEN to CLOSE.	Sets the lower limit for the CLOSE side.
SENS knob	Does not function.	Sets the upper limit for OPEN, referenced to the CLOSE value set by the COARSE knob.

Panel control/status display block (RCP-1500)



1 PANEL ACTIVE button

This button is for the control permission. It also serves as a function for preventing unintentional operation because a camera cannot be controlled from this control panel when this button and the PARA button are not lit.

Note

If the connection to the master breaks off in MCS mode system, panel active operations are not possible. In this case, a long press of the PANEL ACTIVE button forces the availability of the panel active.

2 NETWORK indicator

This indicates the status of the network connection.

Lighting state	Meaning
On	Connected to a control device.
Flashing	A control device cannot be found.
Off	Cannot connect to the camera network. Alternatively, the mode is LEGACY.

3 ALARM indicator

This lights red when a system error occurs and the self-diagnosis function is operating on the camera head or CCU/ HDCU.

4 PREVIEW button

This button is for outputting preview key signals from the EXT I/O connector.

5 CABLE indicator

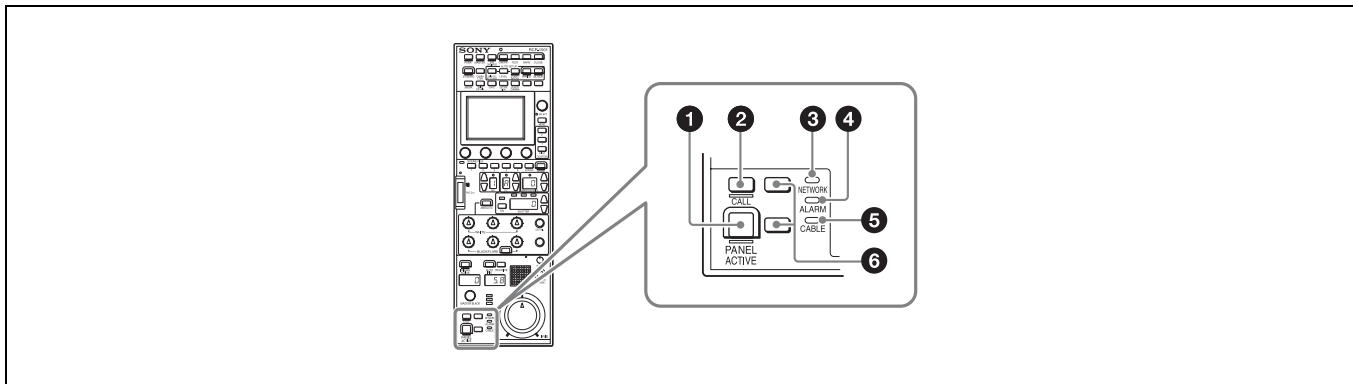
This indicates the communication state of the camera head and CCU.

Lighting state	Meaning
On (green)	The reception state is good.
On (yellow)	The reception level is low.
On (red)	The reception level is extremely low.
Off	The power of the camera is off. Alternatively, a communication error occurred.

6 CALL button

This button is for communication. If it is pressed, the tally state for the camera or CCU changes, and a call signal is sent. Likewise, a call signal can be received from another device. When a call signal is sent (or received), this button lights and the call sound plays. The call sound can be selected in the menu.

Panel control/status display block (RCP-1501)



❶ PANEL ACTIVE button

This button is for the control permission. It also serves as a function for preventing unintentional operation because a camera cannot be controlled from this control panel when this button and the PARA button are not lit.

Note

If the connection to the master breaks off in MCS mode system, panel active operations are not possible. In this case, a long press of the PANEL ACTIVE button forces the availability of the panel active.

❷ CALL button

This button is for communication. If it is pressed, the tally state for the camera or CCU changes, and a call signal is sent. A call signal can also be received from another device with this button. When a call signal is sent (or received), this button lights and the call sound plays. The call sound can be selected in the menu.

❸ NETWORK indicator

This indicates the status of the network connection.

Lighting state	Meaning
On	Connected to a control device.
Flashing	A control device cannot be found.
Off	Cannot connect to the camera network. Alternatively, the mode is LEGACY.

❹ ALARM indicator

This lights red when a system error occurs and the self-diagnosis function is operating on the camera head or CCU/HDCU.

❺ CABLE indicator

This indicates the communication state of the camera head and CCU.

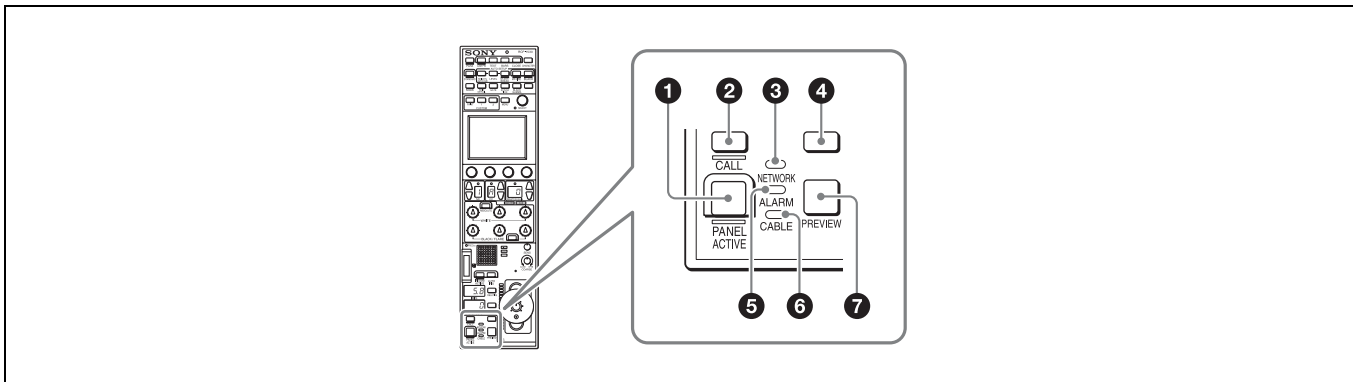
Lighting state	Meaning
On (green)	The reception state is good.
On (yellow)	The reception level is low.
On (red)	The reception level is extremely low.
Off	The power of the camera is off. Alternatively, a communication error occurred.

❻ Assignable buttons

These button allow any functions to be assigned to them.

For details on assigning functions to assignable buttons, see page 43.

Panel control/status display block (RCP-1530)



1 PANEL ACTIVE button

This button is for the control permission. It also serves as a function for preventing unintentional operation because a camera cannot be controlled from this control panel when this button and the PARA button are not lit.

Note

If the connection to the master breaks off in MCS mode system, panel active operations are not possible. In this case, a long press of the PANEL ACTIVE button forces the availability of the panel active.

2 CALL button

This button is for communication. If it is pressed, the tally state for the camera or CCU changes, and a call signal is sent. A call signal can also be received from another device with this button. When a call signal is sent (or received), this button lights and the call sound plays. The call sound can be selected in the menu.

3 NETWORK indicator

This indicates the status of the network connection.

Lighting state	Meaning
On	Connected to a control device.
Flashing	A control device cannot be found.
Off	Cannot connect to the camera network. Alternatively, the mode is LEGACY.

4 Assignable buttons

These button allow any functions to be assigned to them.

For details on assigning functions to assignable buttons, see page 43.

5 ALARM indicator

This lights red when a system error occurs and the self-diagnosis function is operating on the camera head or CCU/HDCU.

6 CABLE indicator

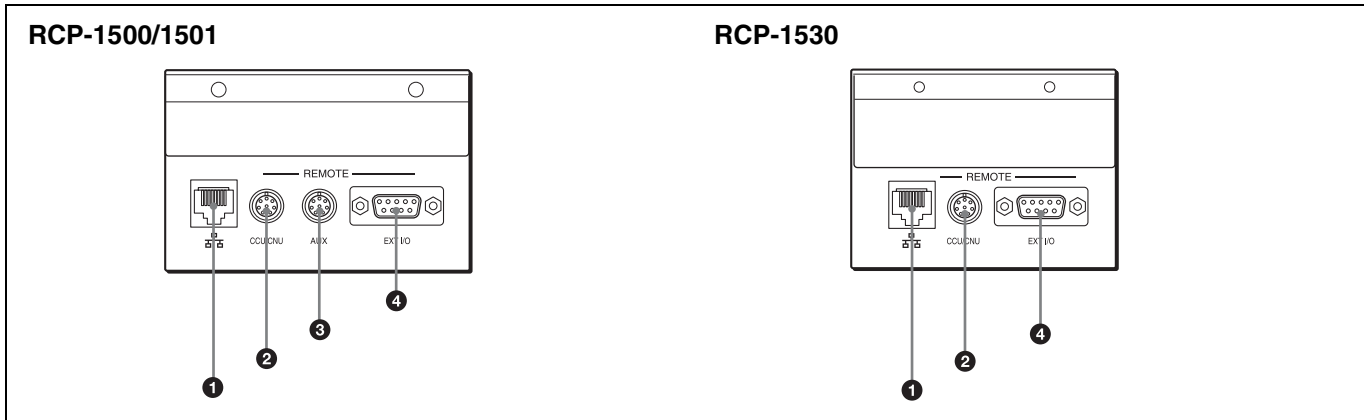
This indicates the communication state of the camera head and CCU.

Lighting state	Meaning
On (green)	The reception state is good.
On (yellow)	The reception level is low.
On (red)	The reception level is extremely low.
Off	The power of the camera is off. Alternatively, a communication error occurred.

7 PREVIEW button

This button is for outputting preview key signals from the EXT I/O connector.

Connector Panel



❶  **(network) connector (8-pin RJ-45)**

This is for connecting to the network. Use a LAN cable (shielded type, category 5 or above) to connect to a 10BASE-T/100BASE-TX hub. This connector can receive power supplied from an IEEE802.3af compliant power supply device (PoE).

❷ **CCU/CNU REMOTE (CCU/CNU remote) connector (8-pin multi-connector, female)**

This is for connecting to the RCP/CNU connector of the CCU or the RCP connector of the CNU.

❸ **AUX REMOTE (auxiliary remote) connector (8-pin multi-connector, female) (RCP-1500/1501 only)**

This is a spare connector.

❹ **EXT I/O connector (D-sub 9-pin, female)**

This is used for external interface connections.

Installation

For details on menu operations, see page 52.

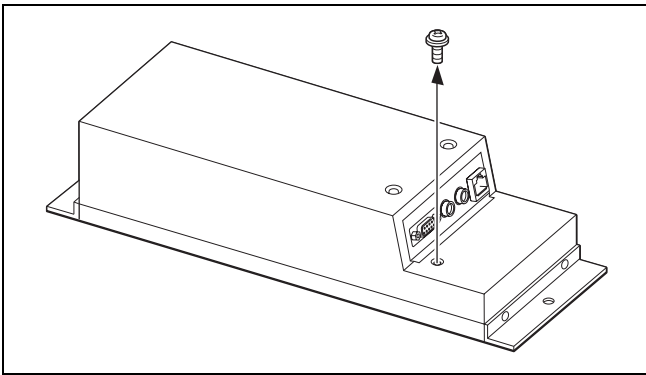
Connection Precautions

Ground the control panel in the following cases.

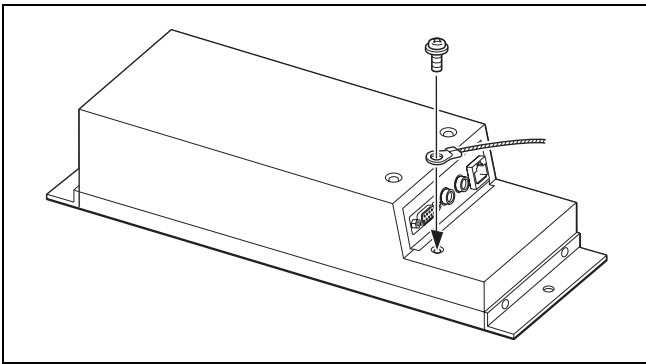
- When connecting using just a LAN cable

To connect a safety ground wire to the bottom of the control panel

- 1 Remove the screw for connecting a safety ground wire on the bottom of the control panel.



- 2 Use the removed screw to attach a safety ground wire.

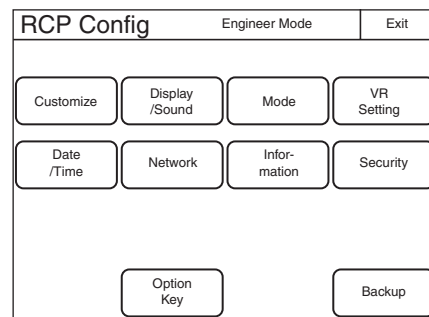


Setting the Status Screen Display

You can set the type of status screen that appears when no MENU buttons are lit.

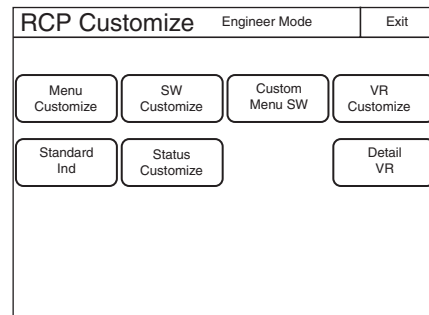
- With the status screen display disabled, a blank screen appears if no MENU buttons are lit.
- You can select from several types of contents displayed on the status screen. The adjustment functions can also be assigned to the adjustment knobs of the menu operation block according to a display type.

- 1 Enter engineer mode. (page 51)
- 2 Press the MENU button.
The menu closes and the control panel remains in engineer mode.
- 3 Display the RCP Config screen. (page 51)

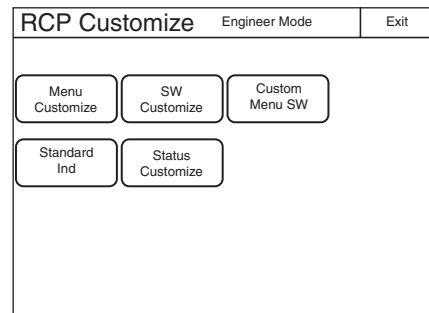


- 4 Press **Customize**.
The RCP Customize screen appears.

RCP-1500/1501

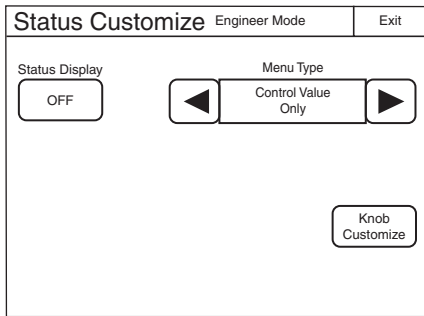


RCP-1530



5 Press **[Status Customize]**.

The Status Customize screen appears.



This screen contains the status display screen ON/OFF button, the status screen type select button, and the menu customize button of the adjustment knobs (according to display type). (The **[Knob Customize]** button may not appear, depending on the selected status screen type.)

[Status Display OFF] : When pressed, the button is lit and the status display is disabled. A blank screen appears if no MENU buttons on the operation panel are lit.

[Menu Type] : Selects the status screen type with the right and left arrow buttons.

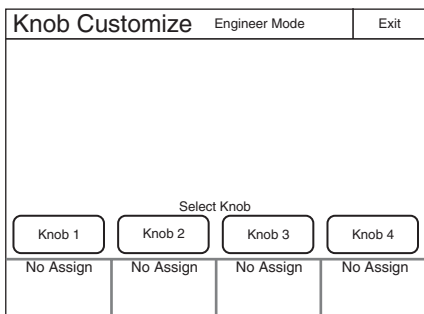
[Knob Customize] : Assigns the adjustment function to the adjustment knobs, according to the selected status screen type. Press this button to open the function assignment menu.

6 Press the **[Knob Customize]** button when using the adjustment button.

The Knob Customize screen appears.

The Select Knob buttons that set the usable adjustment knobs in the selected status screen type, and the functions currently assigned to the adjustment knobs are displayed.

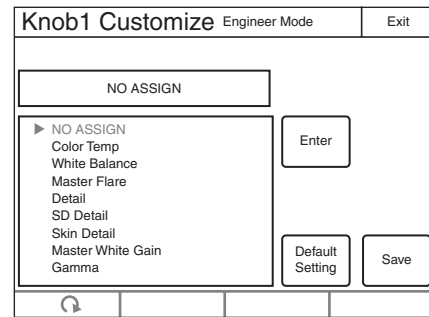
[Select Knob (Knob 1 - Knob 4)] : Assigns the adjustment knob to set, and opens the setting menu. (The displayed Select Knob buttons change according to the Menu Type selected in step 5.)



7 Press the **Select Knob** button to set the adjustment knob.

The Knob Customize screen for setting the assigned adjustment knob appears.

The Knob Customize screen displays the function currently assigned to the selected adjustment knob. A list of assignable functions is also displayed.



8 Turn the adjustment knob on the far left to select the function assigned to the adjustment knob.

Turn the adjustment knob on the far left to move the cursor (▶) up and down in the list. If you place a cursor over the function to assign, the function name is displayed in amber.

9 Press **[Enter]**.

The function assigned to the adjustment knob in the status screen changes to the function selected in the previous step. At this time, “*” appears in front of the function name.

10 Press **[Save]**.

The confirmation message screen appears.

11 Press **[Save]**.

The function assignment of the adjustment knob is saved to this unit. If you close the menu before saving, the function assignment of the adjustment knob will not be reflected.

12 When assigning a function to multiple adjustment knobs, repeat steps 7 to 11.

13 To reset function assignments of the adjustment knobs to their default settings, perform the following in the Knob Customize screen of each adjustment knob.

① Press **[Default Setting]**.

The confirmation message screen appears.

② Press **[OK]**.

Function assignments of the adjustment knobs are reset to their default settings.

③ Press **[Save]**.

Setting the Clock

The control panel has an internal clock for recording the date and time at which reference files and scene files are saved to a "Memory Stick Duo."

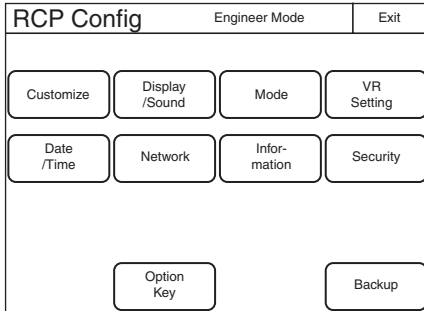
Use the following procedure to set the clock.

1 Enter engineer mode. (page 51)

2 Press the MENU button.

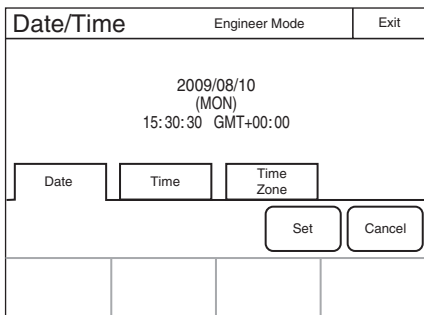
The menu closes and the control panel remains in engineer mode.

3 Display the RCP Config screen. (page 50)



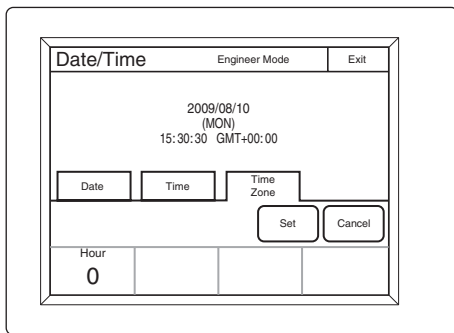
4 Press [Date/Time].

The Date/Time screen appears.



5 Set the time zone.

① Press and highlight [Time Zone].

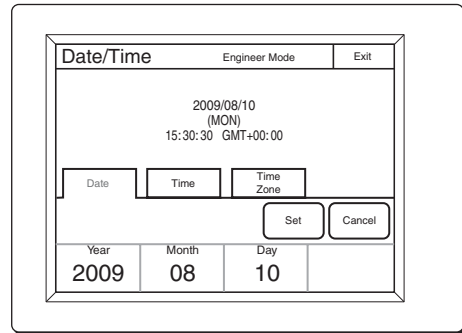


② Set your region with the leftmost adjustment knobs. Set the hour offset from Greenwich Standard Time.

③ Press [Set].

6 Set the date.

① Press and highlight [Date].

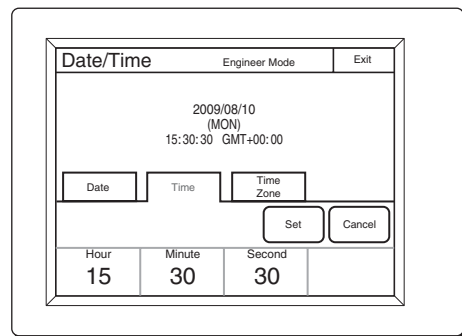


② Set the Year, Month, and Day with the left three adjustment knobs.

③ Press [Set].

7 Set the time.

① Press and highlight [Time].



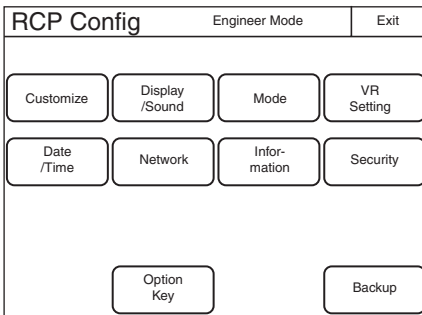
② Set the Hour, Minute and Second with the left three adjustment knobs.

③ Press [Set] in synchronization with a time signal.

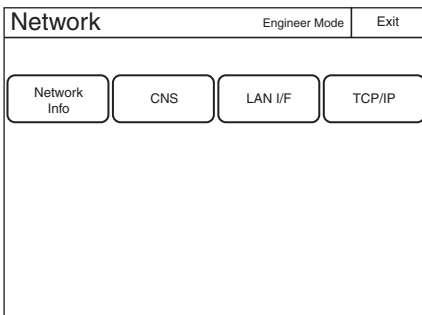
Setting the LAN Connection

When connecting using a LAN cable, set the LAN I/F as follows:

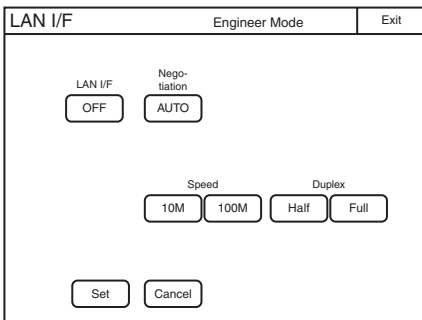
- 1 Enter engineer mode. (page 51)**
- 2 Press the MENU button.**
The menu closes and the control panel remains in engineer mode.
- 3 Display the RCP Config screen. (page 50)**



- 4 Press [Network].**
The Network screen appears.



- 5 Press [LAN I/F].**
The LAN I/F screen appears.
The Speed and Duplex buttons are not displayed when Negotiation is set to AUTO, as the Speed/Duplex setting is made automatically.



This screen allows settings for the equipment for LAN connection.

Perform the setting according to the connection requirements for the target.

LAN I/F: Sets LAN I/F to OFF.

Negotiation AUTO: The connection settings for the target equipment are configured automatically. Use AUTO only when the target equipment also supports the Auto Negotiation function.

Speed 10M/100M: Sets the connection speed.

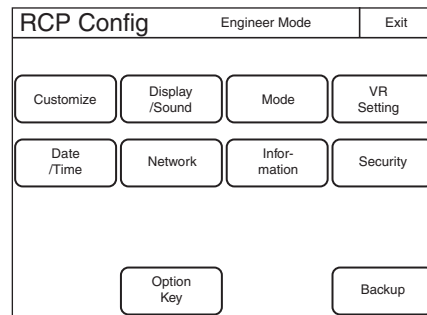
Duplex Half/Full: Sets the communication method: Half (half duplex) or Full (full duplex).

Setting LEGACY Mode

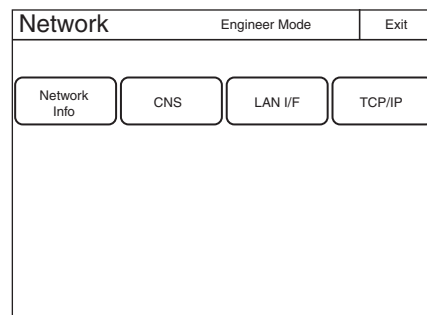
Set the control panel to LEGACY mode when connecting without using a LAN cable. When the control panel is connected, for example, to a multi-camera system with a CNU-700 or to a LAN system and a LAN cable is not directly connected to the control panel, always set the control panel to LEGACY mode. The TCP/IP and RCP number do not need to be set.

- 1 Enter engineer mode. (page 51)**
- 2 Press the MENU button.**
The menu closes and the control panel remains in engineer mode.

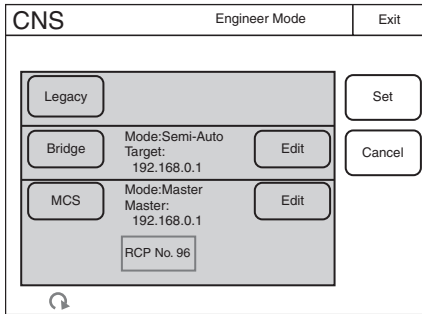
- 3 Display the RCP Config screen. (page 50)**



- 4 Press [Network].**
The Network screen appears.



- 5 Press **[CNS]**.
The CNS screen appears.



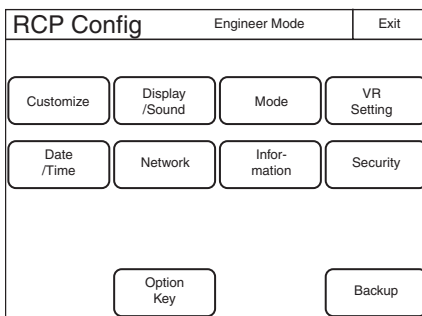
- 6 Press **[LEGACY]**.

- 7 Press **[Set]**.
The control panel is set to LEGACY mode.

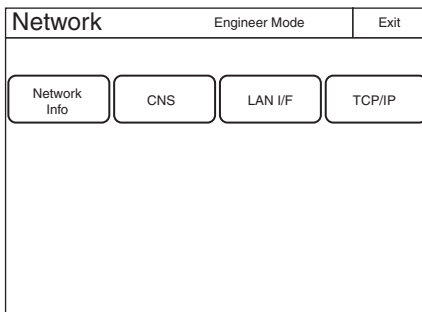
Setting BRIDGE Mode

Set the control panel to BRIDGE mode when connecting the control panel and a camera device on a LAN on a one-to-one basis. The TCP/IP needs to be set in BRIDGE mode. The IP address of the connection target camera device also needs to be set in the RCP or MSU. The RCP number does not need to be set. Multi-camera operation is not possible in BRIDGE mode.

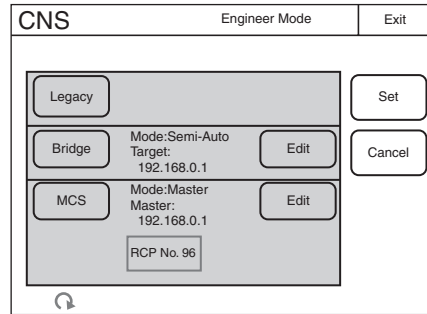
- 1 Enter engineer mode. (page 51)
- 2 Press the MENU button.
The menu closes and the control panel remains in engineer mode.
- 3 Display the RCP Config screen. (page 50)



- 4 Press **[Network]**.
The Network screen appears.



- 5 Press **[CNS]**.
The CNS screen appears.

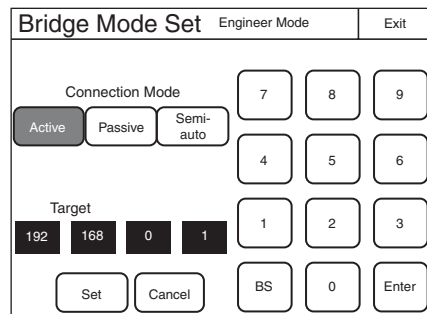


- 6 Press **[Bridge]**.

- 7 Press **[Set]**.
The control panel is set to BRIDGE mode.

- 8 Set the connection mode.

- 1 Press **[Edit]**.
The Bridge Mode Set screen appears.



- 2 Press a button to set the sub mode of BRIDGE mode. Set the sub mode in accordance with the connection state.
[Active] : Performs the process to connect to the target by itself.
[Passive] : Waits for a connection from the target.
[Semi-auto] : Switches between Active and Passive depending on the connection environment. Active is enabled when the RCP stands alone, and Passive is enabled when the RCP is connected to a CCU or camera via a CCA-5 cable.

- 9 Set the IP address of the connection target camera device.

- 1 Set the target IP address.
Press the IP address input field, and then use the numeric keypad on the screen to enter the IP address.
- 2 Press **[Set]**.

- 10 Press **[Exit]**.
The CNS screen reappears.

- 11 Press **[Exit]**.
The Network screen reappears.

- 12 Set the TCP/IP.

- Press **TCP/IP**.
The TCP/IP screen appears.

TCP/IP		Engineer Mode	Exit
IP Address			
192	168	0	1
7	8	9	
Subnet Mask			
255	255	255	0
4	5	6	
Default GW			
0	0	0	0
1	2	3	
Set	Cancel	BS	0
Enter			

- Set the IP address, subnet mask, and default gateway. Press the corresponding input field, and then use the numeric keypad on the screen to enter the information.

- Press **Set**.

13 Press **Exit**.

The Network screen reappears and the control panel is set to BRIDGE mode.

Setting Multi-Camera System (MCS) Mode

Set the control panel to MCS mode when using it in a multi-camera system on a LAN. However, set the control panel to LEGACY mode when connecting it to a CCU via a CCA cable and connecting a LAN cable to that CCU. The mode to use when connecting a LAN cable to the control panel and using a CCA cable to connect to a CCU is MCS mode.

One device needs to be the master in MCS mode. The MSU can be set as the master, but if there are multiple MSUs within the system, set one MSU as the master and set the remaining MSUs as clients.

To set the control panel to MCS mode, the TCP/IP, IP address of the master device, and RCP number need to be set. The RCP number corresponds to the camera selection number of the MSU. Configure the setting so that there will not be a duplicate within the system.

1 Enter engineer mode. (page 51)

2 Press the MENU button.

The menu closes and the control panel remains in engineer mode.

3 Display the RCP Config screen. (page 50)

RCP Config		Engineer Mode	Exit
Customize	Display /Sound	Mode	VR Setting
Date /Time	Network	Information	Security
Option Key		Backup	

4 Press **Network**.

The Network screen appears.

Network		Engineer Mode	Exit
Network Info	CNS	LAN I/F	TCP/IP

5 Press **CNS**.

The CNS screen appears.

CNS		Engineer Mode	Exit
Legacy	Mode: Semi-Auto	Target: 192.168.0.1	Edit
Bridge	Mode: Master	Master: 192.168.0.1	Edit
MCS	RCP No. 96		
Set	Cancel		



6 Press **MCS**.

7 Press **Set**.

The control panel is set to MCS mode.

8 Set the IP address of the master device.

- Press **Edit**.

The MCS Mode Set screen appears.

MCS Mode Set		Engineer Mode	Exit
7 8 9			
4 5 6			
Master			
192	168	0	1
1	2	3	
Set	Cancel	BS	0
Enter			

- Set the IP address of the master device. Press the IP address input field, and then use the numeric keypad on the screen to enter the IP address.

- Press **Set**.

9 Press **Exit**.

The CNS screen reappears.

10 Set the RCP number.

- Turn the adjustment knob on the far left to change the RCP number.

Note

If an RCP number is duplicated, the equipment will not function normally. Be sure to set a number that will not be a duplicate of that of another MCS.

- Press **[Set]**.

11 Press **[Exit]**.

The Network screen reappears.

12 Set the TCP/IP.

- Press **[TCP/IP]**.

The TCP/IP screen appears.

TCP/IP		Engineer Mode	Exit
IP Address			
192	168	0	1
7	8	9	
Subnet Mask			
255	255	255	0
4	5	6	
Default GW			
0	0	0	0
1	2	3	
Set	Cancel	BS	0
		Enter	

- Set the IP address, subnet mask, and default gateway. Press the corresponding input field, and then use the numeric keypad on the screen to enter the information.
- Press **[Set]**.

13 Press **[Exit]**.

The Network screen reappears and the control panel is set to MCS mode.

Changing the Output Destination for Previews

The output destination of the key signals for previews of the control panel can be changed.

1 Enter engineer mode. (page 51)

2 Press the MENU button.

The menu closes and the control panel remains in engineer mode.

3 Display the RCP Config screen. (page 50)

RCP Config		Engineer Mode	Exit
Customize	Display /Sound	Mode	VR Setting
Date /Time	Network	Information	Security
Option Key	Backup		

4 Press **[Mode]**.

The RCP Mode screen appears.

RCP Mode		Engineer Mode	Exit
Screen Saver	PIX/WF	Matrix Gate	Extend Call
Panel Active	Preview		

5 Press **[Preview]**.

The Preview screen appears.

RCP-1500/1530

Preview		Engineer Mode	Exit
Preview			
RCP	CCU	CNU S-BUS	
Disable			
Joy	Preview SW		

RCP-1501

Preview		Engineer Mode	Exit
Preview			
RCP	CCU	CNU S-BUS	

6 Press a button to select the output destination.

- [RCP]** : EXT I/O connector of the RCP unit
- [CCU]** : External output connector of the CCU
- [CNU S-BUS]** : S-BUS system via the CNU

Settings

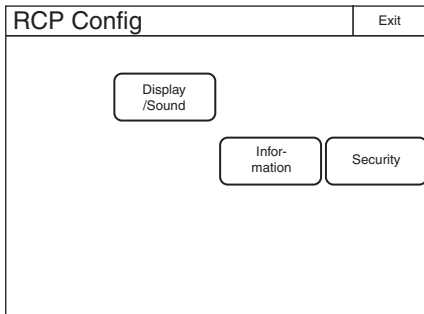
For details on menu operations, see page 52.

Setting the User Interface

To set the sounds

The control panel plays a sound when call signals are received, and when the panel is operated. Turn ON/OFF the sounds or adjust the volume if necessary.

1 Display the RCP Config screen. (page 50)

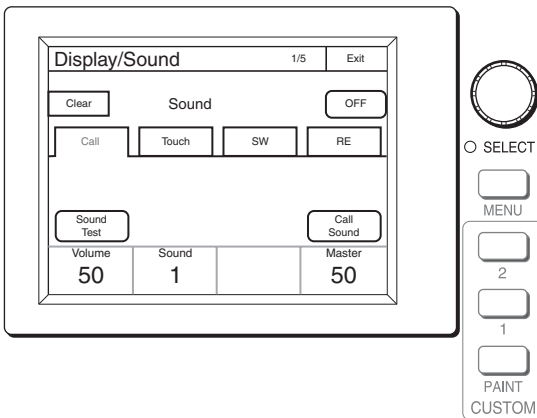


2 Press **Display/Sound**. The Display/Sound screen appears.

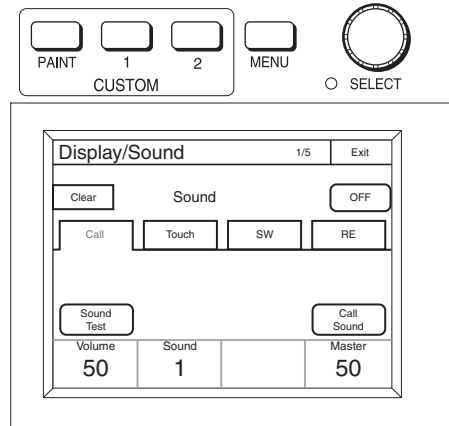
3 Turn the **SELECT** knob to select "Sound." The Sound screen appears.

The Sound screen can also be displayed after you press the SELECT knob if you turn the SELECT knob to select "Sound" and then press the SELECT knob.

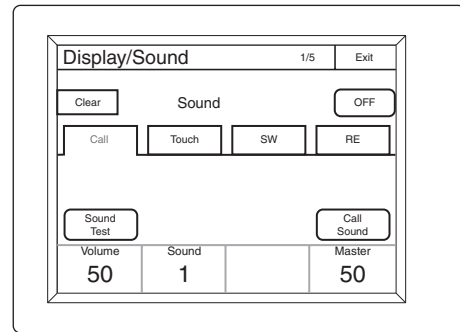
RCP-1500/1501



RCP-1530



4 Select the type of sound to set. Press the tab to display the setting screen of the desired sound, and then set each of the sound settings.



Call: Sets the sound played when call signals are received.

Touch: Sets the sound played when the LCD/touch panel is touched.

SW: Sets the sound played when the buttons are pressed.

RE: Sets the sound played when the adjustment knobs are turned.

5 Turn the adjustment knobs to set the sound.

The following settings can be configured.

Volume: Adjusts the volume.

Sound: Selects the type of sound.

Master: Adjusts the master volume.

To confirm a sound, press **Sound Test** to play the sound.

To turn ON/OFF the sound for each type

One of following buttons is displayed in each of the sound setting screens to turn ON/OFF the sound. You can press the button to turn ON/OFF the sound. The sound turns ON when the button lights.

Call Sound : Turns ON/OFF the sound played when call signals are received.

Touch Click : Turns ON/OFF the sound played when the LCD/touch panel is touched.

Switch Click : Turns ON/OFF the sound played when the buttons are pressed.

RE Click : Turns ON/OFF the sound played when the adjustment knobs are turned.

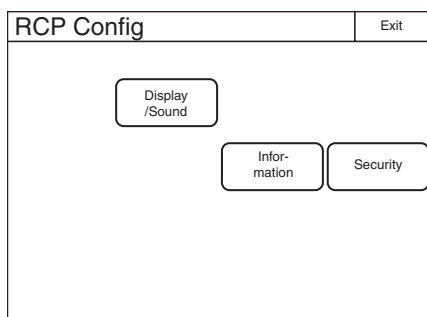
To turn off all sounds

Press **OFF** to light the button.

To set the brightness of the LEDs

You can adjust the brightness of the operation buttons and tally display window on the control panel.

1 Display the RCP Config screen. (page 50)



2 Press [Display/Sound].

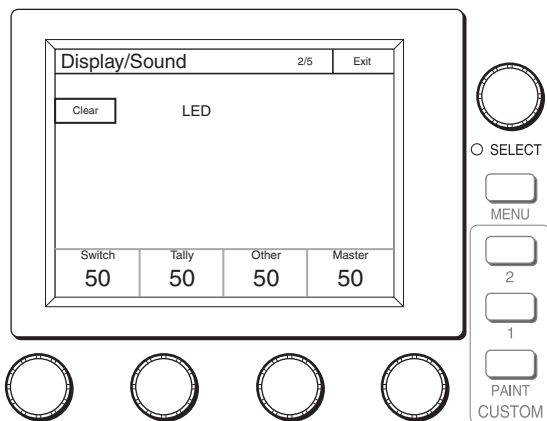
The Display/Sound screen appears.

3 Turn the SELECT knob to select "LED."

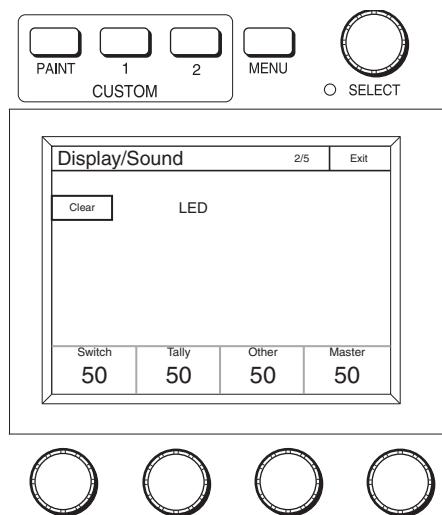
The LED screen appears.

The LED screen can also be displayed after you press the SELECT knob if you turn the SELECT knob to select "LED" and then press the SELECT knob.

RCP-1500/1501



RCP-1530



4 Turn the adjustment knobs to set the brightness of the LEDs.

The following settings can be configured.

Switch: Sets the brightness of the LEDs built into the operation buttons.

Tally: Sets the brightness of the camera number/tally display window.

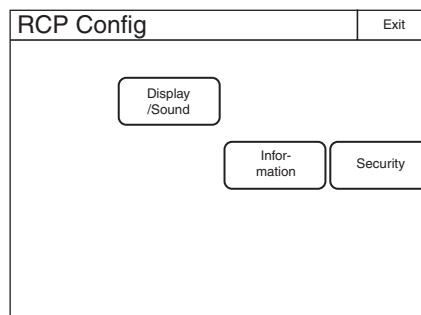
Other: Sets the brightness of the indicators.

Master: Sets the brightness of all LEDs.

To adjust the LCD

You can adjust the brightness of the LCD of the menu operation block.

1 Display the RCP Config screen. (page 50)



2 Press [Display/Sound].

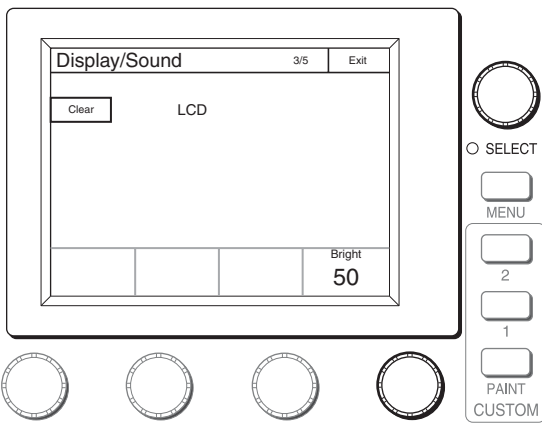
The Display/Sound screen appears.

3 Turn the SELECT knob to select "LCD."

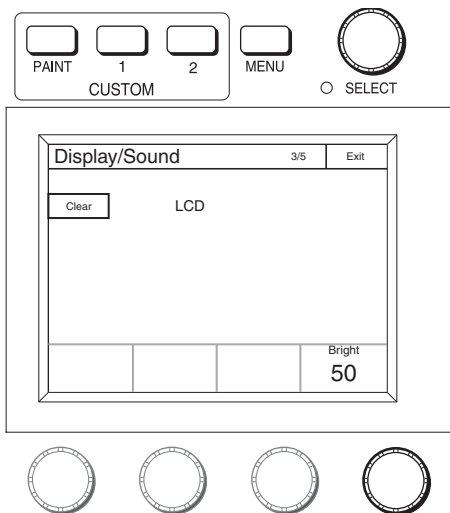
The LCD screen appears.

The LCD screen can also be displayed after you press the SELECT knob if you turn the SELECT knob to select "LCD" and then press the SELECT knob.

RCP-1500/1501



RCP-1530



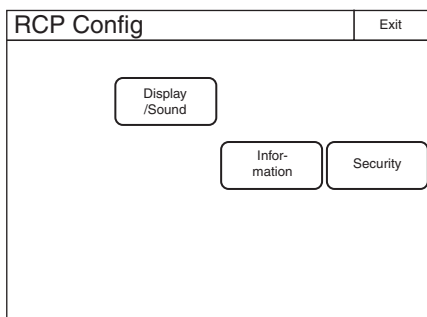
4 Turn the adjustment knobs to set the brightness of the LCD.

The following setting can be configured.
Bright: Sets the brightness of the LCD.

To illuminate character display in dark places

You can set a slight light to be emitted from the characters on the panel by the EL backlight. This setting makes the characters easy to see in dark surroundings.

1 Display the RCP Config screen. (page 50)



2 Press **Display/Sound**.

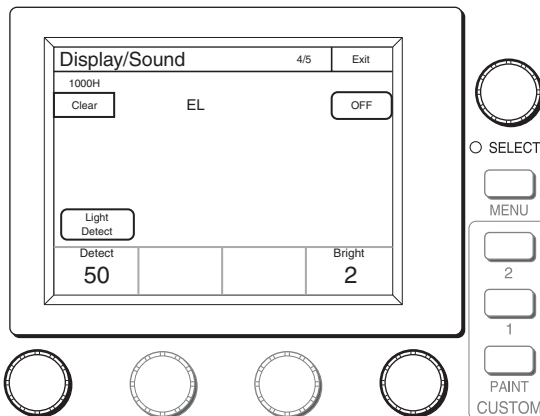
The Display/Sound screen appears.

3 Turn the **SELECT** knob to select "EL."

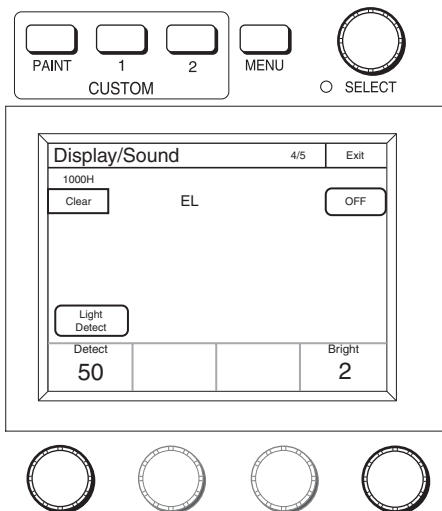
The EL screen appears.

The EL screen can also be displayed after you press the **SELECT** knob if you turn the **SELECT** knob to select "EL" and then press the **SELECT** knob.

RCP-1500/1501



RCP-1530



4 Turn the adjustment knobs to change the setting.

The following settings can be configured.

Detect: Specifies the surrounding brightness at which to turn OFF the EL backlight. If you press the **Light Detect** button to light the button, the EL backlight turns OFF automatically when the brightness of the value that is specified here is detected.

Bright: Adjusts the brightness of the EL backlight.

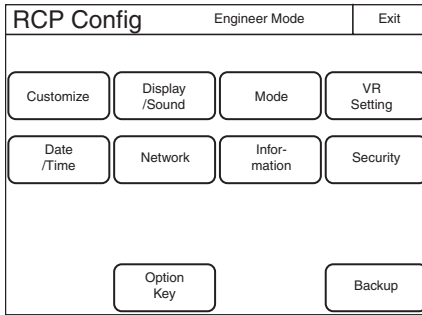
To turn OFF the character light setting

Press **OFF** to light the button.

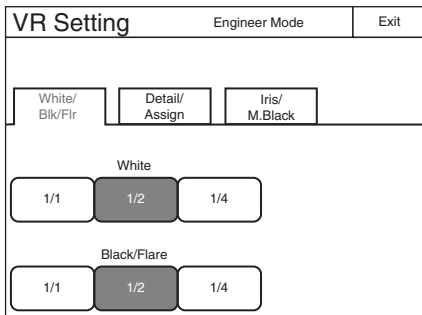
To change the sensitivity of the adjustment knobs

You can change the sensitivity of the WHITE, BLACK/FLARE, DETAIL, assignable, IRIS, and MASTER BLACK adjustment knobs for when they are used in relative value mode.

- 1 Enter engineer mode. (page 51)
- 2 Press the MENU button.
The menu closes and the control panel remains in engineer mode.
- 3 Display the RCP Config screen. (page 50)



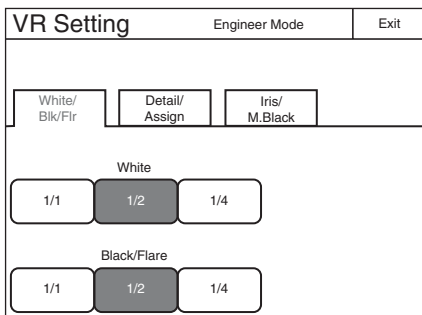
- 4 Press [VR Setting].
The VR Setting screen appears.



The following steps differ depending on the type of knob to be adjusted (WHITE or BLACK/FLARE, DETAIL, IRIS, or MASTER BLACK).

To adjust the sensitivity of the WHITE and BLACK/FLARE knobs

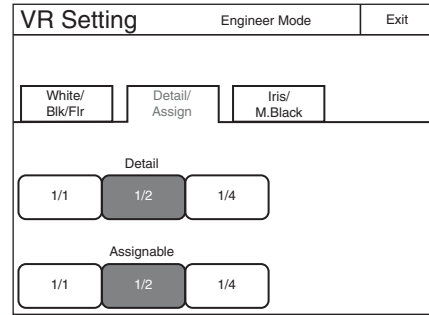
- 1 Press the [White/Blk/Flr] tab.



- 2 Press the sensitivity (number) you want to set for each of the adjustment knobs.

To adjust the sensitivity of the DETAIL and assignable knobs (RCP-1500/1501 only)

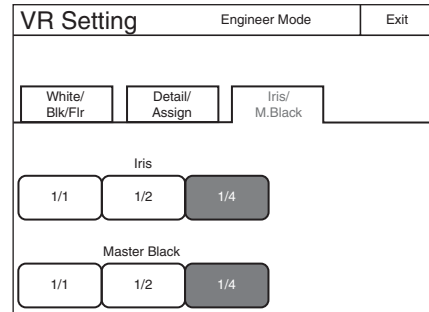
- 1 Press the [Detail/Assign] tab.



- 2 Press the sensitivity (number) you want to set for each of the adjustment knobs.

To adjust the sensitivity of the IRIS and MASTER BLACK knobs

- 1 Press the [Iris/M.Black] tab.



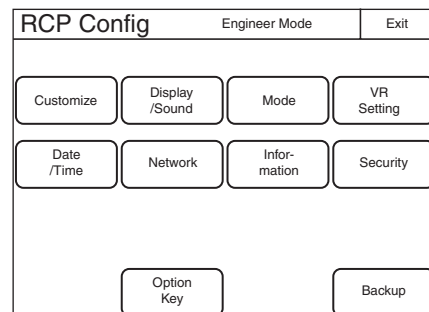
- 2 Press the sensitivity (number) you want to set for each of the adjustment knobs.

To set the screen saver

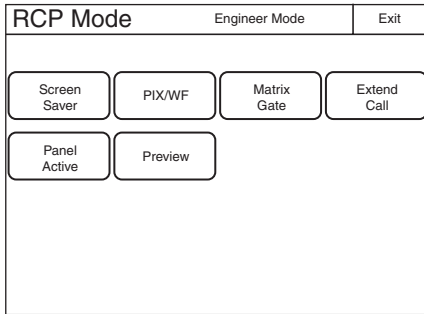
You can set the screen saver to be activated to protect the display of the menu operation block when the control panel is not operated for a certain time.

The screen saver can be turned ON/OFF and the time until it is activated can be set as necessary.

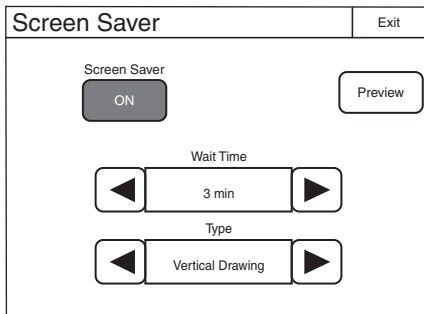
- 1 Enter engineer mode. (page 51)
- 2 Press the MENU button.
The menu closes and the control panel remains in engineer mode.
- 3 Display the RCP Config screen. (page 50)



- 4 Press [Mode].**
The Mode screen appears.



- 5 Press [Screen Saver].**
The Screen Saver screen appears.



- 6 Press [ON] to light the button and turn ON the screen saver.**

- 7 Set the screen saver.**
The following settings can be configured. You can press ◀ or ▶ to change both of the settings.

Wait Time: Sets the time until the screen saver is activated in minutes.

Type: Selects the type of screen saver.

Press [Preview] to display a preview of the selected screen saver. Press any place on the LCD to cancel the preview display.

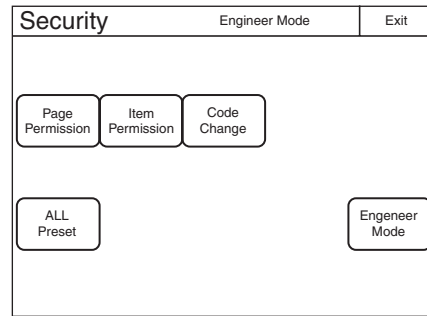
To perform RPN correction

The CCD image sensor is manufactured with high precision technology. However, cosmic rays and other noise may affect the pixels of the CCD image sensor, resulting in small white dots appearing on the display. This is a physical characteristic of CCD image sensors and is not a malfunction.

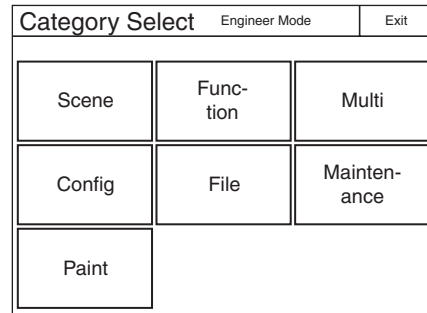
Performing auto black balance adjustment activates the correction function, and may reduce the effects of this phenomenon.

You can also perform correction manually to reduce the white dots.

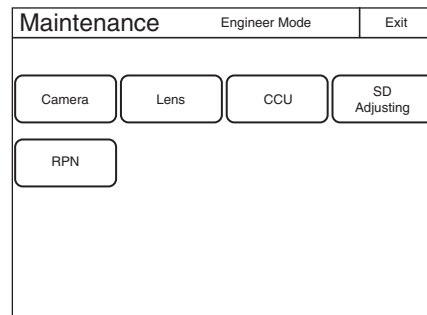
- 1 Enter engineer mode. (page 51)**



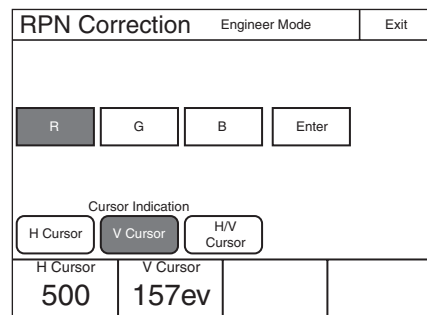
- 2 Press [Exit] to return to the Category Select screen.**



- 3 Press [Maintenance].**
The Maintenance screen appears.



- 4 Press [RPN].**
The RPN Correction screen appears.



A cross-shaped cursor appears on the PIX monitor. Perform the following steps while viewing the PIX monitor.

- 5 Press the button that corresponds to the channel you want to correct ([R], [G], or [B]) to light it.**

6 Select the cursor type displayed on the monitor.

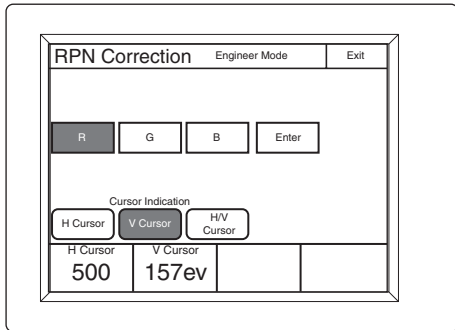
H Cursor : Press this to light the button and turn the horizontal cursor ON.

V Cursor : Press this to light the button and turn the vertical cursor ON.

H/V Cursor : Press this to light the button and turn the horizontal and vertical cursors ON.

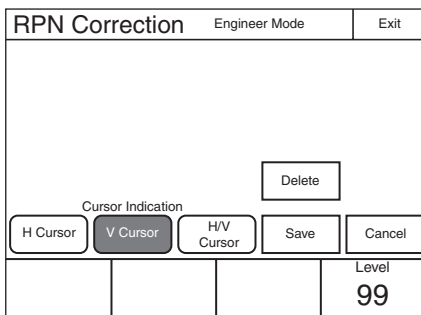
7 Move the cursors on the monitor to the position you want to correct.

Turning the adjustment knobs move the cursors on the monitor. Based on the cursor type selected in step 6, the horizontal or vertical cursor or both will be assigned to the adjustment knobs.



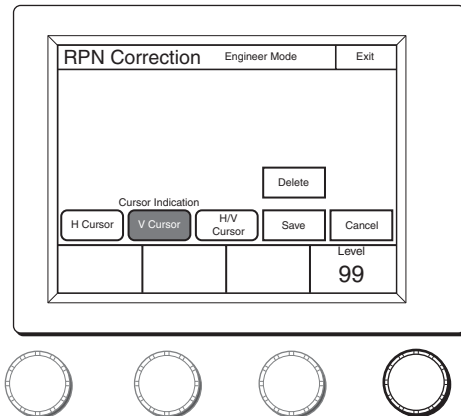
8 Press **Enter**.

The cursor position is set, and the RPN Correction screen changes to the following.



9 Turn the adjustment knob on the far right to correct the defect on the monitor.

Turning the adjustment knob right increases the brightness level, and turning it left decreases the brightness level. View the monitor and perform adjustments until the defects are not visible.



10 Press **Save**.

The brightness correction value is registered to the control panel.

To set a different correction value, press **Delete** to delete the previous value, and repeat the procedure from step 9.

11 Press **Exit**.

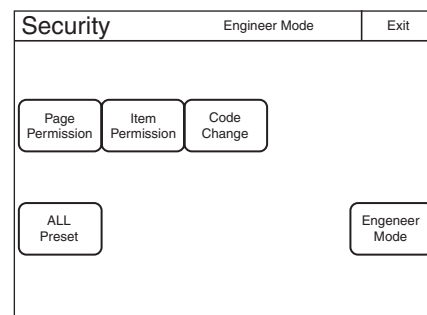
The brightness correction value is registered to the control panel.

Setting Security Restrictions

To set the security level

You can restrict the control functions of the control panel if necessary.

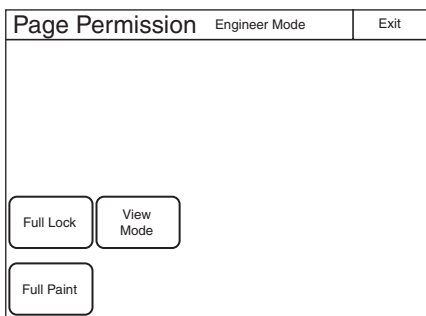
1 Enter engineer mode. (page 51)



2 Set the security level.

The settings for the security level are split into two screens. Press each of the buttons to display each setting screen and configure the security level settings.

When **Page Permission** is pressed:



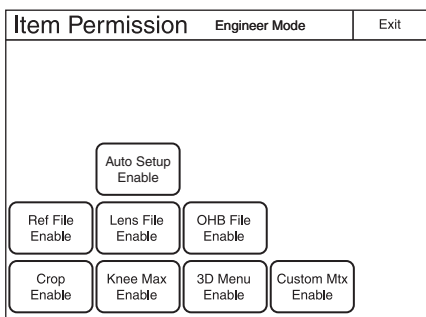
The following settings can be configured.

Full Lock : Press this to light the button and prohibit all operations of the control panel.

View Mode : Press this to light the button and prohibit all operations of the control panel except for viewing data.

Full Paint : Under the default settings, all operations of the control panel are prohibited except for custom paint menu operations. Press this to light the button and permit all other operations of the control panel.

When **Item Permission** is pressed:



The following settings can be configured.

Auto Setup Enable : Press this to light the button and add the **Auto Setup** button to the Maintenance menu. The APR function of the control panel is permitted.

Ref File Enable : Press this to light the button and permit the setting of the reference files of the control panel.

Lens File Enable : Press this to light the button and permit the setting of the lens files of the control panel.

OHB File Enable : Press this to light the button and permit the setting of the OHB files of the control panel.

Crop Enable : Press this to light the button and permit the setting of 16:9 → 4:3 Crop of the control panel.

Knee Max Enable : Press this to light the button and permit the knee max function.

3D Menu Enable : Press this to light the button and permit 3D System and CCU 3D Monitor configuration of the control panel. Light **3D Menu Enable** when using the HDFA-200 and configuring the 3D system.

Custom Mtx Enable : Press this to light the button and the Custom Matrix menu is added to the FILE

menu. You can save a Custom Preset Matrix file, and save or readout the file from a Memory Stick.

3 Press **Exit** when the settings are finished. The Security screen reappears.

4 Press **Engineer Mode** to cancel engineer mode.

To protect operations with a security code

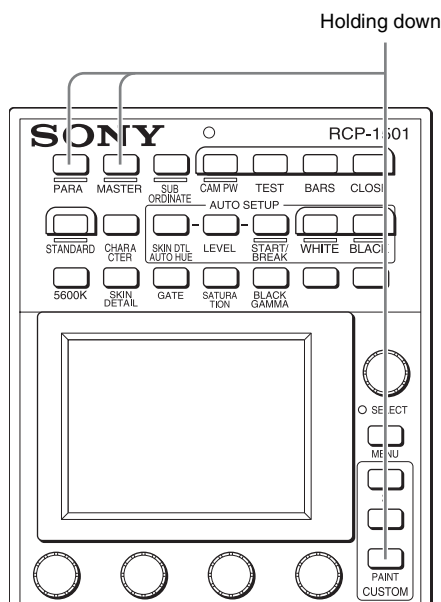
To prevent unwanted operations, you can protect operation of the control panel with a security code.

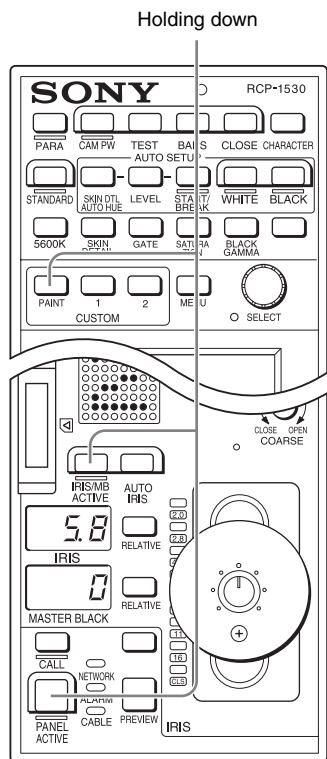
To enable security code protection

Under the default settings, the security code is disabled. Use the following procedure to enable the security code.

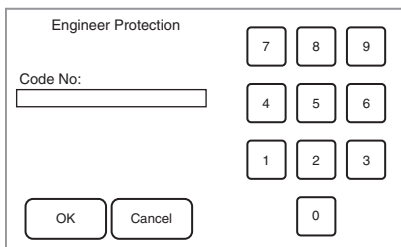
- 1** For RCP-1500/1501, turn on the control panel while holding down the **PARA**, **MASTER**, and **CUSTOM PAINT** buttons.
For RCP-1530, turn on the control panel while holding down the **PANEL ACTIVE**, **IRIS/MB ACTIVE**, and **PAINT** buttons.

RCP-1500/1501



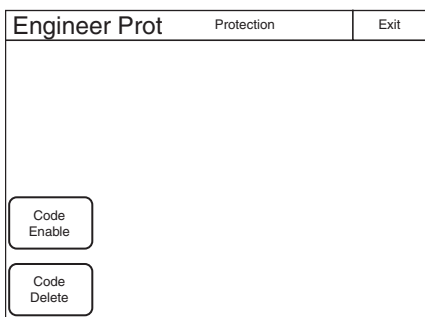


The numeric keypad appears.



- 2 Use the numeric keypad to enter “0359,” and then press **OK**.

The Engineer Protection screen appears.



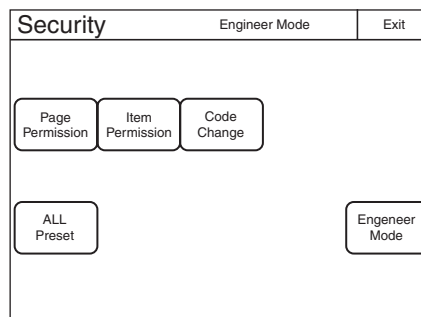
- 3 Press **Code Enable** to light the button. Security code protection is enabled. If you press **Code Delete** here to light the button, a confirmation screen for security code deletion appears. The Engineer Protection screen reappears when you press **OK**.

- 4 Press **Exit**.

To set the security code

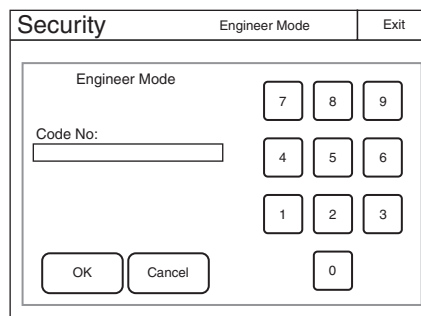
Some of the menus on the control panel are operated in engineer mode. To limit the use of engineer mode to specific operators, preset the security code. After you set the security code, it will need to be entered to switch to engineer mode.

- 1 Enter engineer mode. (page 51)



- 2 Press **Code Change**.

The numeric keypad and new security code (Code No.) input field appear.



- 3 Use the numeric keypad to enter any security code (1 to 8 digits), and then press **OK**.

Note

Each number entered for the security code appears as “*” on the screen.

A security code reentry screen appears.

- 4 Confirm the security code entered in step 3 by reentering it, and press **OK**.

The Security screen reappears.

- 5 Press **Engineer Mode** to cancel engineer mode.

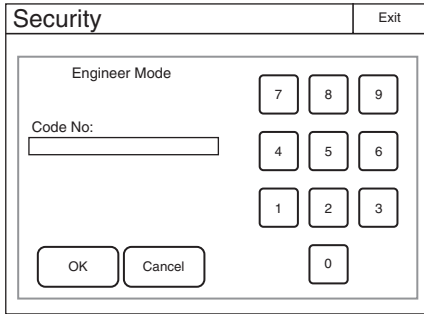
The security code is set, and the numeric keypad will appear whenever you press the **Engineer Mode** button in the Security screen. To enter engineer mode, enter the security code that was set and press the **OK** button.

To change the security code

- 1 Perform steps 1 to 4 of “To enter engineer mode” (page 51) to display the Security screen.

- 2 Press **Engineer Mode**.

The numeric keypad and security code (Code No.) input field appear.



3 Enter the security code, and then press **OK**.

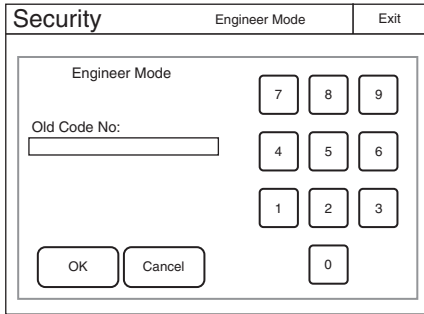
Note

Each number entered for the security code appears as “*” on the screen.

The control panel enters engineer mode, and **Code Change** appears.

4 Press **Code Change**.

The current security code (Old Code No.) input field appears.



5 Enter the security code that you entered in step 3, and then press **OK**.

The new security code (New Code No.) input field appears.

6 Perform steps 3 to 5 of “To set the security code” to set a new security code.

To delete the security code

If you forget the security code or need to disable it to enter engineer mode in an emergency, perform the procedure for “To enable security code protection” (page 40), and perform one of the following in step 3.

- Press **Code Enable** to turn the button light off (security code protection is disabled).
- Press **Code Delete** to light the button (the security code is deleted).

Operation Settings

To set PIX/WF operation

You can set the following operations for PIX/WF output.

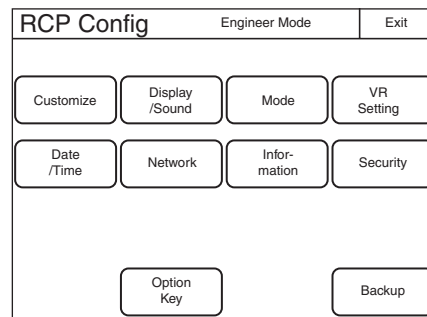
- Whether to link output from the PIX1 OUTPUT and WF1 OUTPUT connectors to RGB switching on the adjustment display (PIX/WF Synchro setting).
- Turn ON/OFF All Mode (PIX/WF/Synchro setting)
- Control mode of the monitor selection buttons (PIX/WF Control Mode setting)
- PIX/WF channel selection

1 Enter engineer mode. (page 51)

2 Press the **MENU** button.

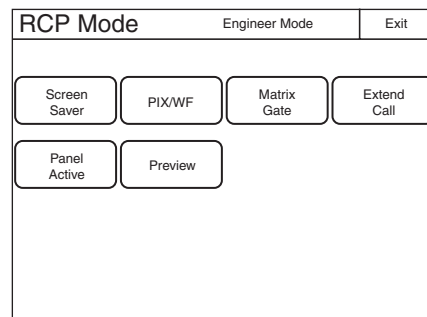
The menu closes and the control panel remains in engineer mode.

3 Display the **RCP Config** screen. (page 50)



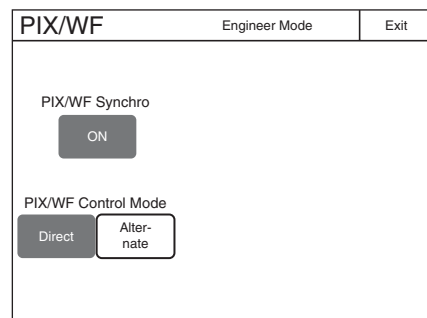
4 Press **Mode**.

The Mode screen appears.



5 Press **PIX/WF**.

The PIX/WF screen appears.



6 Set the PIX/WF operations

The following settings can be configured.

PIX/WF Synchro

Turn ON/OFF linking of output from the PIX2 OUTPUT and WF2 OUTPUT connectors to RGB switching on the adjustment display.

- Press **ON** to light the button and switch to linking of output from the PIX2 OUTPUT and WF2 OUTPUT connectors to RGB switching on the adjustment display when the white shading or black shading is adjusted.
- Set **OFF** to output the signal selected with the PICTURE MONITOR or WAVEFORM MONITOR buttons from the PIX2 OUTPUT and WF2 OUTPUT connectors regardless of the RGB selection in the adjustment screen.

PIX/WF Control Mode

Select the control mode of the monitor selection buttons.

- Press **Direct** to switch to direct mode. When you press any of the R, G, and B buttons of the PICTURE MONITOR and WAVEFORM MONITOR to light it, the button that was pressed previously goes out, and the signal corresponding to the newly pressed button is output. To output the R and G signals, press the G button while holding down the R button.
- Press **Alternate** to switch to alternate mode. When you press any of the R, G, and B buttons of the PICTURE MONITOR and WAVEFORM MONITOR to light it, the signal is output in combination with that of the button that is already lit. To output the R and G signals, press the R button to light it and then press the G button to light it. When the B button is lit, press it so that it goes out.

Customization

To assign functions to assignable buttons

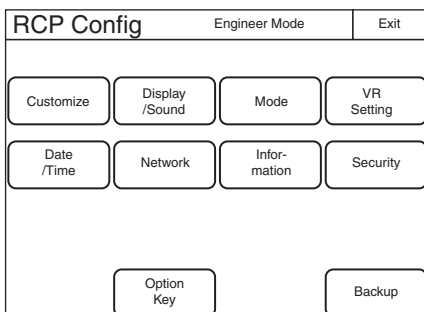
Some of the buttons on the control panel are assignable buttons, and you can assign any function to an assignable button. Assignable buttons can also be assigned as CUSTOM buttons.

1 Enter engineer mode. (page 51)

2 Press the MENU button.

The menu closes and the control panel remains in engineer mode.

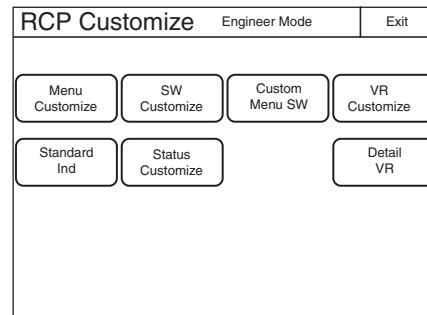
3 Display the RCP Config screen. (page 50)



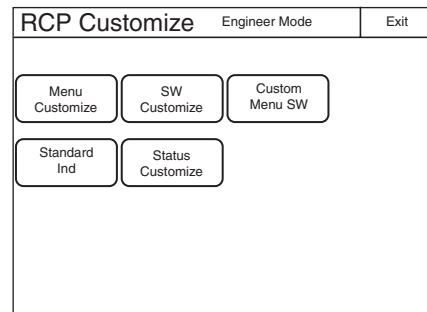
4 Press **Customize**.

The RCP Customize screen appears.

RCP-1500/1501

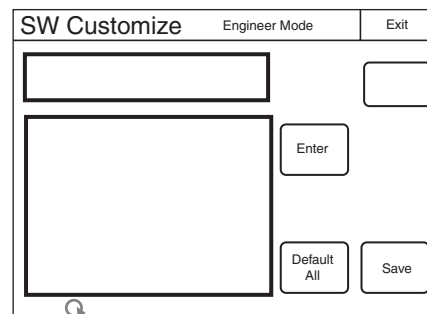


RCP-1530



5 Press **SW Customize**.

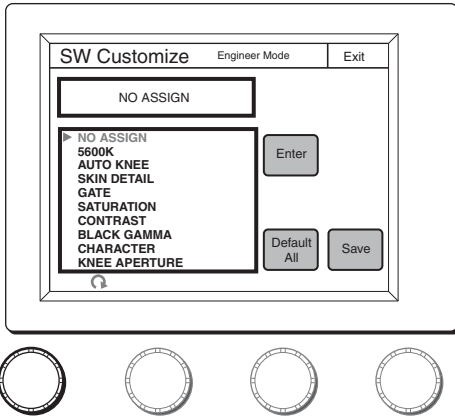
The SW Customize screen appears.



All of the assignable buttons light immediately after this screen is displayed.

6 Press the button for which to change the assigned function.

The function that is currently assigned to the pressed button appears in the SW Customize screen. A list of assignable functions also appears.



7 Turn the adjustment knob on the far left to select the function to assign to the button.

Turning the adjustment knob on the far left moves the cursor (▶) in the list up or down. If you align the cursor with an assignable function, that function name is displayed in amber.

8 Press [Enter].

The function assigned to the button changes to the function that was selected in the previous step. At that time, “*” appears in front of the function name.

9 Repeat steps 6 to 8 if you want to assign functions to multiple buttons.

10 Press [Save].

The confirmation message screen appears.

11 Press [Save].

The function assignments of assignable buttons are saved. If you exit the menu without saving, the function assignments will not be reflected.

To reset the function assignments of assignable buttons to their default settings

1 Press [Default All].

The confirmation message screen appears.

2 Press [OK].

The function assignments of assignable buttons are reset to their default settings.

3 Press [Save].

The confirmation message screen appears.

4 Press [Save].

The function assignments of assignable buttons are saved and registered to the control panel.

To assign functions to assignable adjustment knobs

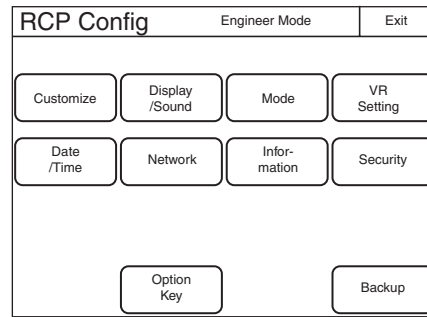
Some of the adjustment knobs on the control panel are assignable adjustment knobs, and you can assign any function to an assignable adjustment knob.

1 Enter engineer mode. (page 51)

2 Press the MENU button.

The menu closes and the control panel remains in engineer mode.

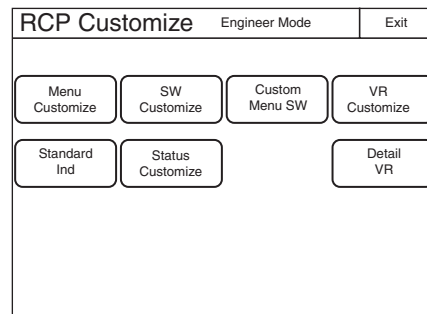
3 Display the RCP Config screen. (page 50)



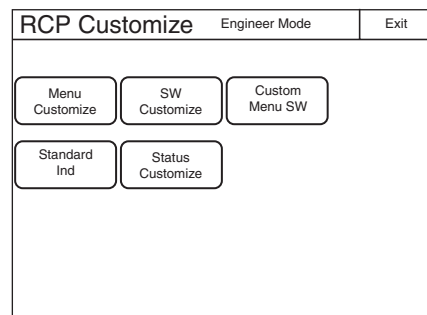
4 Press [Customize].

The RCP Customize screen appears.

RCP-1500/1501

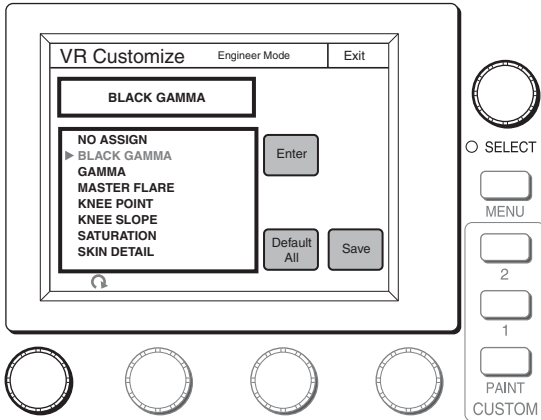


RCP-1530



5 Press [VR Customize].

The VR Customize screen appears.
The function that is currently assigned to the pressed button appears in the VR Customize screen.
A list of assignable functions also appears.



6 Turn the adjustment knob on the far left to select the function to assign to the assignable adjustment knob.

Turning the adjustment knob on the far left moves the cursor (▶) in the list up or down. If you align the cursor with an assignable function, that function name is displayed in amber.

7 Press [Enter].

The function assigned to the button changes to the function that was selected in the previous step. At that time, "*" appears in front of the function name.

8 Press [Save].

The confirmation message screen appears.

9 Press [Save].

The function assignments of assignable adjustment knobs are saved.
If you exit the menu without saving, the function assignments will not be reflected.

To reset the function assignments of assignable adjustment knobs to their default settings

1 Press [Default All].

The confirmation message screen appears.

2 Press [OK].

The function assignments of assignable adjustment knobs are reset to their default settings.

3 Press [Save].

The confirmation message screen appears.

4 Press [Save].

The function assignments of assignable adjustment knobs are saved.
If you exit the menu without saving, the function assignments will not be reflected.

To set the custom paint menu

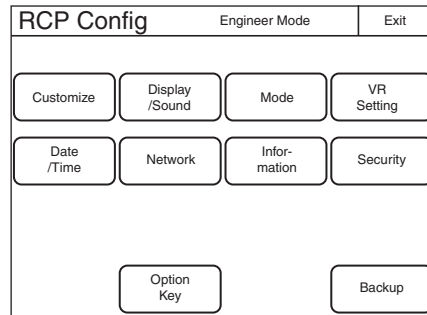
If you register the custom paint menu containing frequently used paint menu items, you can quickly display the necessary paint menu items to configure settings.

1 Enter engineer mode. (page 51)

2 Press the MENU button.

The menu closes and the control panel remains in engineer mode.

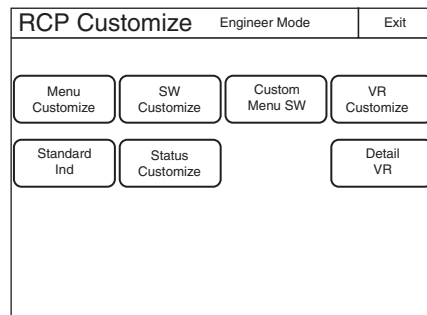
3 Display the RCP Config screen. (page 50)



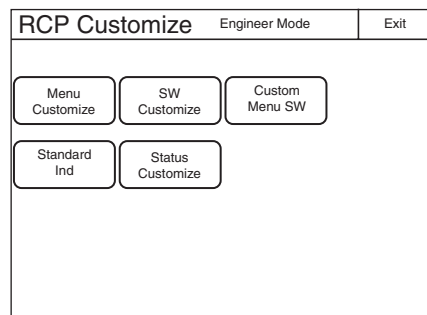
4 Press [Customize].

The RCP Customize screen appears.

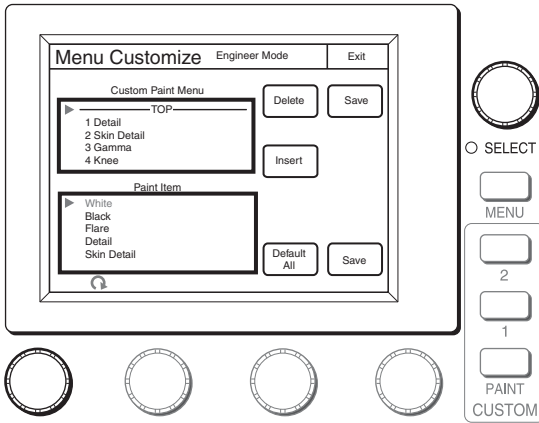
RCP-1500/1501



RCP-1530



- 5 Press [Menu Customize].**
The Menu Customize screen appears.



This screen contains two lists, one at the top and the other at the bottom. The top list displays the custom paint menu items. The bottom list displays the paint menu items that can be added to the custom paint menu. You can edit the custom paint menu by selecting paint menu items in the bottom list and adding them to the top list.

To add a paint menu item to the custom paint menu

- 1 Turn the adjustment knob on the far left to select the paint menu item to add to the custom paint menu from the bottom list.**

Turning the paint adjustment knob on the far left moves the cursor (▶) in the bottom list up or down. If you align the cursor with the paint menu item to add to the custom paint menu, that paint menu item is displayed in amber.

- 2 Turn the SELECT knob to specify the position to insert the paint menu item in the top list.**

Turning the SELECT knob moves the cursor (▶) in the top list up or down. Align the cursor with the item above the position to insert the paint menu item. The paint menu item at the cursor position is displayed in amber.

- 3 Press [Insert].**

The paint menu item selected in the bottom list is added below the item at the cursor position in the top list.

- 4 Repeat steps 1 to 3 if you want to add multiple paint menu items.**

- 5 Press [Line] to insert a separator line between items in the custom paint menu if necessary.**

The separator line is inserted below the item at the cursor position in the top list.

- 6 Press [Save].**

The confirmation message screen appears.

- 7 Press [Save].**

The contents of the custom paint menu are saved and registered to the control panel.

To delete a paint menu item from the custom paint menu

- 1 Turn the SELECT knob to select the paint menu item to delete in the top list.**

- 2 Press [Delete].**

The selected paint menu item is deleted from the top list.

- 3 Select the paint menu item above a separator line and then press [Line] when you want to delete a separator line.**

- 4 Press [Save].**

The confirmation message screen appears.

- 5 Press [Save].**

The contents of the custom paint menu are saved and registered to the control panel.

To reset the custom paint menu to the default settings

- 1 Press [Default All].**

The confirmation message screen appears.

- 2 Press [OK].**

The contents of the custom paint menu are reset to the default settings.

- 3 Press [Save].**

The confirmation message screen appears.

- 4 Press [Save].**

The contents of the custom paint menu are saved and registered to the control panel.

To assign menus to custom buttons

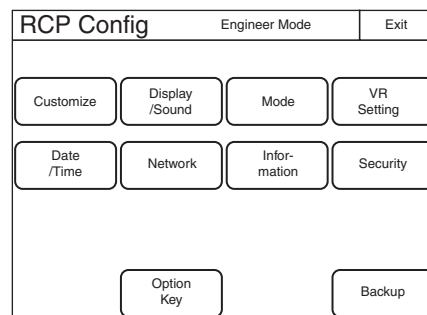
You can assign any menu to a custom button on the control panel. A menu can also be assigned to an assignable button that has been assigned as a custom button.

- 1 Enter engineer mode. (page 51)**

- 2 Press the MENU button.**

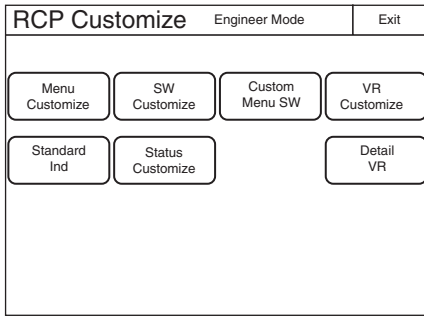
The menu closes and the control panel remains in engineer mode.

- 3 Display the RCP Config screen. (page 50)**

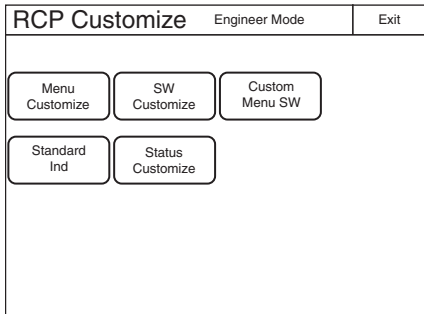


- 4** Press **[Customize]**.
The RCP Customize screen appears.

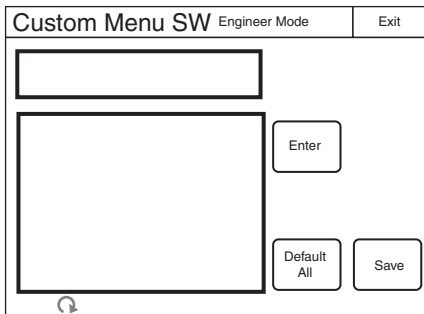
RCP-1500/1501



RCP-1530



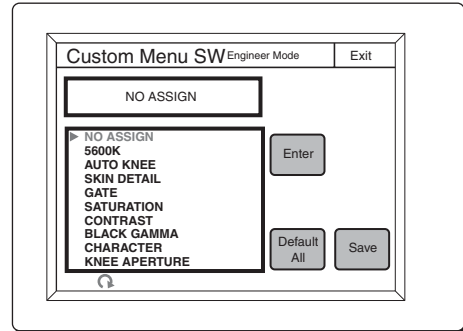
- 5** Press **[Custom Menu SW]**.
The Custom Menu SW screen appears.



All of the custom buttons light immediately after this screen is displayed.

- 6** Press the button for which to change the assigned function.

The function that is currently assigned to the pressed button appears in the Custom Menu SW screen. A list of assignable functions also appears.



- 7** Turn the adjustment knob on the far left to select the function to assign to the button.

Turning the adjustment knob on the far left moves the cursor (▶) in the list up or down. If you align the cursor with an assignable function, that function name is displayed in amber.

- 8** Press **[Enter]**.

The function assigned to the button changes to the function that was selected in the previous step. At that time, "*" appears in front of the function name.

- 9** Repeat steps 6 to 8 if you want to assign functions to multiple buttons.

- 10** Press **[Save]**.

The confirmation message screen appears.

- 11** Press **[Save]**.

The function assignments of custom buttons are saved. If you exit the menu without saving, the function assignments will not be reflected.

Note

When you assign one of the following menus from the paint menu to a custom button, the same menu must also be registered in the custom paint menu. If you assign the menu to a custom button without registering it in the custom paint menu, pressing the custom button will not access the assigned menu.

- Skin Detail
- Gain
- Gamma
- Black Gamma
- Knee
- Shutter
- Saturation
- Flicker Reduction
- White
- Black
- Flare
- Detail

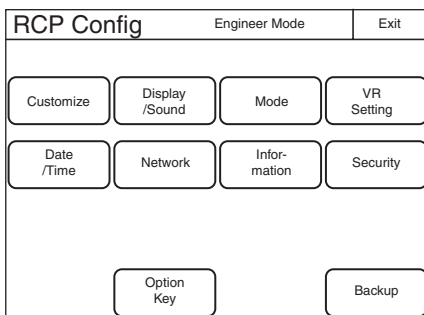
- Matrix
- V Mod Saw
- White Clip
- Auto Iris
- Mono Color
- Noise Suppression
- Gamma/Knee
- Low Key Saturation
- Knee Saturation
- Gamma Table
- 3D Monitor

Saving and Initializing Settings

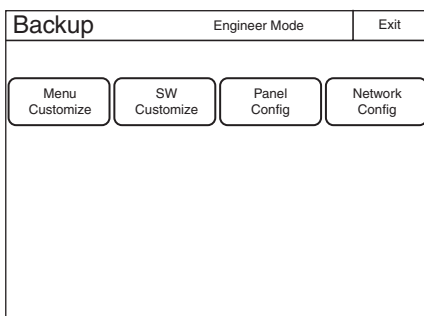
To save changed setting values to a “Memory Stick Duo”

You can save the changed setting values of reference files and scene files to a “Memory Stick Duo.” You can use these files when necessary by reading them from the “Memory Stick Duo.”

- 1 Insert a “Memory Stick Duo” into the “Memory Stick Duo” slot. (page 82)
- 2 Enter engineer mode. (page 51)
- 3 Press the MENU button.
The menu closes and the control panel remains in engineer mode.
- 4 Display the RCP Config screen.



- 5 Press **Backup**.
The Backup screen appears.

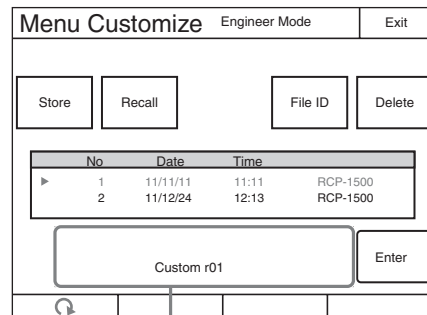


- 6 Select the settings to save.
 - Menu Customize**: Status screen customizing, custom paint menu settings
 - SW/VR Customize**: Assignable button, custom button, and assignable adjustment knob settings
 - Network Config**: Network settings
 - Panel Config**: RCP configuration menu settings other than the above

Note

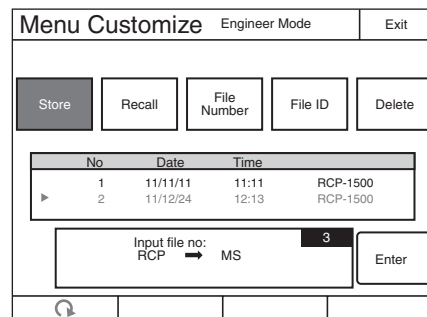
When selecting a Network Config file saved to the same model unit but with the different serial number, other than this unit, the model information on the file displayed on a message area is shown in red. It is possible to read such a file, but confirm that the IP address does not conflict with an IP address of another unit.

Example: When Menu Customize is selected.

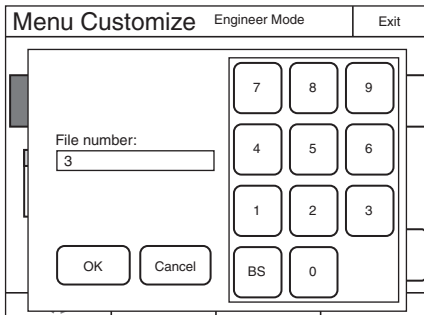


Message area: Displays file operation information or File ID.

- 7 Press **Store**.
The screen changes as follows.

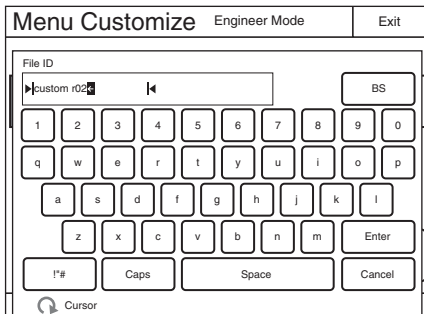


- 8** Press **File Number** or use the leftmost adjustment knob to select the file number, and press **Enter**.
When **File Number** is pressed, the file number entry screen appears as follows. Enter the file number, and then press **OK** to confirm. If you select the same number as that of a file displayed in the list, the data is overwritten.



- 9** Confirm the file number, and press **Enter**.
The settings are saved to the “Memory Stick Duo.”

- 10** Press **File ID** to set or change the File ID in the file.
When software keyboard is displayed, enter a File ID, and press **Enter** to set the File ID.



To read settings saved to a “Memory Stick Duo.”

Perform the procedure of “To save changed setting values to a “Memory Stick Duo” (page 48)” up to step 5, and then press **Recall** in step 6. The subsequent operation is the same.

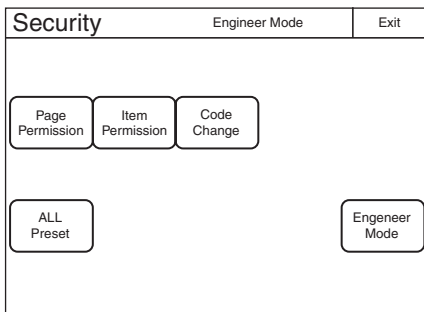
To delete settings saved to a “Memory Stick Duo.”

Perform the procedure of “To save changed setting values to a “Memory Stick Duo” (page 48)” up to step 5, and then press **Delete** in step 6. The subsequent operation is the same.

To initialize the settings

You can reset all of the RCP configuration menu settings to their default settings.

- 1** Enter engineer mode. (page 51)



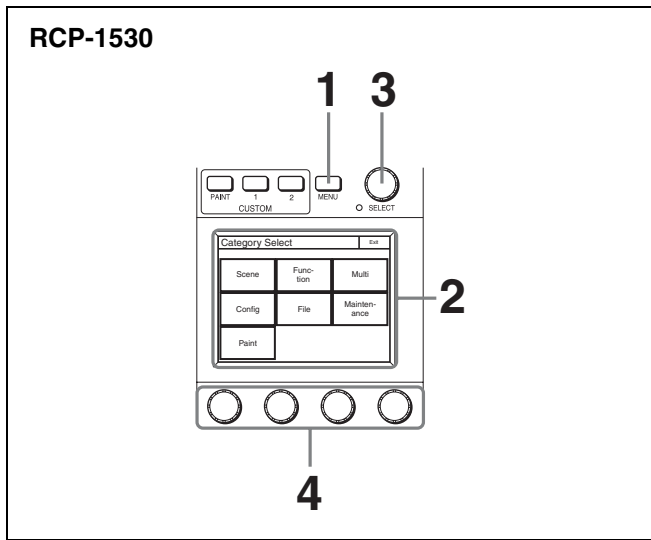
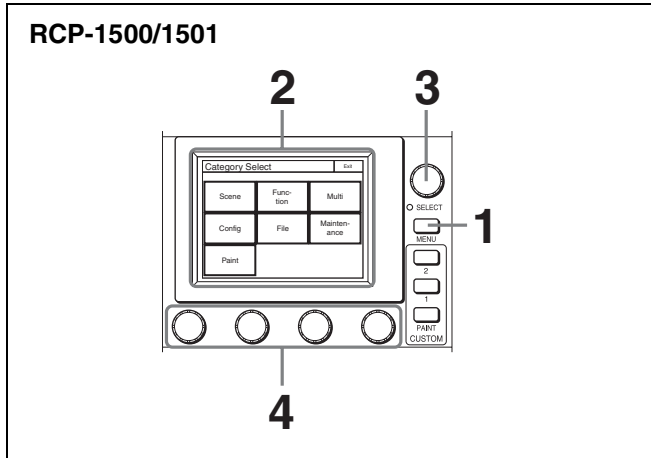
- 2** Press **All Preset**.
The confirmation message appears.

- 3** Press **OK**.
The RCP configuration menu settings are all reset to their default settings.

Menus

Menu Operations

You can use various operation menus to adjust system devices and perform other operations with the control panel.



- 1 Press the MENU button.**
The Category Select screen appears.

Category Select			Exit
Scene	Func-tion	Multi	
Config	File	Mainten-ance	
Paint			

- 2 Press a button on the Category Select screen to select a menu.**

[Scene] : Scene Menu (page 81)

[Function] : Function Menu (page 80)

[Multi] : Multi Menu (page 80)

[Config] : Config Menu (page 72)

The following menu items are added when the control panel is in engineer mode or Full Paint of Page Permission is set to ON.

[File] : File Menu (page 64)

[Maintenance] : Maintenance Menu (page 65)

[Paint] : Paint Menu (page 54)

When you select a menu, the corresponding setting and adjustment screen for the menu appears.

- 3 Select the item to operate.**

- For a menu (Paint menu, etc.) consisting of multiple pages, turn the SELECT knob to select an item and then press the SELECT knob to display the setting and adjustment screen for that item. Turning the SELECT knob after the setting and adjustment screen is displayed allows you to switch to another item.
- When tabs are displayed in the setting and adjustment screen, press a tab to switch to the setting item.

- 4 Set or adjust the item.**

- Turn the adjustment knob (or press the button) in accordance with the setting and adjustment item (parameter) to adjust the setting value (select a setting).
- When a message screen appears, perform the operation in accordance with the message, and then press **[OK]**.

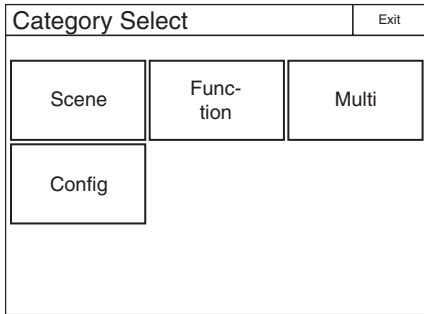
When the setting or adjustment is finished

- To adjust another item of the same menu, turn the SELECT knob to switch to the setting and adjustment screen for that item.
- To adjust a different menu, press **[Exit]** to return to the Category Select screen, and then select another menu.
- To close the menu, press **[Exit]** in the Category Select screen.

To display the RCP screen

When setting the control panel, use the following procedure to display the RCP screen.

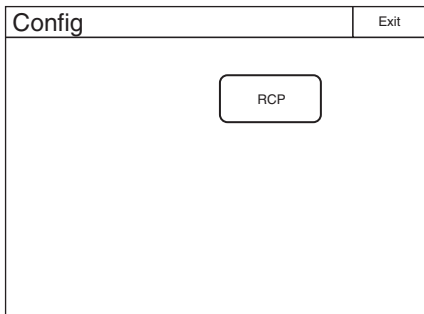
- 1 Press the MENU button.
The Category Select screen appears.



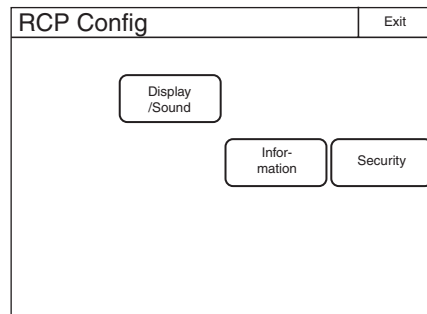
- 2 Press [Config].
The Config screen appears.



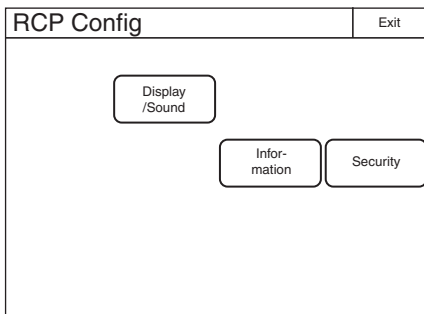
- 2 Press [Config].
The Config screen appears.



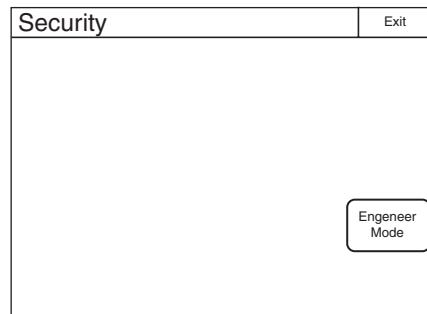
- 3 Press [RCP].
The RCP screen appears.



- 3 Press [RCP].
The RCP screen appears.



- 4 Press [Security].
The Security screen appears.

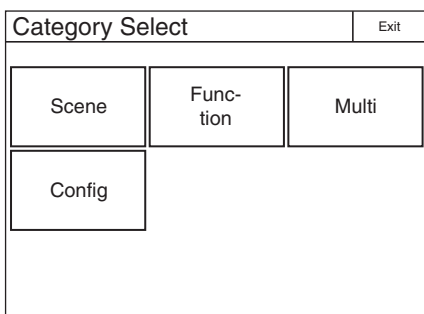


To enter engineer mode

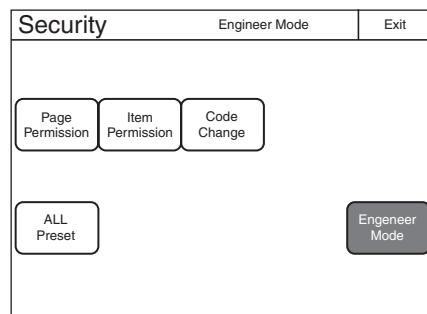
Some settings of the control panel have their functions restricted and are not displayed to prevent unintentional operation. When you enter engineer mode, the restrictions are cancelled.

Use the following procedure to enter engineer mode.

- 1 Press the MENU button.
The Category Select screen appears.



- 5 Press [Engineer Mode] to light the button.
The items that were hidden appear.



Note

If a security code has been configured (page 41), a security code entry screen will appear when you press [Engineer Mode]. Enter the correct security code and press [OK] to enter engineer mode.

Menu Tree

Paint

- White
 - RGB
 - Color Temp
- Black
- Flare
- Detail
 - 1/3
 - 2/3
 - 3/3
- Skin DTL
 - Skin DTL 1
 - Skin DTL 2
 - Skin DTL 3
 - Y Limit
- Matrix
 - User 1/2
 - User 2/2
 - Multi
 - Preset
- Gain
- Gamma
 - Gamma
 - Step
- Black Gamma
- Knee
 - Knee Point
 - Knee Slope
 - Auto Knee
- Shutter
 - Shutter
 - FPS
- Saturation
- V Mod Saw
- White Clip
- Auto Iris
- Mono Color
- Noise Suppression
- Flicker Reduction
- Gamma/Knee
- Low Key Saturation
- Knee Saturation

- Gamma Table
 - Standard
 - Hyper
 - Special
 - User
- Cross Color Suppression

File

- Reference
 - Ref Store
 - Ref Transfer
 - Adjusting
- Scene
 - Store/Recall
 - Scene Transfer
 - Adjusting
- Lens
 - Lens Store
 - Lens Select
 - Auto White
 - Adjusting
- OHB
 - OHB Store
 - Auto W Shading
 - Auto B Shading
 - Auto White
 - Auto Black
 - Adjusting
- Custom Matrix
 - Store
 - Transfer
 - Adjusting
- User Gamma
 - User Gam Transfer
 - Adjusting
- Memory Stick
 - Format

Maintenance

- Camera
 - Black Shading
 - R
 - G
 - B
 - White Shading
 - R
 - G
 - B
 - White
 - Black Set
 - Black Set
 - Black
 - OHB Matrix
 - User 1/2
 - User 2/2
 - Multi
 - ATW Setting
 - Microphone Gain
- Lens
 - Auto Iris Settings
 - Flare
 - V Mod Saw
 - ALAC
- CCU
 - Phase
 - H
 - SC
 - Monitor Output
 - 3D Monitor
 - Select
 - Mode
 - CAM Ctrl
- SD Adj
 - SD Detail
 - 1/3
 - 2/3
 - 3/3

- SD Gamma
- SD Matrix
 - User 1/2
 - User 2/2
 - Multi
 - Preset
- Interporation
- Cross Color Reduction
- Aspect
- RPN
- Auto Setup

Config

- Camera
 - Mode
 - CAM Menu Control
- CCU
 - Mode
 - Return Setting
 - Channel ID
 - CCU Menu Control
 - HDFX
 - IF Select
- RCP
 - Customize
 - Menu Customize
 - SW Customize
 - Custom Menu SW
 - VR Customize (RCP-1500/1501 only)
 - Standard Ind
 - Status Customize
 - Detail VR (RCP-1500/1501 only)
 - Display/Sound
 - Sound
 - Call
 - Touch
 - SW
 - RE
 - LED
 - LCD
 - EL
 - Touch Panel

- Mode
 - Screen Saver
 - PIX/VF
 - Matrix Gate
 - Extend Call
 - Panel Active
 - Preview
- VR Setting
 - White/Blk/Flr
 - Detail/Assign
 - Iris/M.Black
- Date/Time
 - Date
 - Time
 - Time Zone
- Network
 - Network Info
 - CNS
 - LAN I/F
 - TCP/IP
- Information
 - Version
 - Network Info
 - Option Info
- Security
 - Page Permission
 - Item Permission
 - ALL Preset
 - Engineer Mode
- Option Key
- Backup
 - Menu Customize
 - SW/VR Customize
 - Panel Config
 - Network Config
- RCP Assignment
- Multi Format
- BPU Multi Format

- 3D System
 - 3D Mode
 - Channel ID
 - 3D CAM Control

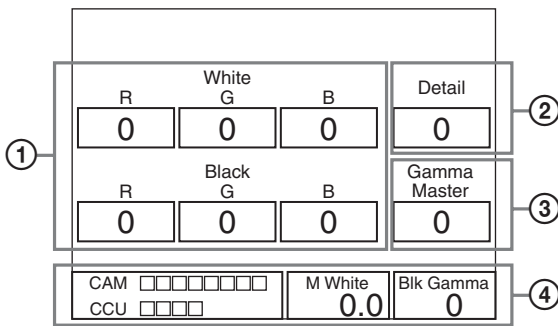
Multi

Function

- Optical Level
- PIX/WF

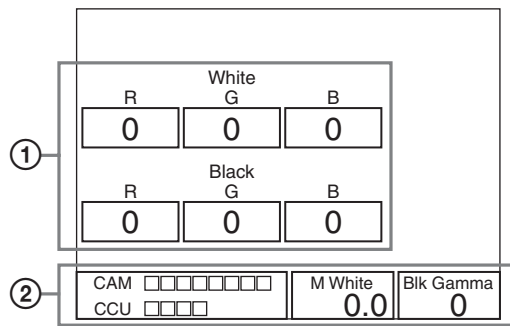
Status Screen

Status screen of RCP-1500/1501



- ① Displays the value adjusted with the white balance/black balance adjustment block of the control panel. When the FLARE button is lit, the FLARE adjustment value is displayed.
- ② Displays the value adjusted with the DETAIL knob.
- ③ Displays the adjustment item name and the value adjusted with the assignable adjustment knob.
- ④ If you make Customize settings, the value adjusted with the function assigned to the adjustment knobs and Optical level will be displayed. They are not displayed under the default settings.

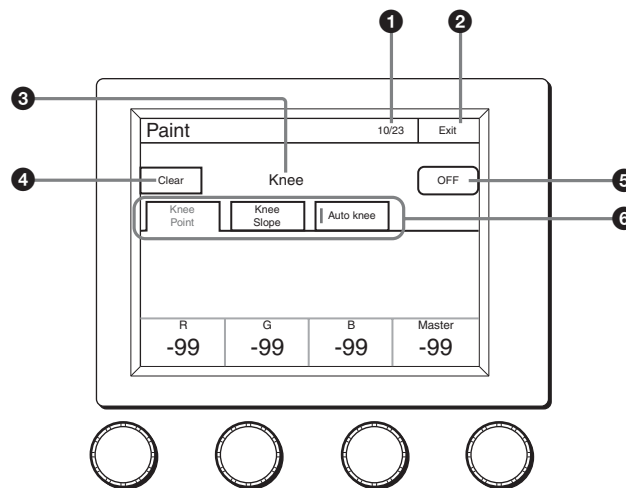
Status screen of RCP-1530



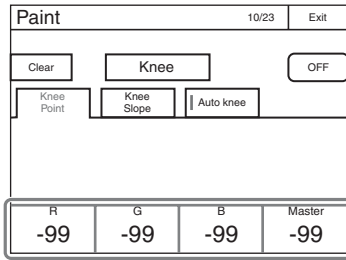
- ① Displays the value adjusted with the white balance/black balance adjustment block of the control panel. When the FLARE button is lit, the FLARE adjustment value is displayed.
- ② If you make Customize settings, the value adjusted with the function assigned to the adjustment knobs and Optical level will be displayed. They are not displayed under the default settings.

Paint Menu

Screen display example (when "Knee" is selected in the Paint menu)



- ① This indicates the page number/total number of pages. When this indication is displayed, you can turn the SELECT knob to change the page.
- ② Press this to return to the previous menu screen.
- ③ Displays the names of functions that are selected.
- ④ Press this to light the button in red and display a red frame around items that can be cleared.



Items that can be cleared are indicated by a red frame

You can press items with a red frame around them to clear their values one by one. If you press **3**, the values for all of the items with a red frame around them will be cleared. To cancel clearing items, press **Clear** again.

- 5** Press this to turn OFF all of the functions displayed in **3**.
- 6** Press a tab to switch to the setting items. Indicators are displayed for the individual setting items of each tab to indicate whether or not a setting is ON or OFF (an indicator lights when the setting item is ON).

Menu items

The mark in the “Control Item” column indicates an item that is assigned to a paint adjustment knob.

Paint menu		Switch	Control item	Description	
Menu	Submenu				
White				Corrects the color reproduction of the camera to match the color temperature of the light source shining on the subject.	
	RGB		R/G/B	Changes the sensitivity of each primary color (R, G, and B) and corrects the color temperature.	
		ATW		This is the Auto Tracing White Balance. It continually corrects the white balance to match the screen during shooting. An error may be generated depending on the pattern.	
		AWB		This is the Auto White Balance. Pressing this button during the shooting of a white subject automatically corrects the color temperature so that the white parts of the subject become white.	
	Color Temp		Color Temp	Corrects the color temperature in accordance with the spectrum of black body radiation of the color space. (R and B are corrected in the opposite direction.)	
			Balance	Corrects the balance so that it intersects the color temperature in the color space. (R and B are corrected in the same direction.)	
		ATW		This is the Auto Tracing White Balance. It continually corrects the white balance to match the screen during shooting. An error may be generated depending on the pattern.	
		AWB		This is the Auto White Balance. Pressing this button during the shooting of a white subject automatically corrects the color temperature so that the white parts of the subject become white.	
	Black				Adjusts the black level of images for when the lens is closed.
				R/G/B	Adjusts the black level of each of R, G, and B.
			Master	Links R, G, and B and adjusts them simultaneously.	
ABB			This is the Auto Black Balance. It automatically adjusts the R black and B black so that no color is added to black when the lens is closed. Depending on the model of camera, Black Set is also automatically adjusted at the same time. When this is executed, the lens is temporarily closed.		
Flare				Corrects the phenomenon of black in the subject becoming bright and color being added due to the influence of the optical system. Adjusting this in the plus direction reduces the black level of the corresponding color in accordance with the brightness of the subject. Be careful not to overcorrect this.	
		OFF		Disables the flare correction function.	
			R/G/B	Adjusts the correction level of each of R, G, and B.	
			Master	Links R, G, and B and adjusts them simultaneously.	

Paint menu		Switch	Control item	Description
Menu	Submenu			
Detail				Corrects the contour.
		OFF		Disables the detail function.
	1/3			This is the first page of detail adjustment.
		HD Adjust		ON: Performs detail adjustment for HD output (down converted) of BPU. OFF or not displayed: Performs the conventional detail adjustment.
			Level	Adjusts the contour correction level. Adjusting this in the plus direction makes pictures sharp, and adjusting this in the minus direction makes pictures soft. For cameras with an electronic software focus function, this enables softer pictures than when in the DTL OFF state.
			Limiter	Makes adjustments so that contour correction is not greater than a set level to prevent overcorrection by strong contour correction when shooting subjects with large luminance differences. Adjusting this in the plus direction also enables clipping of objects with small luminance differences.
			Crisp	Makes adjustments so that signals with small luminance differences are considered to be noise and correction is not applied to them in order to reduce the emphasizing of also the contours of noise by the contour correction function. Adjusting this in the plus direction results in luminance differences for which contour correction is not performed becoming large and improvements in S/N sensitivity, but resolution sensitivity deteriorates.
			Level Dep	Contour correction is not applied to the dark parts and S/N sensitivity is increased in order to reduce the emphasizing of also the contours of noise by the contour correction function. Adjusting this in the plus direction results in contour correction not being applied up to a brighter level.
		Level Dep Off		Disables the Level Dep function.
	2/3			This is the second page of detail adjustment.
		HD Adjust		ON: Performs detail adjustment for HD output (down converted) of BPU. OFF or not displayed: Performs the conventional detail adjustment.
			H/V Ratio	Adjusts the horizontal and vertical ratio of contour correction.
			Frequency	Adjusts the center frequency of contour correction.
			Mix Ratio	With a type of camera that creates a contour correction signal from gamma, adjusts the ratio for adding that correction signal before and after the gamma.
			Detail Comb	Reduces cross color noise by applying the comb filter to contour correction signals. Adjusting this in the plus direction reduces cross color noise, but resolution sensitivity deteriorates. This can only be used when an SD camera is connected.
	3/3			This is the third page of detail adjustment.
		HD Adjust		ON: Performs detail adjustment for HD output (down converted) of BPU. OFF or not displayed: Performs the conventional detail adjustment.
			W Limiter	This is the limiter correction for detail signals added in the white direction.
			B Limiter	This is the limiter correction for detail signals added in the black direction.
			Fine DTL	Attenuates the contour correction signal. Adjusting this in the plus direction attenuates the signal. This can only be used when an SD camera is connected.
		Fine DTL		Enables the Fine DTL function. This can only be used when an SD camera is connected.
			Knee Apt	Adjusts the resolution sensitivity of high-luminance parts for which knee is applied.
		Knee Apt		Enables the Knee Apt function.

Paint menu		Switch	Control item	Description
Menu	Submenu			
Skin DTL				Allows adjustment of the contour correction level of the set color area. For example, allows you to make the faces of people appear shiny.
		ON		Enables the Skin DTL function. Allows up to three channels to be adjusted separately. This switch enables the Skin DTL function to be turned ON/OFF simultaneously in accordance with the setting of each channel.
	Skin DTL 1			Sets the first channel of Skin DTL. When this channel is enabled, the ON mark appears on the very left of the tab.
			Skin DTL 1	Enables Skin DTL of this channel. Skin DTL cannot be disabled for models with three channels.
			Level	This is the contour correction value within the color area that is set with Phase or Width. Adjusting this in the plus direction makes pictures sharp, and adjusting this in the minus direction makes pictures soft. For cameras with an electronic software focus function, this enables softer pictures than when in the DTL OFF state.
			Phase	Adjusts the center of the hues of the effective color area of Skin DTL. The value is almost equivalent to the phase on a vector scope.
			Width	Sets a range centered on the phase. The value indicates an angle.
			Saturation	Disables Skin DTL for places with a small degree of color saturation. Adjusting this in the minus direction also allows Skin DTL to be enabled for places with less saturation.
			Auto Hue 1	This is a function for automatically searching for a hue. Capture the subject you want to measure in the center of the screen and execute the function. The phase of this channel is adjusted automatically.
			Gate 1	Adds a gate signal to the range of this channel for which Skin DTL is effective. For the output connector for which the signal can be added, refer to the manual of the corresponding device.
			Natural Skin DTL	Enables the Natural Skin DTL function. This can be common to control the three channels.
			Zoom Link	Enables the function that changes the correction amount for Skin DTL in response to the zoom value of the camera.
	Skin DTL 2			Sets the second channel of Skin DTL.
			Skin DTL 2	Enables Skin DTL of this channel. When this channel is enabled, the ON mark appears on the very left of the tab.
			Level	This is the contour correction value within the color area that is set with Phase or Width. Adjusting this in the plus direction makes pictures sharp, and adjusting this in the minus direction makes pictures soft. For cameras with an electronic software focus function, this enables softer pictures than when in the DTL OFF state.
			Phase	Adjusts the center of the hues of the effective color area of Skin DTL. The value is almost equivalent to the phase on a vector scope.
			Width	Sets a range centered on the phase. The value indicates an angle.
			Saturation	Disables Skin DTL for places with a small degree of color saturation. Adjusting this in the minus direction also allows Skin DTL to be enabled for places with less saturation.
			Auto Hue 2	This is a function for automatically searching for a hue. Capture the subject you want to measure in the center of the screen and execute the function. The phase of this channel is adjusted automatically.
			Gate 2	Adds a gate signal to the range of this channel for which Skin DTL is effective. For the output connector for which the signal can be added, refer to the manual of the corresponding device.
			Natural Skin DTL	Enables the Natural Skin DTL function. This can be common to control the three channels.
			Zoom Link	Enables the function that changes the correction amount for Skin DTL in response to the zoom value of the camera.

Paint menu		Switch	Control item	Description
Menu	Submenu			
	Skin DTL 3			Sets the third channel of Skin DTL.
		Skin DTL 3		Enables Skin DTL of this channel. When this channel is enabled, the ON mark appears on the very left of the tab.
			Level	This is the contour correction value within the color area that is set with Phase or Width. Adjusting this in the plus direction makes pictures sharp, and adjusting this in the minus direction makes pictures soft. For cameras with an electronic software focus function, this enables softer pictures than when in the DTL OFF state.
			Phase	Adjusts the center of the hues of the effective color area of Skin DTL. The value is almost equivalent to the phase on a vector scope.
			Width	Sets a range centered on the phase. The value indicates an angle.
			Saturation	Disables Skin DTL for places with a small degree of color saturation. Adjusting this in the minus direction also allows Skin DTL to be enabled for places with less saturation.
		Auto Hue 3		This is a function for automatically searching for a hue. Capture the subject you want to measure in the center of the screen and execute the function. The phase of this channel is adjusted automatically.
		Gate 3		Adds a gate signal to the range of this channel for which Skin DTL is effective. For the output connector for which the signal can be added, refer to the manual of the corresponding device.
		Natural Skin DTL		Enables the Natural Skin DTL function. This can be common to control the three channels.
		Zoom Link		Enables the function that changes the correction amount for Skin DTL in response to the zoom value of the camera.
	Y Limit		Disables Skin DTL for low-luminance. Sets the maximum for the Y level to disable.	
			Y Limit1	Sets the maximum for the Y level in the first channel of Skin DTL.
			Y Limit2	Sets the maximum for the Y level in the second channel of Skin DTL.
			Y Limit3	Sets the maximum for the Y level in the third channel of Skin DTL.
Matrix			OFF	Corrects the color reproduction without changing the white balance.
	User 1/2			Enables the matrix function. This switch enables the function to be turned ON/OFF simultaneously in accordance with individual matrix settings.
	User Matrix			Sets the matrix correction factor individually. This is the first page of the settings. When User Matrix is enabled, the ON mark appears on the very left of the tab.
			User Matrix	Enables the User Matrix function.
			R-G	Corrects the signal of the R channel in accordance with the difference between the signals of the R channel and G channel.
			G-B	Corrects the signal of the G channel in accordance with the difference between the signals of the G channel and B channel.
			B-R	Corrects the signal of the B channel in accordance with the difference between the signals of the B channel and R channel.
	Adaptive Matrix			Enables the Adaptive Matrix function. This can be common to control all the matrix functions.
	User 2/2			Sets the matrix correction factor individually. This is the second page of the settings. When User Matrix is enabled, the ON mark appears on the very left of the 1/2 tab.
	User Matrix			Enables the User Matrix function. This is the same switch as 1/2.
			R-B	Corrects the signal of the R channel in accordance with the difference between the signals of the R channel and B channel.
			G-R	Corrects the signal of the G channel in accordance with the difference between the signals of the G channel and R channel.
			B-G	Corrects the signal of the B channel in accordance with the difference between the signals of the B channel and G channel.
	Adaptive Matrix			Enables the Adaptive Matrix function. This can be common to control all the matrix functions.

Paint menu		Switch	Control item	Description
Menu	Submenu			
	Multi			Changes color reproduction for each hue divided into 16. When Multi Matrix is enabled, the ON mark appears on the very left of the tab.
		Multi Matrix		Enables the Multi Matrix function.
			Phase	Selects the hue to adjust.
			Hue	Changes the hue of colors within the hue range selected with Phase.
			Saturation	Changes the saturation of colors within the hue range selected with Phase.
		Adaptive Matrix		Enables the Adaptive Matrix function. This can be common to control all the matrix functions.
		Gate		Adds a gate signal to an image within the hue range selected with Phase. For the output connector for which the signal can be added, see the manual of the corresponding device.
	All Clear		Returns the factors of all ranges of Multi Matrix to their initial states.	
	Preset			Selects the matrix provided for the camera in advance. When Preset Matrix is enabled, the ON mark appears on the very left of the tab.
		Preset Matrix		Enables Preset Matrix.
			Preset	Selects the matrix provided for the camera in advance.
		Adaptive Matrix		Enables the Adaptive Matrix function. This can be common to control all the matrix functions.
			Level	Adjusts the effective condition of the Adaptive Matrix function.
Gain			Sets is the sensitivity of the camera. The sensitivity of the camera is determined by the sum of the master gain and the master white gain.	
		Step	Changes the sensitivity of the camera in steps.	
		M White	Changes the sensitivity of the camera continuously.	
Gamma			Corrects the photoelectric conversion characteristic of the image pickup device to the luminance characteristic of the display.	
	OFF		Disables the gamma correction function.	
	Gamma	R/G/B	Adjusts the correction level of each of R, G, and B.	
		Master	Links R, G, and B and adjusts them simultaneously.	
	Step	Step Gamma	Changes correction in steps.	
Black Gamma			Adjusts gamma correction of the screen dark sections.	
	ON		Enables the black gamma function.	
	Range		Selects the range for which black gamma is effective. Select from Low Range, L.Mid Range, H.Mid Range, and High Range.	
		R/G/B	Adjusts the correction level of each of R, G, and B.	
		Master	Links R, G, and B and adjusts them simultaneously.	
Knee			Compresses the bright parts of the screen to enable expressions within the signal standard. This enables you to obtain pictures that have a high dynamic range.	
	OFF		Disables knee correction. Auto Knee is also disabled.	
	Knee Point			Compresses the bright parts and adjusts the start level.
			R/G/B	Adjusts the level of each of R, G, and B.
			Master	Links R, G, and B and adjusts them simultaneously.
	Knee Max		Applies clipping at the point that knee correction is applied to make adjusting the knee point easy. This can only be set when in engineer mode or when Knee Max Enable is enabled.	
	Knee Slope			Adjusts the ratio for compressing images.
			R/G/B	Adjusts the compression level of each of R, G, and B.
		Master	Links R, G, and B and adjusts them simultaneously.	

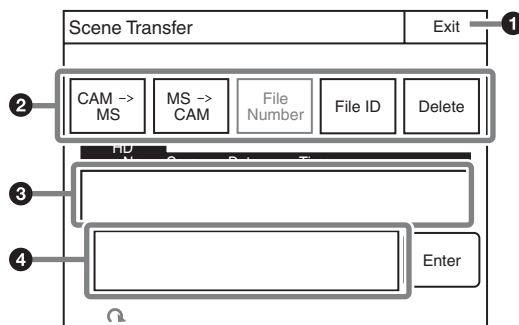
Paint menu		Switch	Control item	Description	
Menu	Submenu				
	Auto Knee			Automatically adjusts the knee factor in accordance with the captured image signal.	
		ON		Enables the auto knee function. The settings configured for Knee Point/Slope are ignored. When auto knee is enabled, the ON mark appears on the very left of the tab.	
		Adaptive		Divides the area with knee applied in the level direction, and sets the optimal slope for each part.	
			Point Limit	Sets the lower limit for the knee point automatically adjusted by auto knee. This results in low level images not being influenced by auto knee.	
			Auto Slope	Sets the knee slope of auto knee.	
Shutter	Shutter			Controls the exposure time of the image pickup device.	
				Selects and sets the shutter mode.	
		Slow Shutter	Slow Shutter	Shoots with the frequency from the frame frequency of the capture image format (unit: number of frames).	
		Shutter	Shutter	Controls the exposure time in steps. Display is 1/x seconds.	
		Angle		Displays the shutter speed as an angle value.	
		ECS	ECS	This is the Extended Clear Scan. It finely controls the exposure time (unit: Hz).	
		S-EVS	S-EVS	This is the Super Enhanced Vertical Definition System. It controls the vertical definition.	
				FPS	This function is for overcrank and undercrank shooting.
				Shutter ON	Enables the shutter function.
				Angle	Displays the shutter speed as an angle value.
				Select FPS	Performs overcrank and undercrank shooting.
				Step/ continuous	Sets the shutter speed.
				Comp	Corrects the change in the image level for when the FPS is changed. OFF : Disables the correction function. Angle : Automatically controls the shutter in conjunction with the FPS and maintains the output level. Gain : Automatically controls the electronic gain in conjunction with the FPS and maintains the output level.
				FPS	Sets the number of frames to capture.
Saturation				Adjusts the saturation of images. The luminance is not changed.	
		ON		Enables the saturation function.	
			Saturation	Adjusts the saturation.	
V Mod Saw				Corrects color shading in the vertical direction caused by the lens or optical system.	
		OFF		Disables the V Modulation Saw correction function.	
			R/G/B	Adjusts the correction level of each of R, G, and B.	
			Master	Links R, G, and B and adjusts them simultaneously. R, B, and G move in the opposite direction.	
White Clip				Sets the maximum value of the image signal. Limits signals over a certain value by applying a clip to them.	
		OFF		Disables the white clip function.	
			R/G/B	Sets the maximum value of each of R, G, and B.	
			Master	Links R, G, and B and sets them simultaneously.	
Auto Iris				Controls the iris of the lens in accordance with the brightness of the subject. Additional adjustments are possible with the iris adjustment knob even when using the auto focus.	
		ON		Enables the auto iris function.	
			Pattern	Selects the weighted pattern of auto iris in accordance with the screen position.	

Paint menu		Switch	Control item	Description	
Menu	Submenu				
Mono Color		ON		Applies a special affect to make the screen mono color.	
		ON		Enables the mono color function.	
			Saturation	Sets the saturation.	
			Hue	Sets the hue.	
Noise Suppression		ON		Controls the white noise on the screen. Over control results in deterioration of fine resolution sensitivity.	
			Noise Sup	Enables the Noise Suppression function. Adjusts the control level.	
Flicker Reduction		ON		This is a function for Super Motion. It allows you to reduce flickering on the screen caused by the relationship between temporal fluctuations of the light source and the frame frequency of the camera.	
		ON		Enables the Flicker Reduction function.	
			Power Line Frequency	Sets the power line frequency of the lighting.	
			Area	When there are multiple light sources, the screen is divided into areas and flickering is reduced in each area. This sets that area division method.	
			Average Time	Sets the time constant of the parameter used for correction.	
			Gain	This is the correction level.	
Gamma/knee		ON		This is image level at which correction starts to be applied.	
		OFF		This page contains the gamma, black gamma, and knee.	
		Gamma Off		Disables gamma correction.	
			Gamma	This value corresponds to the master of gamma adjustment.	
		Black Gamma On		Enables the black gamma function.	
			Blk Gamma	This value corresponds to the master of black gamma adjustment.	
		Knee Off		Disables knee correction. Auto Knee is also disabled.	
			Knee Point	This value corresponds to the master of knee point adjustment.	
Low Key Saturation			Knee Slope	This value corresponds to the master of knee slope adjustment.	
		Auto Knee On		Enables the auto knee function.	
		ON		Allows adjustment of the saturation of dark sections.	
			ON	Enables the low key saturation function.	
Knee Saturation			Range	Sets the range for which low key saturation is performed.	
			Low K Sat	Sets the saturation level.	
		ON		Enables the knee saturation function.	
Gamma Table			Knee Sat	Sets the correction level.	
		ON		Allows you to select the curve for gamma correction.	
		Standard	Standard		Uses a standard gamma curve.
				Standard	Allows you to select a type of standard gamma curve.
		Gamma OFF		Disables gamma correction.	
		Hyper	Hyper		Uses gamma to completely reproduce the dynamic range of the camera including the high-luminance parts.
				Hyper	Allows you to select a type of hyper gamma curve.
		Gamma OFF		Disables gamma correction.	
Special	Special		Allows you to select the gamma that emulates film and other gamma.		
		Special	Allows you to select a type of special gamma curve.		
Gamma OFF		Disables gamma correction.			

Paint menu		Switch	Control item	Description
Menu	Submenu			
	User	User		Allows you to select gamma created with CVP File Editor and other gamma.
			User	Allows you to select a type of user gamma curve.
		Gamma OFF		Disables gamma correction.
Cross Color Suppression				Reduces the cross color of VBS. This can only be used when an SD camera is connected.
		ON		Enables the Cross Color Suppression function.
			CCS	Sets the control level.

File Menu

Screen display example (when “Scene” is selected in the File menu, and then “Scene Transfer” is selected)



- ❶ Press this to return to the previous menu screen.
- ❷ Press a button to select the transfer destination and source. Press the **File ID** button to enter a File ID, press the **Delete** button to delete a file.
- ❸ This displays a list of scene files that can be transferred. When there are multiple files, turn the SELECT knob to select the scene file that will be transferred.
- ❹ Message area
This displays files and the operation information.

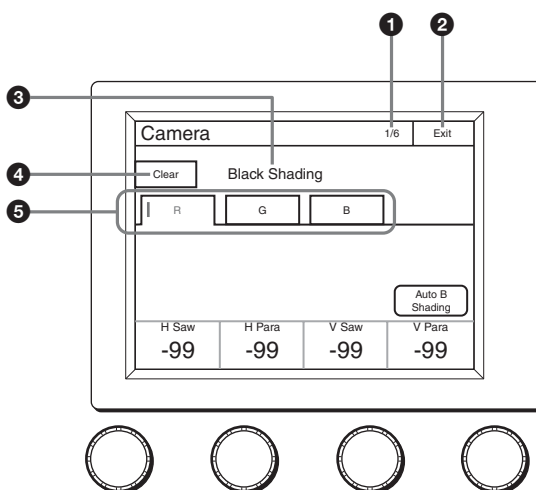
Menu items

File menu		Control item	Function
Menu	Submenu		
Reference	Ref Store		Registers a reference file.
	Ref Transfer	CAM → MS	Transfers a reference file from a camera to a “Memory Stick Duo.”
		MS → CAM	Transfers a reference file from a “Memory Stick Duo” to a camera.
		File ID	Sets a File ID in a reference file of a “Memory Stick Duo.”
Adjusting	(Paint menu items)	Allows you to adjust the save items.	
Scene	Store/Recall		Registers or reads a scene file.
	Scene Transfer	CAM → MS	Transfers a scene file from a camera to a “Memory Stick Duo.”
		MS → CAM	Transfers a scene file from a “Memory Stick Duo” to a camera.
		File ID	Sets a File ID in a scene file of a “Memory Stick Duo.”
		Delete	Deletes a scene file from a “Memory Stick Duo.”
Adjusting	(Paint menu items)	Allows you to adjust the save items.	
Lens	Lens Store		Registers a lens file.
	Lens Select	Change Name	Changes the lens name.
		Select File	Selects a lens file.
	Auto White		Adjusts the auto white balance.
Adjusting	(Paint menu items)	Allows you to adjust the save items.	
OHB	OHB Store		Registers an OHB file.
	Auto W Shading		Adjusts the auto white shading.
	Auto B Shading		Adjusts the auto black shading.
	Auto White		Adjusts the auto white.
	Auto Black		Adjusts the auto black.
	Adjusting	Black Shading	Adjusts the black shading.
		White Shading	Adjusts the white shading.
Black Set		Adjusts the black set.	
Matrix		Adjusts the OHB matrix.	

File menu		Control item	Function
Menu	Submenu		
Custom Matrix	Store		Registers a Custom Preset Matrix file.
	Transfer	CAM → MS	Transfers a Custom Preset Matrix file from a camera to a “Memory Stick Duo.”
		MS → CAM	Transfers a Custom Preset Matrix file from a “Memory Stick Duo” to a camera.
		File ID	Sets a File ID in a Custom Preset Matrix file of a “Memory Stick Duo.”
		Delete	Deletes a Custom Preset Matrix file from a “Memory Stick Duo.”
Adjusting	(Paint menu items)	Allows you to adjust the save items.	
User Gamma	User Gam Transfer	MS → CAM	Transfers a user gamma file from a “Memory Stick Duo” to a camera.
		Delete	Allows you to delete a user gamma file from a “Memory Stick Duo.”
	Adjusting	(Paint menu items)	Selects a Gamma Table.
Memory Stick	Format		Formats a “Memory Stick Duo.”

Maintenance Menu

Screen display example (when “Camera” is selected in the Maintenance menu, and then “Black Shading” is selected)



- ❶ This indicates the page number/total number of pages. When this indication is displayed, you can turn the SELECT knob to change the page.
- ❷ Press this to return to the previous menu screen.
- ❸ This displays the current setting item name. After **Clear** is pressed to light it, you can clear all of the setting values.
- ❹ Press this to clear the setting items.
- ❺ Press a tab to switch to the setting items.

Menu items

Maintenance menu				
Menu	Secondary menu	Submenu	Switch	Description
Camera				These are the maintenance items related to camera heads.
	Black Shading			Corrects black shading in images.
		R	Auto B Shading	This is the Auto Black Shading. It automatically adjusts each of the RGB, HV, and SAW/PARA parameters. Auto adjustment may be additionally performed with 2D Black Shading depending on the camera. If 2D Black Shading is not saved to the OHB file, it will not be saved when the power of the camera is turned off.

Maintenance menu		Submenu	Switch	Control item	Description		
Menu	Secondary menu						
				H SAW	Corrects spots in the left and right directions of the R channel in a linear fashion.		
				H PARA	Corrects spots in the horizontal direction in relation to the center part of the R channel in a parabolic fashion.		
				V SAW	Corrects spots in the up and down directions of the R channel in a linear fashion.		
				V PARA	Corrects spots in the vertical direction in relation to the center part of the R channel in a parabolic fashion.		
		G	Auto B Shading	This is the Auto Black Shading. It automatically adjusts each of the RGB, HV, and SAW/PARA parameters. Auto adjustment may be additionally performed with 2D Black Shading depending on the camera. If 2D Black Shading is not saved to the OHB file, it will not be saved when the power of the camera is turned off.			
				H SAW	Corrects spots in the left and right directions of the G channel in a linear fashion.		
				H PARA	Corrects spots in the horizontal direction in relation to the center part of the G channel in a parabolic fashion.		
				V SAW	Corrects spots in the up and down directions of the G channel in a linear fashion.		
		B	Auto B Shading	This is the Auto Black Shading. It automatically adjusts each of the RGB, HV, and SAW/PARA parameters. Auto adjustment may be additionally performed with 2D Black Shading depending on the camera. If 2D Black Shading is not saved to the OHB file, it will not be saved when the power of the camera is turned off.			
				H SAW	Corrects spots in the left and right directions of the B channel in a linear fashion.		
				H PARA	Corrects spots in the horizontal direction in relation to the center part of the B channel in a parabolic fashion.		
				V SAW	Corrects spots in the up and down directions of the B channel in a linear fashion.		
		White Shading		R	Auto W Shading	This is the Auto White Shading. It automatically adjusts each of the RGB, HV, and SAW/PARA parameters. Auto adjustment may be additionally performed with 3D White Shading depending on the camera. If 3D White Shading is not saved to the OHB file, it will not be saved when the power of the camera is turned off.	
						H SAW	Corrects spots in the left and right directions of the R channel in a linear fashion.
						H PARA	Corrects spots in the horizontal direction in relation to the center part of the R channel in a parabolic fashion.
						V SAW	Corrects spots in the up and down directions of the R channel in a linear fashion.
				G	Auto W Shading	This is the Auto White Shading. It automatically adjusts each of the RGB, HV, and SAW/PARA parameters. Auto adjustment may be additionally performed with 3D White Shading depending on the camera. If 3D White Shading is not saved to the OHB file, it will not be saved when the power of the camera is turned off.	
						H SAW	Corrects spots in the left and right directions of the G channel in a linear fashion.
						H PARA	Corrects spots in the horizontal direction in relation to the center part of the G channel in a parabolic fashion.
						V PARA	Corrects spots in the vertical direction in relation to the center part of the G channel in a parabolic fashion.
Corrects sensitivity shading in images.							

Maintenance menu		Submenu	Switch	Control item	Description		
Menu	Secondary menu						
				V SAW	Corrects spots in the up and down directions of the G channel in a linear fashion.		
				V PARA	Corrects spots in the vertical direction in relation to the center part of the G channel in a parabolic fashion.		
		B		Auto W Shading		This is the Auto White Shading. It automatically adjusts each of the RGB, HV, and SAW/PARA parameters. Auto adjustment may be additionally performed with 3D White Shading depending on the camera. If 3D White Shading is not saved to the OHB file, it will not be saved when the power of the camera is turned off.	
				H SAW	Corrects spots in the left and right directions of the B channel in a linear fashion.		
				H PARA	Corrects spots in the horizontal direction in relation to the center part of the B channel in a parabolic fashion.		
				V SAW	Corrects spots in the up and down directions of the B channel in a linear fashion.		
		White		R/G/B	Changes primary color (R, G, and B) sensitivity and corrects color temperature.		
				AWB		This is the Auto White Balance. Pressing this button while shooting a white subject automatically corrects the color temperature so that the white areas of the subject appear correctly.	
		Black Set		Black Set		R/G/B	Makes adjustments so that the black level of each color does not change when the master gain is changed.
				Black Set	ABB	Adjusts the correction level of each of R, G, and B.	
						This is the Auto Black Balance. It automatically adjusts the R black and B black so that no color is added to black when the lens is closed. Depending on the model of camera, Black Set is also automatically adjusted at the same time. When this is executed, the lens is automatically closed.	
				Black		R/G/B	Adjusts the black level of each of R, G, and B.
						Master	Links R, G, and B and adjusts them simultaneously.
				ABB		This is the Auto Black Balance. It automatically adjusts the R black and B black so that no color is added to black when the lens is closed. Depending on the model of camera, Black Set is also automatically adjusted at the same time. When this is executed, the lens is automatically closed.	
		OHB Matrix			ON	Absorbs variations in color reproduction by the optical head block (optical unit).	
Enables the OHB matrix function. This switch enables the function to be turned ON/OFF simultaneously in accordance with individual matrix settings.							
User 1/2				Sets the OHB User Matrix correction factor individually. This is the first page of the settings.			
				R-G	Corrects the signal of the R channel in accordance with the difference between the signals of the R channel and G channel.		
				G-B	Corrects the signal of the G channel in accordance with the difference between the signals of the G channel and B channel.		
User 2/2				B-R	Corrects the signal of the B channel in accordance with the difference between the signals of the B channel and R channel.		
				Sets the matrix correction factor individually. This is the second page of the settings.			
				R-B	Corrects the signal of the R channel in accordance with the difference between the signals of the R channel and B channel.		
				G-R	Corrects the signal of the G channel in accordance with the difference between the signals of the G channel and R channel.		

Maintenance menu		Submenu	Switch	Control item	Description	
Menu	Secondary menu					
		Multi		B-G	Corrects the signal of the B channel in accordance with the difference between the signals of the B channel and G channel.	
				Phase	Selects the hue to adjust.	
				Hue	Changes the hue of colors within the hue range selected with Phase.	
				Saturation	Changes the saturation of colors within the hue range selected with Phase.	
				All Clear	Returns the factors of all ranges of Multi Matrix to their initial states.	
		ATW Setting				Adjusts the Auto Tracing White balance.
				ATW		Enables the ATW function.
					Speed	Sets the convergence speed.
		Microphone Gain				Sets the sensitivity of the microphones mounted on the camera head.
					Ch1	Sets the sensitivity of microphone 1.
					Ch2	Sets the sensitivity of microphone 2.
		Lens				These are the maintenance items related to the lens.
			Auto Iris Settings			Sets various parameters of the auto iris.
					Level	Sets the convergence level of the auto iris. The higher the value the brighter it becomes.
			APL Ratio	Sets the responsiveness to detailed bright parts of the subject. The higher the value the nearer it becomes to the average value, resulting in unresponsiveness to detailed parts.		
			Iris Gain	This is the response speed of the auto iris. The higher the value the faster the response, but hunting becomes more likely to occur.		
			Pattern	Sets the detection area of the auto iris.		
		Auto Iris		Enables the auto iris function.		
	Flare			Corrects the phenomenon of black in the subject becoming bright and color being added due to the influence of the optical system. Adjusting this in the plus direction reduces the black level of the corresponding color in accordance with the brightness of the subject. Be careful not to overcorrect this.		
			OFF	Disables the flare correction function.		
			R/G/B	Adjusts the correction level of each of R, G, and B.		
			Master	Links R, G, and B and adjusts them simultaneously.		
	V Mod Saw			Corrects color shading in the vertical direction caused by the lens or optical system.		
			OFF	Disables the V Modulation Saw correction function.		
			R/G/B	Adjusts the correction level of each of R, G, and B.		
			Master	Links R, G, and B and adjusts them simultaneously. R, B, and G move in the opposite direction.		
		D.shade Comp		Automatically corrects V Mod Shading in accordance with the state of the lens. Operation is only possible for compatible lens.		
	ALAC			This is the Auto Lens Aberration Compensation. It automatically reduces the chromatic aberration or magnification when using a compatible lens. When the function is stopped or a compatible lens is not attached, "Stop" is displayed on the screen.		
			ON	Enables the ALAC function.		

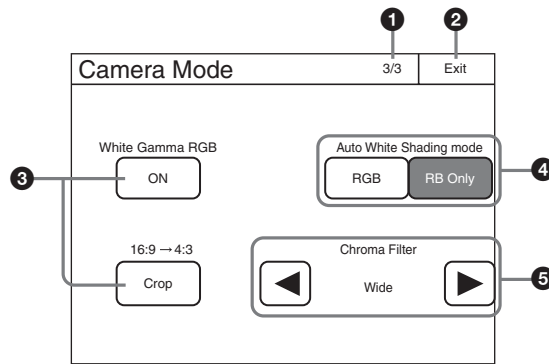
Maintenance menu		Submenu	Switch	Control item	Description
Menu	Secondary menu				
CCU					These are the maintenance items related to the CCU.
	Phase				When a synchronization signal is input to the CCU, this allows you to set the phase in relation to that signal.
		H			Sets the phase of H.
			H Step		Adjusts the phase of the H direction.
			H Course		Coarsely adjusts the phase of the H direction.
			H Fine		Finely adjusts the phase of the H direction. This can only be used when an SD camera is connected.
		SC			Adjusts the phase of the subcarrier.
			SC Phase		Adjusts the phase of the VBS subcarrier.
			BF Phase		Adjusts the phase of the burst flag. This can only be used when an SD camera is connected.
	Monitor Output				Sets the marker for monitor output.
			4:3 Marker		Places a 4:3 marker on a 16:9 image for monitor output of the CCU.
				Gate Marker	Sets the brightness of the gate marker (skin gate, etc.).
			4:3 Mod		Darkens the outside of a 4:3 area within an 16:9 image for monitor output of the CCU.
				Moduration Level	This is the level with which to darken with 4:3 Mod.
	3D Monitor				Sets the 3D Monitor output of the CCU.
			Select		Select Left Camera, Right Camera or 3D Monitor for the 3D Monitor output.
			Mode		Sets the display mode during the 3D Monitor output setting.
				Border Line	Sets whether to display the border lines when the 3D Monitor Mode is set to split mode.
			CAM Ctrl		Sets the camera(s) to be controlled from the control panel: Left Camera, Right Camera, or both.
SD Adj					These are the maintenance items for down converter output.
	SD Detail				This is the contour correction function for down converter output.
			OFF		Disables the SD Detail function.
		1/3			This is the first page of SD Detail adjustment.
			Level		This the contour correction level. Adjusting this in the plus direction makes pictures sharp, and adjusting this in the minus direction makes pictures soft.
			Limiter		Makes adjustments so that contour correction is not greater than a set level to prevent overcorrection by strong contour correction when shooting subjects with large luminance differences. Adjusting this in the plus direction also enables clipping of objects with small luminance differences.
			Crisp		Makes adjustments so that signals with small luminance differences are considered to be noise and correction is not applied to them in order to reduce the emphasizing of also the contours of noise by the contour correction function. Adjusting this in the plus direction results in luminance differences for which contour correction is not performed becoming large and improvements in S/N sensitivity, but resolution sensitivity deteriorates.
			Level Dep		Contour correction is not applied to the dark parts and S/N sensitivity is increased in order to reduce the emphasizing of also the contours of noise by the contour correction function. Adjusting this in the plus direction results in contour correction not being applied up to a brighter level.

Maintenance menu		Submenu	Switch	Control item	Description	
Menu	Secondary menu					
		2/3			This is the second page of SD Detail adjustment.	
				H/V Ratio	Adjusts the horizontal and vertical ratio of contour correction.	
				Frequency	Adjusts the center frequency of contour correction.	
		3/3		Detail Comb	Reduces cross color noise by applying the comb filter to contour correction signals. Adjusting this in the plus direction reduces cross color noise, but resolution sensitivity deteriorates. This can only be used when an SD camera is connected.	
				W Limiter	This is the limiter correction for detail signals added in the white direction.	
				B Limiter	This is the limiter correction for detail signals added in the black direction.	
	SD Gamma			SD M Gamma	This is the gamma correction for down converter output. Adjusts SD gamma.	
	SD Matrix		OFF		This is the linear matrix correction for down converter output. Disables the SD matrix function. This switch enables the function to be turned ON/OFF simultaneously in accordance with individual matrix settings.	
		User 1/2	ON		Sets the SD matrix correction factor individually. This is the first page of User Matrix. When User Matrix is enabled, the ON mark appears on the very left of the tab. Enables the User Matrix function.	
				R-G		Corrects the signal of the R channel in accordance with the difference between the signals of the R channel and G channel.
				G-B	Corrects the signal of the G channel in accordance with the difference between the signals of the G channel and B channel.	
				B-R	Corrects the signal of the B channel in accordance with the difference between the signals of the B channel and R channel.	
		User 2/2	ON		Sets the SD matrix correction factor individually. This is the second page of User Matrix. When User Matrix is enabled, the ON mark appears on the very left of the 1/2 tab. Enables the User Matrix function. This is the same switch as 1/2.	
				R-B		Corrects the signal of the R channel in accordance with the difference between the signals of the R channel and B channel.
				G-R	Corrects the signal of the G channel in accordance with the difference between the signals of the G channel and R channel.	
				B-G	Corrects the signal of the B channel in accordance with the difference between the signals of the B channel and G channel.	
		Multi	ON		If Multi Matrix which allows you to change the color reproduction for each hue divided into 16 is enabled, the ON mark appears on the very left of the tab. Enables the SD Multi Matrix function.	
				Phase		Selects the hue to adjust.
				Hue		Changes the hue of colors within the hue range selected with Phase.
				Saturation		Changes the saturation of colors within the hue range selected with Phase.
			All Clear		Returns the factors of all ranges of Multi Matrix to their initial states.	
		Preset			Selects the matrix provided in advance. When Preset Matrix is enabled, the ON mark appears on the very left of the tab.	
				ON		Enables SD Preset Matrix.

Maintenance menu		Submenu	Switch	Control item	Description	
Menu	Secondary menu					
	Interpolation			H	Selects the filter for the horizontal direction.	
				V	Selects the filter for the vertical direction.	
					Selects the filter for the down converter. Each of the frequency characteristics differ.	
	Cross Color Reduction			ON		Reduces the cross color of VBS output.
						Disables the Cross Color Reduction function.
					Coring	Sets cross color elimination to not work for detail signals.
					CC Reduction	This is the level for cross color elimination.
	Aspect				SD Aspect Ratio	Sets the aspect for the down converter. 16:9 Squeeze: Outputs without converting the aspect. This is for a 16:9 monitor. Letter Box: Inserts a black band at the top and bottom and then outputs. This is for a 4:3 monitor. 4:3 Crop: Crops to 4:3. This is for a 4:3 monitor.
					Letter Box	Sets the aspect of Letter Box.
					Center Lock	Crops the center part when cropping to 4:3.
					Crop Position	Sets the position for when cropping to 4:3.
RPN				R/G/B	Corrects the RPN. This can only be set when in engineer mode. Select the channel to correct.	
				Enter	Confirms settings.	
				H Cursor	Outputs the H cursor.	
				H Cursor	Confirms the H cursor position.	
				V Cursor	Outputs the V cursor.	
				V Cursor	Confirms the V cursor position.	
				H/V Cursor	Outputs the H and V cursors.	
Auto Setup					This function is available when connecting F65.	
				APR	Starts the APR function of the camera.	

Config Menu

Screen display example (when “Mode” is selected after selecting “Camera” (Camera Config) in the Config menu)



- ❶ This indicates the page number/total number of pages. When this indication is displayed, you can turn the SELECT knob to change the page.
- ❷ Press this to return to the previous menu screen.
- ❸ Press this to light the button and turn ON each of the functions.
- ❹ Press either of the buttons to select a mode.
- ❺ Press ◀/▶ to select a filter.

Menu items

Config Menu		Item	Option	Function
Menu	Submenu			
Camera				Sets the camera.
	Mode	White Setup Mode		Selects the white value for when an auto setup is performed or an item is cleared.
			AWB	Restores the auto white balance value obtained last time.
			Auto Level	Restores the reference file value.
		White Gamma RGB		Selects the reference for white and gamma of the auto setup.
			ON	R, G, and B are independent when this is ON, and all of R, G, and B use the G channel as the reference when this is OFF.
		Auto White Shading Mode		Sets the operation mode of auto white shading.
			RGB	Matches all of the R, G, and B channels so that they become even. A white subject with uniform luminance and no color shading must be used in this mode.
			RB Only	Matches the R and B channels to the G channel.
		Camera FAN Mode		Sets the operation mode of the camera fan.
			Maximum	Sets the number of revolutions of the camera fan to the maximum number.
			Auto1	Controls the number of revolutions of the fan in accordance with the internal temperature of the camera. This is the optimal mode for reducing any rise in the internal temperature.
			Auto2	Controls the number of revolutions of the fan in accordance with the internal temperature of the camera. This is the optimal mode for reducing the operation sound of the fan.
			Minimum	Sets the number of revolutions of the camera fan to the minimum number. However, if the internal temperature exceeds a specified value, the number of revolutions are increased.
		16:9 → 4:3		Crops a 16:9 picture to 4:3.
			Crop	Executes cropping when Crop is ON.

Config Menu		Item	Option	Function	
Menu	Submenu				
		V Detail Creation Mode		Select the generation method for V Detail.	
			RGB Nam	Uses the V Detail generated from each of the R, G, and B channels that has the largest amplitude. This increases resolution sensitivity, but S/N sensitivity may deteriorate.	
			G	Generates V Detail from the G channel.	
			R+G	Generates V Detail from a signal combining R and G.	
			Y	Generates V Detail from the luminance signal.	
			V Detail Control Mode		Sets control for when the Detail H/V Ratio knob is turned.
				H/V	Moves H Detail and V Detail in the opposite direction in response to movement of the knob.
				V Only	Adjusts V Detail only.
			Test2 Mode		Selects the signal of Test2.
				3step	Selects a convex test waveform.
				10step	Selects a step test waveform.
			Chroma Filter		Sets the band for the chroma component. Full is the same band as the signal standard, and the band becomes narrower above that.
			720P Acquisition		Selects the 720P generation mode. This can only be set when a camera with a switching function is connected.
				Super Sampling	This is 720P using the super sampling system.
				V-SOP	This is 720P using the V-SOP system.
	CAM Menu Control	–	See “To control the CAMERA/BPU menu” (page 78).		
CCU				Sets the CCU.	
	Mode	GenLock Mode		Selects the type of signal using synchronization.	
				HD	This is the HD3 value SYNC.
				SD	This is BBS.
			Bars Character		Sets the characters to add to color bars signals.
				On	Add characters to color bars signals.
				Edit	Opens the character edit screen.
			Chroma		Turns OFF the VBS chroma signal.
				Off	Adds the chroma component to VBS.
			Return Settings	–	See “To set the return input settings” (page 78).
		Channel ID		Sets the Channel ID display for direct output.	
			Channel ID ON	Turns ON the Channel ID display for direct output.	
		CCU Menu Control	–	See “To control the CCU menu” (page 78).	
	HDFX			Performs the HDFX200 settings.	
			IF Select		Selects the cable connecting method.
				Triax	Triax cable connection
				Fiber	Fiber cable connection
RCP				See “RCP menu items” below.	
RCP Assignment			Panel No.	Selects the target cameras to be controlled by the control panel. This can only be set when in MCS mode. In addition, all connected devices must support the RCP assignment function.	
Multi Format				Sets the video format for each CCU output.	
BPU Multi Format				Sets the video format for each BPU output.	

Config Menu		Item	Option	Function
Menu	Submenu			
3D System				Sets the 3D System using the HDFA-200.
	3D Mode		3D Mode	Turns ON/OFF the 3D Mode.
	Channel ID			Sets the Channel ID display for direct output.
		Channel ID ON		Turns ON the Channel ID display for direct output.
	3D CAM Control			Sets the camera to be controlled from the control panel in 3D System.
		CAM Ctrl		Sets the camera(s) to be controlled from the control panel: Left Camera, Right Camera, or both.

RCP menu items

Menu	Item	Option	Function
Customize	–	Menu Customize	Changes the custom paint configuration. This can only be set when in engineer mode.
	–	SW Customize	Assigns functions to spare switches. This can only be set when in engineer mode.
	–	Custom Menu SW	Assigns functions to custom buttons. This can only be set when in engineer mode.
	–	VR Customize (RCP-1500/1501 only)	Assigns functions to spare adjustment knobs. This can only be set when in engineer mode.
	–	Standard Ind	Selects the standard state. The LED at the top of the corresponding indication lights green in the standard state, and amber in the non-standard state. It remains off when not even one standard state is selected. This can only be set when in engineer mode.
	–	Status Customize	Changes the status screen configuration. This can only be set when in engineer mode.
	–	Detail VR (RCP-1500/1501 only)	Changes the function assignment of the Detail knob. This can only be set in engineer mode.

Menu	Secondary menu	Submenu	Switch	Control item	Description
Customize	Status Customize				Changes the status screen configuration. This can only be set in engineer mode.
			Status Display OFF		Turns OFF the status screen display.
				Menu Type	Selects the status screen type.
			Knob Customize		Sets the usable adjustment knob according to the status screen type.
			Knob1 - 4		Opens the menu which sets the function assignments of adjustment knobs.

Menu	Secondary menu	Submenu	Switch	Control item	Description	
Display/Sound	Sound				Sets the volume and type.	
			OFF		Sets no sound to be emitted from the speakers.	
		Call				Sets the call sound.
				Sound Test		Confirms the set call sound.
				CALL Sound		Disables the call sound.
					Volume	Adjusts the volume of the call sound.
					Sound	Selects the type of the call sound.
					Master	Simultaneously sets the volume for all sounds emitted from the speakers.

Menu	Secondary menu	Submenu	Switch	Control item	Description
		Touch			Sets the operation sound for when a switch on the LCD is pressed.
				Sound Test	Confirms the set operation sound.
				Touch Sound	Disables the operation sound.
				Volume	Adjusts the volume of the operation sound.
				Sound	Selects the type of the operation sound.
				Master	Simultaneously sets the volume for all sounds emitted from the speakers.
		SW			Sets the operation sound for when a switch button is pressed.
				Sound Test	Confirms the set operation sound.
				Switch Sound	Disables the operation sound.
				Volume	Adjusts the volume of the operation sound.
				Sound	Selects the type of the operation sound.
				Master	Simultaneously sets the volume for all sounds emitted from the speakers.
		RE			Sets the operation sound for when an adjustment knob is turned.
				Sound Test	Confirms the set operation sound.
				RE Sound	Disables the operation sound.
				Volume	This is the volume of the operation sound.
				Sound	Selects the type of the operation sound.
				Master	Simultaneously sets the volume for all sounds emitted from the speakers.
	LED				Sets the LED brightness.
			Switch		Sets the switch brightness.
			Tally		Sets the tally brightness.
			Other		Sets other LED settings.
			Master		Simultaneously sets the brightness of all items.
	LCD				Adjusts the LCD.
				Bright	Adjusts the brightness of the LCD.
	EL				Adjusts the backlight for illuminating the function names.
			OFF		Turns off the backlight.
			Light Detect		Turns off the backlight in response to the surrounding brightness.
				Detect	Sets the brightness for turning off the backlight.
				Bright	Adjusts the brightness of the backlight.
	Touch Panel				Sets the touch sensor of the LCD.
			Touch Test		Tests the response of the touch sensor.
				Sense	Sets the sensitivity of the touch sensor.

Menu	Item	Option	Function	
Mode	Screen Saver		Sets the screen saver to display on the LCD.	
		ON	Enables the screen saver function.	
		Preview	Displays a preview of the set screen saver.	
		Wait Time	Sets the time from when the last operation was performed until when the screen saver is displayed.	
		Type	Selects the screen saver type.	
	PIX/WF			Sets the operation for when PIX/WF output.
		PIX/WF Syncro		Links RGB selection in the menu and PIX/WF control for when Black Shading and White Shading are adjusted (linked when ON). This can only be set when in engineer mode.
		PIX/WF Control Mode		Sets the control mode of the monitor selection buttons. See <i>"To set PIX/WF operation"</i> (page 42).

Menu	Item	Option	Function
	Matrix Gate	Gate Interlock	When this is turned ON, priority is given to the setting of the control panel for the selection of Multi Matrix Gate when the control panel disables Panel Active or PARA, even if another panel has a different channel selected. This can only be set when in engineer mode.
	Extend Call		The TALLY indicator continues to flash for a while when a call is received.
		ON	Enables Extend Call.
		Time	Sets the flashing duration of the TALLY indicator.
		Mode	Sets the condition for enabling this function.
	Preview		Specifies the output destination for previews. This can only be set when in engineer mode.
	Panel Active	IRIS/MB Active Mode	Sets the IRIS/MB ACTIVE to enable the IRIS only.
VR Setting			See <i>"To change the sensitivity of the adjustment knobs"</i> (page 37).
Date/Time		Date	Sets the date.
		Time	Sets the time.
		Time Zone	Sets the time zone.
Network	Network Info		Displays the network information.
	CNS	Legacy/Bridge/MCS	Sets the CNS.
	LAN I/F	Negotiation	Sets the negotiation operation.
		LAN I/F OFF	Turns OFF the LAN I/F.
		Speed	Sets the network line connection speed.
		Duplex	Sets the network line communication method.
	TCP/IP	IP Address	Sets the IP address.
		Subnet Mask	Sets the subnet mask.
Default GW		Sets the default gateway.	
Information	Version		Displays the version information.
	Network Info		Displays the network information.
	Option Info		Shows the Option Software installation status.
Security	Page Permission	Full Lock	Locks all menu screens.
		View Mode	Locks the menu screens. However, the menus can be viewed.
		Full Paint	Enables the menus such as Paint, Maintenance, and File.
	Item Permission	Ref File Enable	Enables the operation of reference files.
		Lens File Enable	Enables the operation of lens files.
		OHB File Enable	Enables the operation of OHB files.
		Crop Enable	Enables the operation of crop.
		Knee Max Enable	Enables the operation of Knee Max.
		3D Menu Enable	Enables the 3D System settings.
		Custom Matrix Enable	Enables the operation of a Custom Preset Matrix file.
		Auto Setup Enable	Enables the operation of the Auto Setup menu.
	Code Change	Code No.	Registers a security code.
	Engineer Protect	Code Enable	Protects switching to engineer mode with a security code.
	All Preset		Restores all settings to their default states.
Engineer Mode	Switches to engineer mode.		
Option Key			Enables Key code installation of the Option Software.

Menu	Submenu	Control item	Function
Backup	Menu Customize	Store	See <i>"To save changed setting values to a "Memory Stick Duo" (page 48).</i>
		Recall	
		File ID	
		Delete	
	SW Customize	Store	
		Recall	
		File ID	
		Delete	
	Panel Config	Store	
		Recall	
		File ID	
		Delete	
	Network Config	Store	
		Recall	
		File ID	
		Delete	

To set the return input settings

Select **[Return Settings]** in the CONFIG menu to set the formats of return signals from the CCU.

Return Settings				Exit
	Input	Aspect	LB Mode	
Return 1	1080/59.94i (PsF)			
Return 2	NTSC	Squeeze		
Return 3	NTSC	Letter Box	16:8	
Return 4	1080/59.94i (PsF)			

Use the following procedure to set the settings.

- 1 Press any one of **[Return-1]** to **[Return-4]**. The screen for specifying the format of the return signal appears.

Return Settings				Exit
Return 1	Input	Aspect	LB Mode	
Return 2				
Return 3				
Return 4				
				Enter Cancel

- 2 Set the format of the return signal.
 - [Input]**: Specifies the input signal.
 - [Aspect]**: Specifies the aspect ratio. This can only be set if you specified SD signal for **[Input]**.
 - [LB Mode]**: Specify the display mode for letter box if you specified [Letter Box] for **[Aspect]**.

The setting values that can be selected for each setting value are displayed in a list. Turn the adjustment knob on the very left to move the cursor to select a setting value.

- 3 Press **[Enter]**. The settings for the format of the return signal are changed.
- 4 Repeat steps 1 to 3 if you also want to set the remaining return signals.

To control the CCU menu

Select **[CCU Menu Control]** in the CONFIG menu to remotely control the menu displayed for image output of the CCU from this control panel.

CCU Menu Control		Exit
Menu Disp	Enter	
		Cancel

- Use **[Menu Disp]** to display or hide the CCU menu. The setting menu appears when this button is pressed even when CHARACTER display is enabled for image output of the CCU. In such a case, closing the setting menu redisplay the CHARACTER display.
- Press **[Enter]** to switch to the setting mode and confirm changing of the setting value.
- Press **[Cancel]** to end the setting mode and cancel changing of the setting value.
- Turn the adjustment knob on the very right to move the cursor in the CCU menu and change a setting value.

To control the CAMERA/BPU menu

When you select **[CAM Menu Control]** in the CONFIG menu, you can control the menu obtained by the camera head or the BPU from the unit displaying the image output of the CCU.

CAM Menu Ctrl			Exit
Menu	Dsplay	Enter	
Menu Overlay	BPU Select	Cancel	

- Use **[CAM Menu Overlay]** to display the camera/BPU menu switching the CCU character display.
- Use **[BPU Select]** to select whether to display the camera menu or the BPU menu in the image output of the CCU when the **[CAM Menu Overlay]** button is lit. When BPU is not used, this button is disabled.
- Use **[Display]** to display or hide the camera/BPU operation state.
- Use **[Menu]** to display or hide the camera/BPU menu. The **[Display]** and **[Menu]** buttons are equivalent to the toggle switch for the menu display in the camera head or the front panel of the BPU.

To operate while displaying the camera/BPU menu

- Press **[Enter]** to switch to the setting mode and confirm changing of the setting value.
- Press **[Cancel]** to end the setting mode and cancel changing of the setting value.
- Turn the adjustment knob on the very right to move the cursor in the camera/BPU menu and change a setting value.

To change RCP assignments

Selecting **RCP Assignment** in the Config menu allows you to change RCP assignments.

Note

The following RCP assignment function is only available in MCS mode. In addition, the function is not available when an MSU-900/950 is set as the master.

RCP Assignment		Exit		
<table border="1"><tr><td>Panel-01</td><td>Camera-01</td></tr></table>		Panel-01	Camera-01	Set
		Panel-01	Camera-01	
		Cancel		
		All Camera		
Reset				
		↻		

- 1 Use the “Camera” knob (second knob from the right) to select the camera number for which you want to control.**

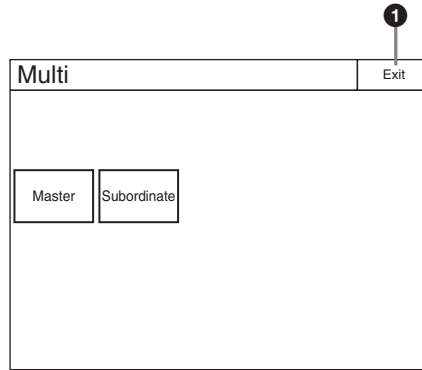
If you select **All Camera**, all cameras will be displayed. (When **All Camera** is not selected, only devices with established connections to the Master of the MCS mode are displayed.)

- 2 To return all RCP assignments to their standard state, press **Reset**.**

- 3 Press **Set**.**

The setting changes are applied.

Multi Menu



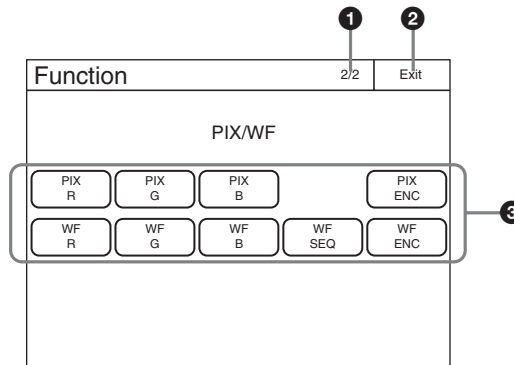
① Press this to return to the previous menu screen.

Menu items

Item	Function
Master	Sets this unit to master mode.
Subordinate	Sets this unit to subordinate mode.

Function Menu

Screen display example (when PIX/WF is selected)



① This indicates the page number/total number of pages. When this indication is displayed, you can turn the SELECT knob to change the page.

② Press this to return to the previous menu screen.

③ Press a button to light it and select the output signal or turn ON the shutter.

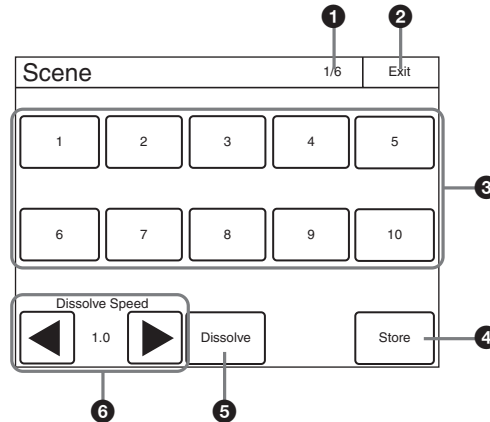
Menu items

Menu	Item	Function
Optical Level	CAM	Displays the optical communication reception level of the camera.
	CCU	Displays the optical communication reception level of the CCU.
Optical Level (when connecting the separate camera)	CCU → BPU	Displays the optical communication reception level from CCU to BPU.
	BPU → CCU	Displays the optical communication reception level from BPU to CCU.
	BPU → CAM	Displays the optical communication reception level from BPU to the camera.
	CAM → BPU	Displays the optical communication reception level from the camera to BPU.

Menu	Item	Function
PIX/WF	PIX (R/G/B/ENC)	Selects the OUTPUT signal of PIX of CCU. R/G/B: Outputs one of the R, G, and B signals (or a combination of multiple signals). ENC: Outputs an encoded signal.
	WF (R/G/B/SEQ/ENC)	Selects the OUTPUT output signal of WF of CCU. R/G/B: Outputs one of the R, G, and B signals (or a combination of multiple signals). SEQ: Monitors the waveforms of the three signals R, G, and B in sequential mode. ENC: Outputs an encoded signal.

Scene Menu

Screen display example (when connected to the cameras of the 32 scene files)



- ❶ This indicates the page number/total number of pages. When this indication is displayed, you can turn the SELECT knob to change the page.
- ❷ Press this to return to the previous menu screen.
- ❸ Select and press the number of a scene file to access the registered file. When you access a file, the number of the accessed scene file lights. If you press the same number, the state returns to that before you accessed the file.
- ❹ Press **Store** and then press the desired scene file number to register the file. When file registration is finished, **Store** turns off.
- ❺ When you press **Dissolve** to turn it on, the picture changes gradually when the scene file is accessed. (When off, the picture changes instantly.)
- ❻ Set the approximate time to change the picture while **Dissolve** is on. (The larger the number the longer it takes for the picture to change.)

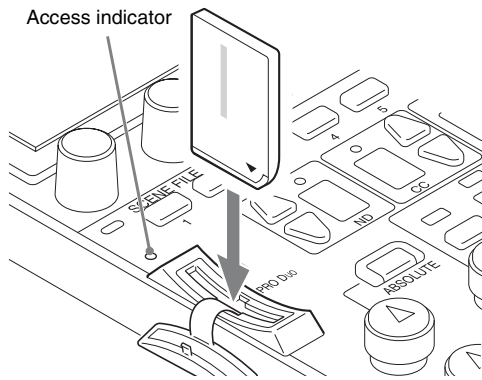
About “Memory Stick Duo”

You can use “Memory Stick Duo” and “Memory Stick PRO Duo” media with this unit.
Unit operations have been checked using “Memory Stick Duo” media up to 8 GB.
This unit is equipped with PrFILE for Memory Stick manufactured by eSOL Co.,Ltd.

Inserting a “Memory Stick Duo”

Open the “Memory Stick Duo” slot cover, and insert the “Memory Stick Duo” into the “Memory Stick Duo” slot as shown, until it clicks into place and the access (status) indicator lights red.

When the “Memory Stick Duo” is properly inserted, the indicator changes from red to green.



Note

Confirm the orientation of the “Memory Stick Duo” before inserting it. If there is some resistance when you insert it or it does not fit properly, the “Memory Stick Duo” may be turned around or upside down. Do not force the “Memory Stick Duo” into the slot. Confirm the sides and ends of the “Memory Stick Duo” before inserting it again.

To remove a “Memory Stick Duo”

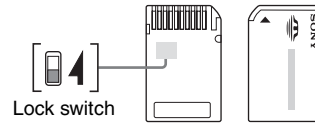
Confirm that the access indicator is not lit red, then lightly push in the “Memory Stick Duo” to release the lock.

Note

If the access indicator is lit red, data is being read from or written to the “Memory Stick Duo.” In such cases, do not shake the unit or subject it to shock. In addition, do not turn off the power to the unit or remove the “Memory Stick Duo.” Doing so may damage the data.

Protecting Saved Data

To prevent accidental erasure of important data, use the LOCK switch on the “Memory Stick Duo.”
Slide the switch upward to the write protect position.
This ensures that you cannot inadvertently overwrite data on the “Memory Stick Duo.”




Note

If you are using a “Memory Stick Duo” that does not have a LOCK switch, be careful not to inadvertently overwrite or erase your data.

Precautions

- Do not attach anything other than the supplied label to the “Memory Stick Duo” labeling position.
- Attach the label so that it does not stick out beyond the labeling position.
- Carry and store the “Memory Stick Duo” in its case.
- Do not touch the connector of the “Memory Stick Duo” with anything, including your finger or metallic objects.
- Do not strike, bend, or drop the “Memory Stick Duo.”
- Do not disassemble or modify the “Memory Stick Duo.”
- Do not allow the “Memory Stick Duo” to get wet.
- Do not use or store the “Memory Stick Duo” in a location that is:
 - Extremely hot, such as in a car parked in the sun
 - Under direct sunlight
 - Very humid or subject to corrosive substances
- To prevent data loss, make backups of data frequently. In no event will Sony be liable for any loss of data.
- Unauthorized recording may be contrary to the provisions of copyright law. When you use a “Memory Stick Duo” that has been pre-recorded, be sure that the material has been recorded in accordance with copyright and other applicable laws.

- “Memory Stick” and  are trademarks of Sony Corporation.
- “Memory Stick Duo” and MEMORY STICK DUO are trademarks of Sony Corporation.
- “Memory Stick PRO Duo” and MEMORY STICK PRO DUO are trademarks of Sony Corporation.

Specifications

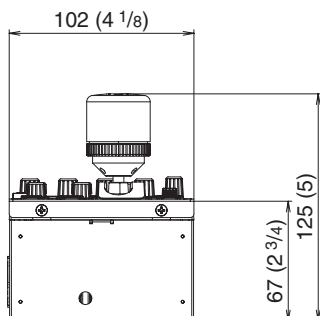
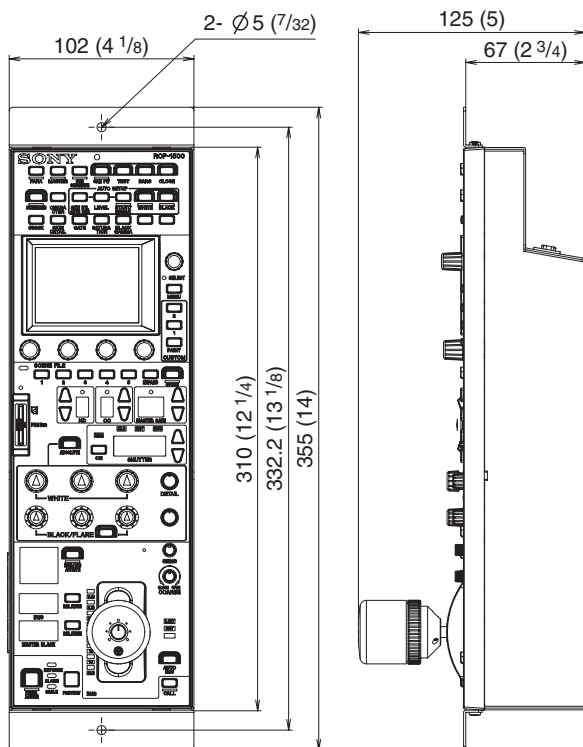
General

Power supply	10.5 V to 30 V DC
Power consumption	4 W
Operating temperature	5 °C to 40 °C (41 °F to 104 °F)
Weight	RCP-1500/1501: 1.8 kg (3 lb. 15 oz.) RCP-1530: 1.6 kg (3 lb. 8 oz.)

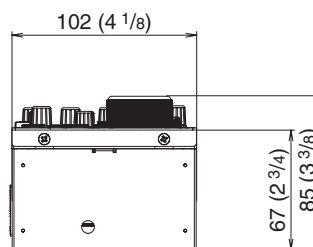
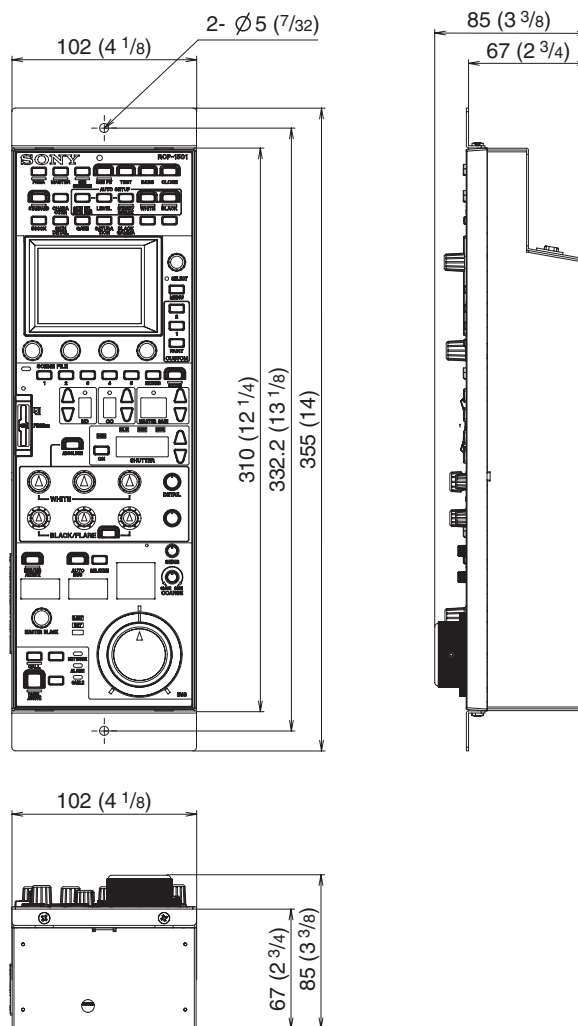
External dimensions

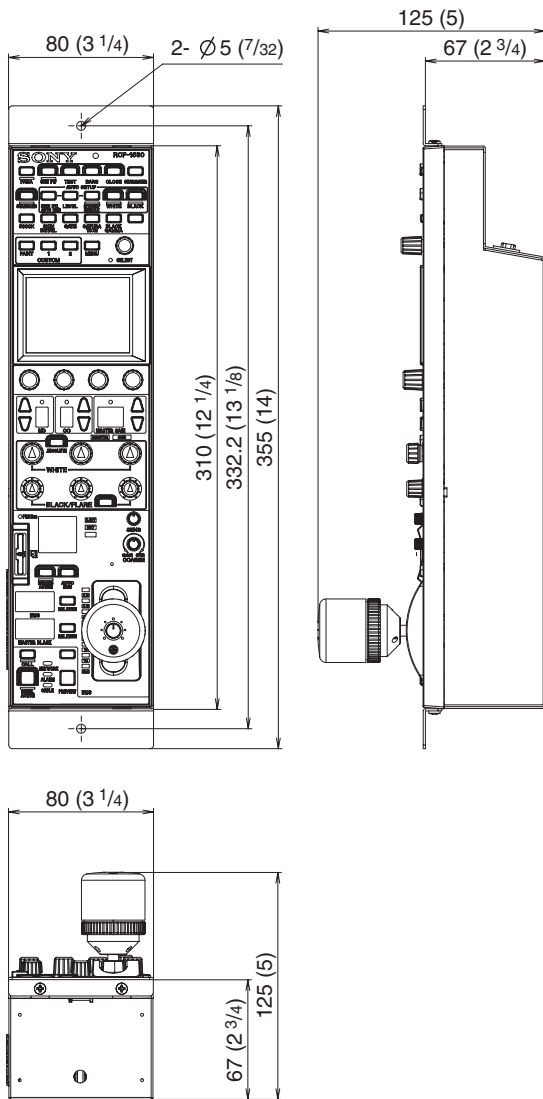
Unit: mm (inches)

RCP-1500



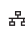
RCP-1501



**Note**

Always verify that the unit is operating properly before use. SONY WILL NOT BE LIABLE FOR DAMAGES OF ANY KIND INCLUDING, BUT NOT LIMITED TO, COMPENSATION OR REIMBURSEMENT ON ACCOUNT OF THE LOSS OF PRESENT OR PROSPECTIVE PROFITS DUE TO FAILURE OF THIS UNIT, EITHER DURING THE WARRANTY PERIOD OR AFTER EXPIRATION OF THE WARRANTY, OR FOR ANY OTHER REASON WHATSOEVER.

Inputs/outputs**REMOTE**

	8-pin RJ-45 (1)
CCU/CNU	8-pin multi-connector, female (1)
AUX (RCP-1500/1501 only)	8-pin multi-connector, female (1)
EXT I/O	9-pin, female (1)

Supplied accessories

Operation guide (1)
Operation manual (CD-ROM) (1)

Optional accessories

External I/O connector JAE DE-9PF-N 1-568-182-11
CCA-5-3 remote cable (3 m)
CCA-5-10 remote cable (10 m)
CCA-5-30 remote cable (30 m)

Design and specifications are subject to change without notice.

The material contained in this manual consists of information that is the property of Sony Corporation and is intended solely for use by the purchasers of the equipment described in this manual.

Sony Corporation expressly prohibits the duplication of any portion of this manual or the use thereof for any purpose other than the operation or maintenance of the equipment described in this manual without the express written permission of Sony Corporation.

RCP-1500 (SY)
RCP-1501 (SY)
RCP-1530 (SY)
4-169-285-07(1)

Sony Corporation

<http://www.sony.net/>

© 2010