



CL-6

Controller Accessory for 664 & 688 Mixers

User Guide

Legal Notices

Product specifications and features are subject to change without prior notification.

Copyright © 2015 Sound Devices, LLC. All rights reserved.

This product is subject to the terms and conditions of a software license agreement provided with the product, and may be used in accordance with the license agreement.

This document is protected under copyright law. An authorized licensee of this product may reproduce this publication for the licensee's own personal use. This document may not be reproduced or distributed, in whole or in part, for commercial purposes, such as selling copies or providing educational services or support.

This document is supplied as a technical guide. Special care has been taken in preparing the information for publication; however, since product specifications are subject to change, this document might contain omissions and technical or typographical inaccuracies. Sound Devices, LLC does not accept responsibility for any losses due to the user of this guide.

Trademarks

The "wave" logo and USBPre are registered trademarks; FileSafe, PowerSafe, SuperSlot, MixAssist, QuickBoot, and Wave Agent are trademarks of Sound Devices, LLC. Mac and OS X are trademarks of Apple Inc., registered in the U.S. and other countries. Windows and Microsoft Excel are registered trademarks of Microsoft Corporation in the U.S. and other countries. All other trademarks herein are the property of their respective owners.

FCC Notice

This device complies with part 15 of the FCC Rules. Operation is subject to the following two conditions: (1) This device may not cause harmful interference, and (2) This device must accept any interference received, including interference that may cause undesired operation.

FCC Part 15.19(a)(3)

Manual Conventions

Symbol	Description
>	This symbol is used to show the order in which you select menu commands and sub-options, such as: Main Menu > Audio indicates you press the Menu button for the Main Menu, then scroll to and select Audio by pushing the Control Knob.
+	A plus sign is used to show button or keystroke combinations. For instance, Ctrl+V means to hold the Control key down and press the V key simultaneously. This also applies to other controls, such as switches and encoders. For instance, MIC+HP turn means to slide and hold the MIC/TONE switch left while turning the Headphone (HP) encoder. METERS+SELECT means to hold the METERS button down as you press the SELECT encoder.
ⓘ	A note provides recommendations and important related information. The text for notes also appears in a different color and italicized.
⚠	A cautionary warning about a specific action that could cause harm to you, the device, or cause you to lose data. Follow the guidelines in this document or on the unit itself when handling electrical equipment. The text for cautionary notes also appears in a different color, bold and italicized.

CL-6 User Guide • Rev 1-A • 19 June 2015

This document is distributed by Sound Devices, LLC in online electronic (PDF) format only, but may be purchased in printed form. E-published &/or printed in the USA.

www.sounddevices.com

support@sounddevices.com

Sound Devices, LLC

E7556 Road 23 and 33

Reedsburg, Wisconsin 53959 USA

Direct: +1 (608) 524-0625

Toll Free: (800) 505-0625

Fax: +1 (608) 524-0655

Revision History

This table provides the revision history of this guide.

Rev#	Date	Firmware Version	Description
1-A	June 2015	v1.00	Initial Official Publication

CL-6 Input Controller

The CL-6 input controller is an optional, input-expansion accessory available for use with Sound Devices 688 or 664.

The CL-6 adds dedicated front panel controls, including six full-sized fader controls, PFL control, and high-pass filter controls for inputs 7 through 12. Other features include large, daylight viewable LED track meters with track arm indicators for tracks L, R, X1 and X2, plus additional recording controls.

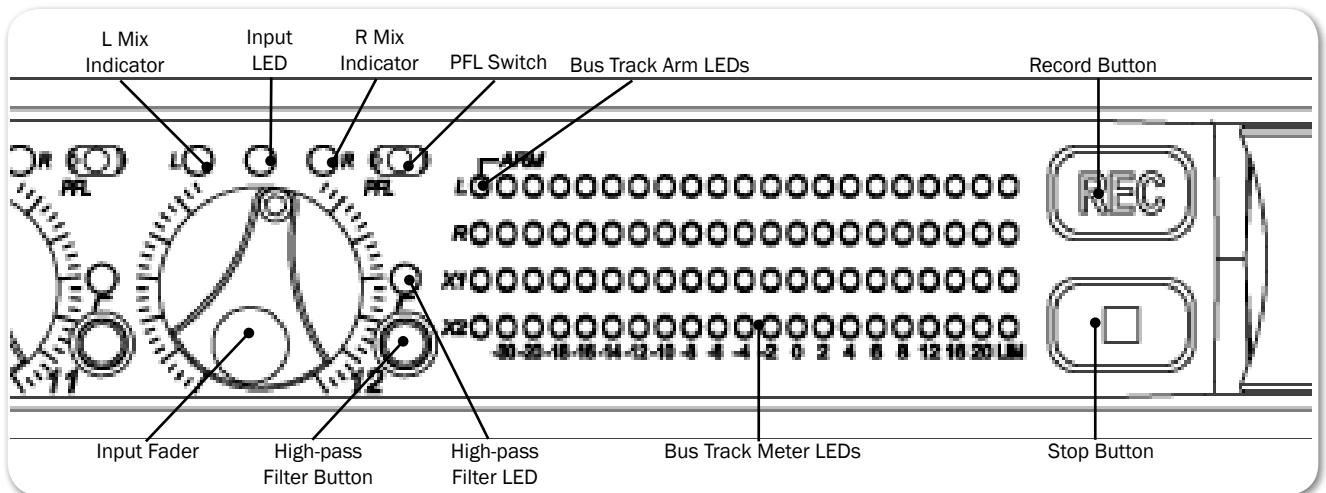
① *Instructions for attaching the CL-6 to a mixer are provided in the CL-6 Quick Start Guide, shipped with the accessory. The guide is also available as a PDF from the Sound Devices [Downloads](#) web page.*

Topics in this section include:

- ▶ Front Panel
- ▶ Top and Bottom Panels
- ▶ Trim Levels (688 only)
- ▶ Trim Levels (664 only)
- ▶ Using High-pass Filters
- ▶ Quick Routing of L and R Tracks
- ▶ Specifications

Front Panel

The front panel has the following features:

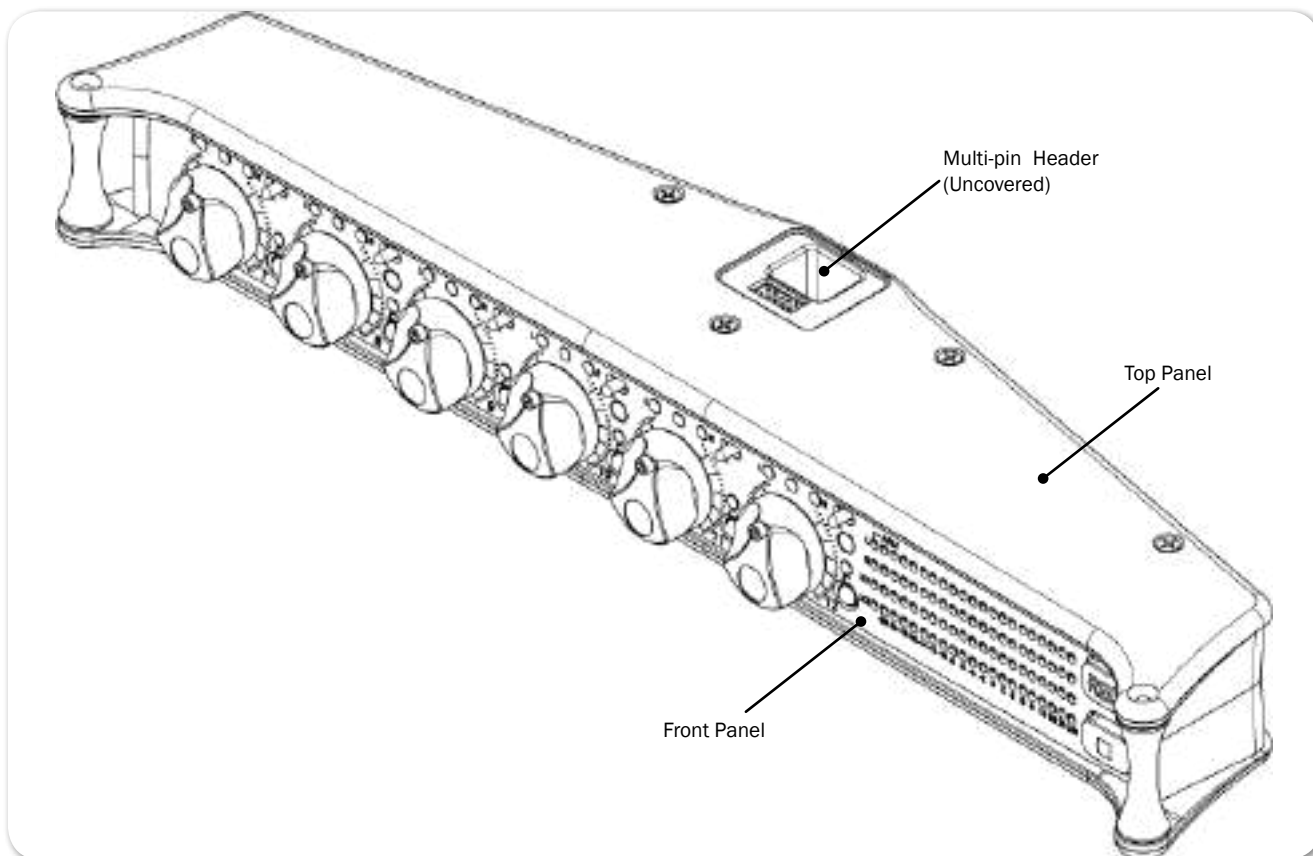


FEATURE	DESCRIPTION
Input Fader	Primary control for adjusting the fader levels of inputs 7-12. Ranges from OFF to +16 dB. Nominal setting is in the middle (0 dB).
High-pass Filter Button	Toggles activation of high-pass filter, per channel.
High-pass Filter LED	Illuminates amber to indicate high-pass filter is engaged, per channel.

FEATURE	DESCRIPTION
L Mix Indicator	Illuminates blue when the input has been routed to the left bus.
Input LED	Indicates input signal activity. Illuminates in various colors and intensities to show signal level and activity. <ul style="list-style-type: none"> • Green = signal presence (pre-fader) • Yellow = limiter activity (pre- and post-fade) • Red = signal overload/clipping (pre- and post-fade) • Flashing yellow = input PFL (solo)
R Mix Indicator	Illuminates blue when the input has been routed to the right bus.
PFL Switch	Activates PFL (slide left) and displays Input Settings screen (slide right) for respective inputs 7-12.
Bus Track Arm LEDs	Illuminates red to indicate the track is armed for recording.
LED Bus Track Meters	Displays metering levels for L, R, X1, and X2 tracks.
Record Button	The Transport Control on the mixer operates normally when the CL-6 is attached. This alternate, backlit Record button provides an additional control point for starting a recording.
Stop Button	This alternate, backlit Stop button provides an additional control point for stopping a recording.

Top and Bottom Panels

The top panel (shown) and bottom panel of the CL-6 provide multi-pin header connections for attaching a ribbon cable between the accessory and mixer.



Trim Levels (688 only)

When the CL-6 is attached to the 688, the mini-faders on the 688 become dedicated trim controls for inputs 7-12.

To adjust the trim level for inputs 7-12:

- ▶ Turn the appropriate mini-fader on the 688. The trim gain is displayed on the mixer's LCD via the Input Settings screen.

Trim Levels (664 only)

When the CL-6 is attached to the 664, the mixer's SELECT encoder may be used to adjust trim for inputs 7-12 via the Input Settings screen.

To adjust the trim level for inputs 7-12:

1. Slide the input's PFL switch on the CL-6 to the right to access the Input Settings screen on the mixer's LCD.
2. Turn the SELECT encoder to adjust trim for the input. The trim gain is displayed on the mixer's LCD.

Using High-pass Filters

The High-pass Filter button on the CL-6 is a toggle, which turns the high-pass filter off or on to a predefined setting of 150 Hz.

- ① *On the 688, the high-pass filter may be adjusted to other frequencies via the Input settings; however, if the button on the CL-6 is used, high-pass filtering is turned on at a set frequency of 150 Hz.*

To turn on an input's high-pass filter:

- ▶ Press the High-pass Filter button associated with the input.
The High-pass Filter LED illuminates amber when high-pass filtering is on.

- ① *Press the button again to turn off the high-pass filter.*

Quick Routing of L and R Tracks

With the CL-6, you can quickly route an input to the left or right mix bus.

To route an input to L or R mix bus:

1. Hold down the input's High-pass Filter button.
2. Then, with that button held down, do either of the following:
 - ▶ Slide the Input Select switch left to route the input to the L mix bus.
 - ▶ Slide the Input Select switch right to route the input to R mix bus.

The L and R Mix Indicator LEDs illuminate blue when the input is routed to the respective mix bus.

Specifications

The following specifications apply to the CL-6.

NAME	DESCRIPTION
Powering	<ul style="list-style-type: none">• Powered by the mixer or, if attached, the SL-6 powering and wireless system.
Size (H x W x D)	<ul style="list-style-type: none">• 1.75 in x 10.2 in x 2.25 in• 5.3 cm x 32 cm x 19.8 cm
Weight	<ul style="list-style-type: none">• 21.5 oz• 2.21 kg (unpackaged, without batteries)

SOUND DEVICES

Sound Devices, LLC
E7556 Road 23 and 33
Reedsburg, Wisconsin 53959
USA

Phone: +1 (608) 524-0625
Fax: +1 (608) 524-0655

Customer Support

Toll Free: (800) 505-0625

support@sounddevices.com
<http://www.sounddevices.com/support>
<http://forum.sounddevices.com>

Product Information

For more information about products and accessories, visit us on the web at www.sounddevices.com.