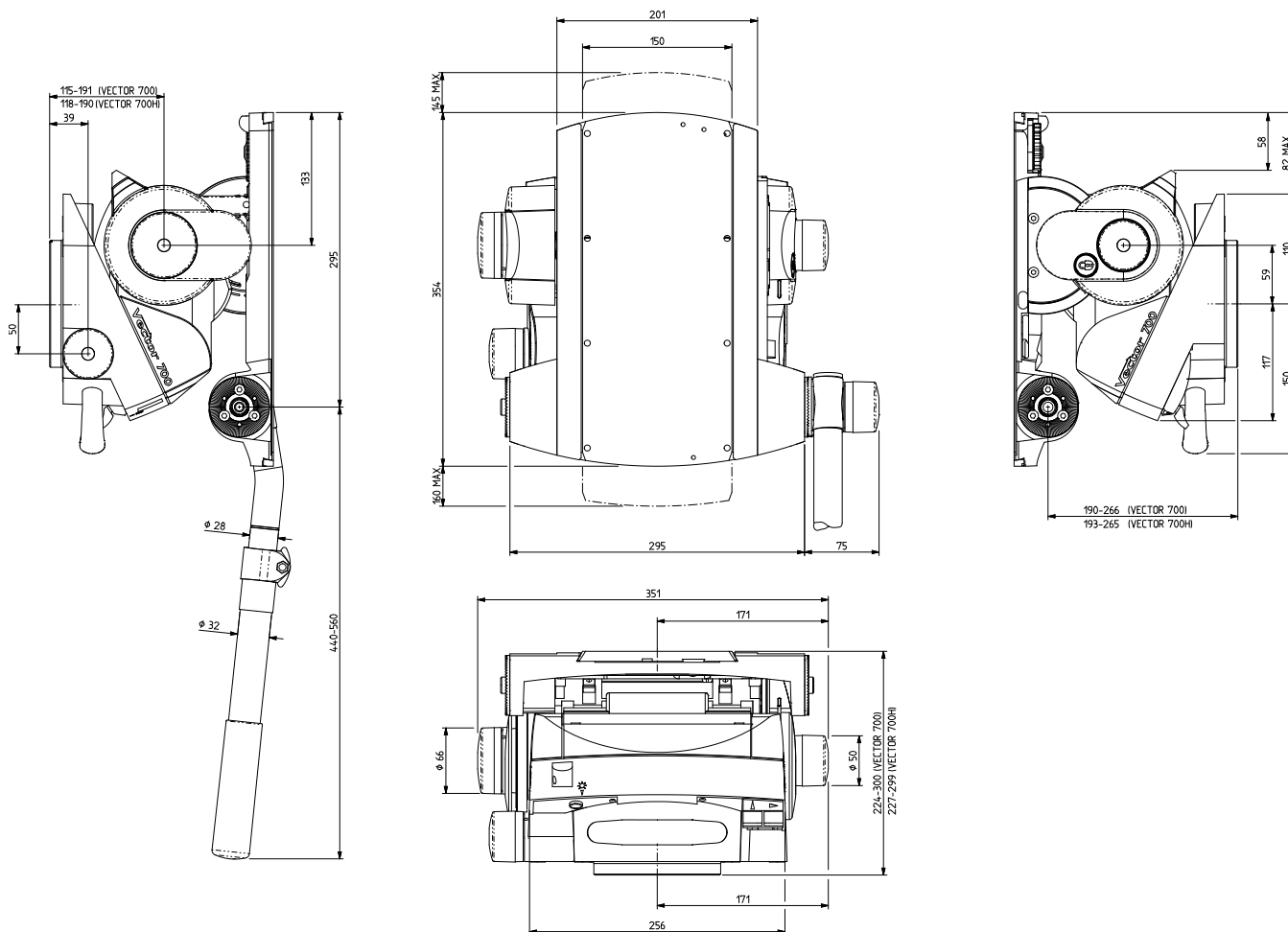


Vector 750 Pan & Tilt Head



Main Assemblies

Vector 750 pan and tilt head	V4034-0001
Wedge adaptor	3389-3
Camera wedges for wedge adaptor:	
Short wedge	3391-3
Standard wedge	3053-3
Telescopic pan bar and clamp	3219-82
Short fixed pan bar and clamp	3219-94
Short fixed pan bar and clamp	3219-93

Technical Data

Fixing bolt	L054-714
Washer - for fixing bolt	L602-122
Spanner - for head bolts	J551-001
Lightweight Mitchell adaptor	3103-3
Heavy-duty Mitchell adaptor - for Vinten pedestal mounting in conjunction with Hi-hat adaptor Part No. 3055-3	3724-3
Adaptor plate kit - for use on Hawk and Teal pedestals	3354-900SP
Level bubble illumination unit battery - 9V, 6LR61 (PP3, 6AM6, MN1604, E-BLOCK or equivalent)	C550-023

Technical Specifications

Maximum payload	75 kg (165.3 lb)
Payload Centre of Gravity height range	80 mm (3 in.) to 250 mm (10 in.)
Weight (complete with pan bar and wedge adaptor)	19.15 kg (42.1 lb)
Overall dimensions	
Height (with wedge adaptor)	
Minimum balance setting	255 mm (10.0 in.)
Maximum balance setting	355 mm (14.0 in.)
Length (without pan bar)	355 mm (14.0 in.)
Width (without pan bar)	350 mm (13.8 in.)
Width (with two pan bars)	445 mm (17.5 in.)
Tilt range	±52°
Pan range	360°
Operational temperature range	-40°C to 60°C
Battery type	PP3

CHINA
 Room 1806, Hua Bin Building
 No.8 Yong An Dong Li
 Jian Guo Men Wai Ave
 Chao Yang District
 Beijing, P.R.China 1000222
 Tel: +86 10 8528 8748
 Fax: +86 10 8528 8749

FRANCE
 171, Avenue des Grésillions
 92635 GENNEVILLIERS Cedex
 France
 Tel: +33 820 821 336
 Fax: +33 825 826 181

GERMANY
 -Gebäude 16-
 Planiger Straße 34
 55543 Bad Kreuznach
 Germany
 Tel: +49 671 / 483 43 - 30
 Fax: +49 671 / 483 43 - 50

JAPAN
 P.A. Bldg. 5F
 3-12-6 Aobadai
 Meguro-ku Tokoyo 153-0042
 Japan
 Tel: +81 3 5456 4155
 Fax: +81 3 5456 4156

SINGAPORE
 6 New Industrial Road
 #02-02 Hoe Huat Industrial Building
 Singapore 536199
 Tel: +65 6297 5776
 Fax: +65 6297 5778

UK
 Western Way
 Bury St. Edmunds
 Suffolk IP33 3TB
 UK
 Tel: +44 1284 752121
 Fax: +44 1284 750560
 Sales Fax: +44 1284 757929

USA
 709 Executive Blvd
 Valley Cottage
 NY 10989
 USA
 Tel: +1 845 268 0100
 Fax: +1 845 268 0113

2701 N. Ontario St
 Burbank
 CA 91504
 USA
 Tel: +1 818 847 8666
 Fax: +1 818 847 1205